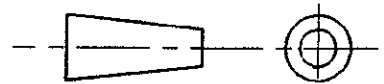
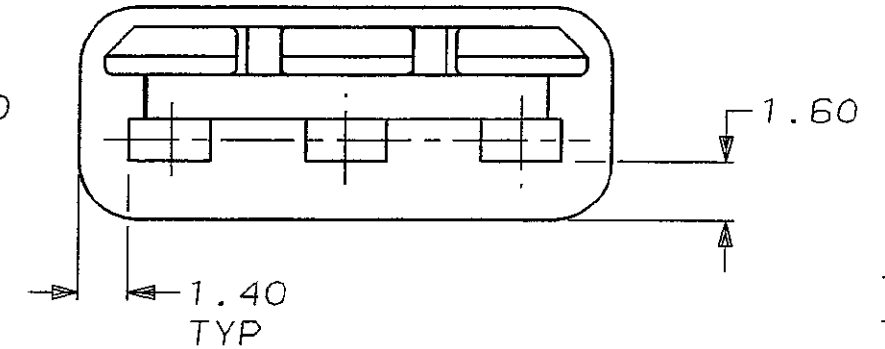
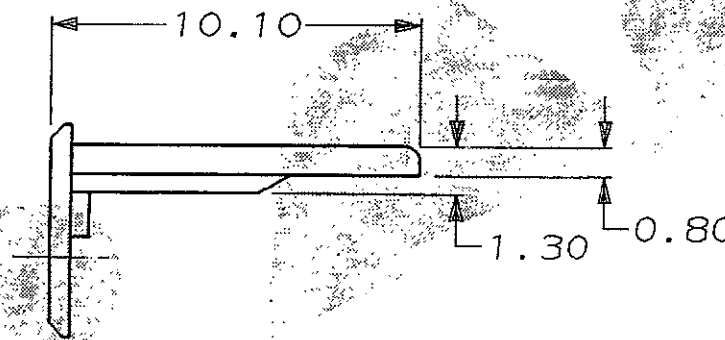
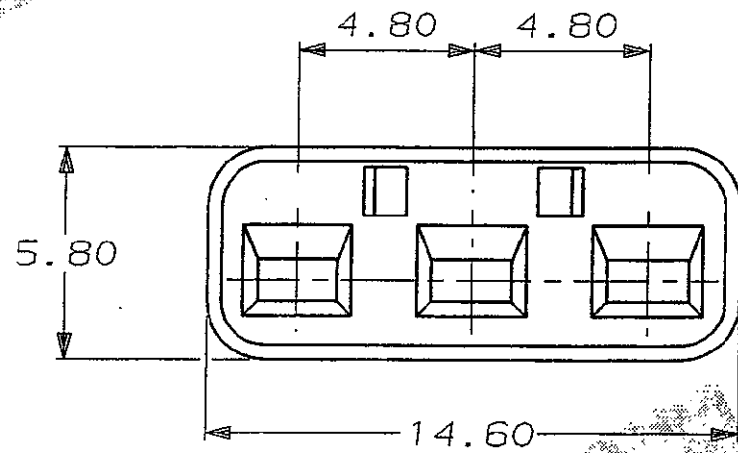
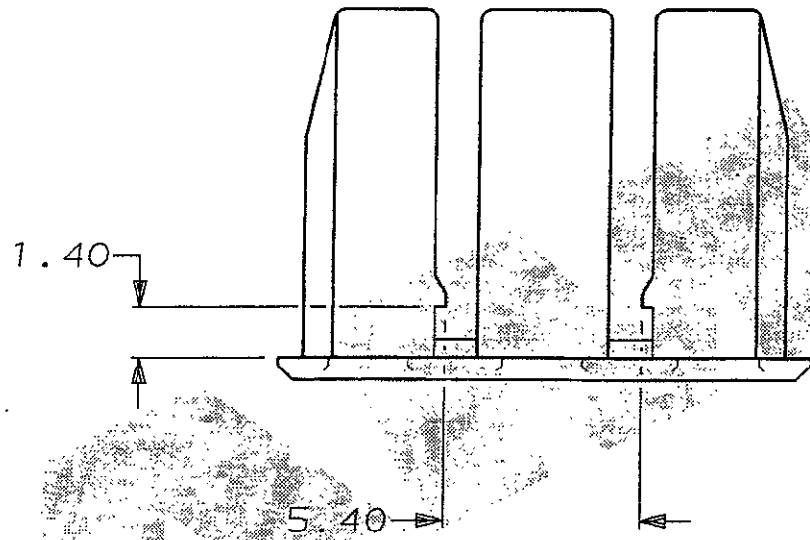


DO NOT SCALE

DIMENSIONS IN MM.



C.A.D. FILE CODE
S. C345256.



NOTE

THIS PART IS USED ON Pt.No. 344273-1

YELLOW		NYLON 66		345256-1	
COLOUR		MATERIAL		PART NUMBER	
CUSTOMER DWG FOR REFERENCE ONLY			© COPYRIGHT 1989 BY AMP OF GREAT BRITAIN LTD. ALL INTERNATIONAL RIGHTS RESERVED. ALL PRODUCTS MAY BE COVERED BY BRITISH AND FOREIGN PATENTS AND/OR PATENTS PENDING.		
TOLERANCES UNLESS OTHERWISE STATED :			DR. R. RUNAGALL. 05/12/89		
DEC ± 0.5			CH. D.R. TERRY. APP. R. SIMMONS.		
ANGLES ± 1°			AMP of Great Britain Ltd. TERMINAL HOUSE STANMORE MIDD.		
NAME A/BACKOUT FOR 3 WAY REC. HSG. ECONOSEAL 3 LOW CURRENT					
REV	APPROVED	ECN	DATE	SCALE	SHEET
0	REL. FOR PRODUCTION	C5590	10/08/90	5/1 E A3	DWG.No. C345256
					REV A 1/1