

THIS DRAWING AND THE INFORMATION SET FORTH HERE-ON ARE THE PROPERTY OF TYCO ELECTRONICS CORPORATION, AND ARE TO BE HELD IN TRUST AND CONFIDENCE. PUBLICATION, DUPLICATION, DISCLOSURE, OR USE FOR ANY PURPOSE NOT EXPRESSLY AUTHORIZED IN WRITING BY TYCO ELECTRONICS CORPORATION IS PROHIBITED.

REVISIONS			
LTR	DESCRIPTION	DATE	APPROVED
A	REVISED PER ECN #T-21051	04OCT96	T.SEATON
B	REVISED PER ECN #T-22652	12AUG99	T.SEATON
C	PER ECO-09-002668	Feb/13/09	M. HIGGY

NOTES:

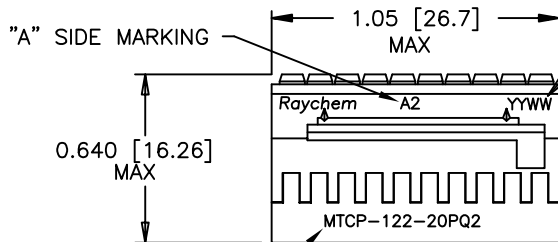
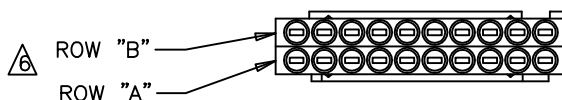
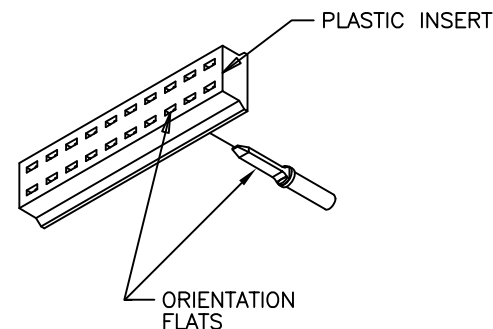
- THIS INSERT IS DESIGNED FOR USE IN TYCO ELECTRONICS CONNECTOR HOUSING MTC100-XH2-XXX AND MTC100Q-XH2-XXX.
- PART DESCRIBED HEREON IS SUPPLIED AS SHOWN. IF CONTACTS, SEALING PLUGS, AND TOOLS ARE DESIRED, THE FOLLOWING MODIFICATION NUMBER IS TO BE ADDED TO THE PART NUMBER ON THE KIT PACKAGING LABEL ONLY:

MOD NO.	DESCRIPTION
022	WITH CONTACTS AND SEALING PLUGS
023	WITH CONTACTS, SEALING PLUGS AND TOOL

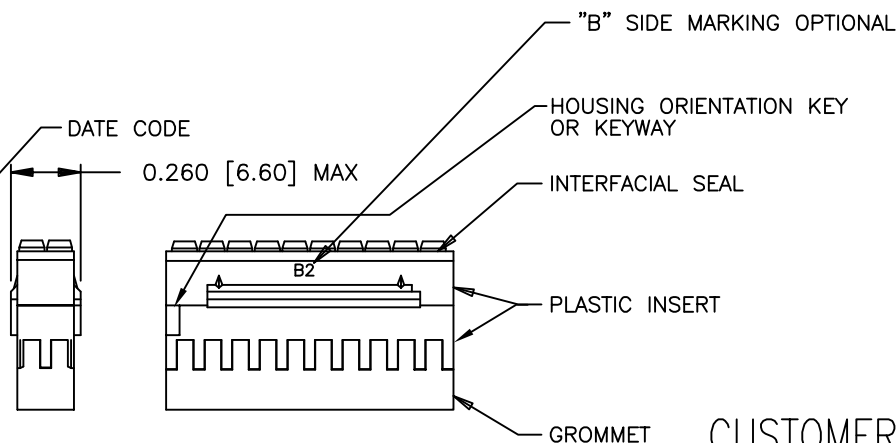
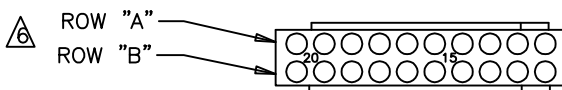
REFERENCE TYCO ELECTRONICS INFORMATION DRAWING D-659-0097 FOR CRIMP TOOLS OR ADDITIONAL CONTACTS, SEALING PLUGS OR TOOLS.

- GROMMET DESIGNED TO SEAL ON WIRES HAVING AN INSULATION DIAMETER OF 0.030 TO 0.065.
- PERFORMANCE:
THIS PRODUCT MEETS THE REQUIREMENTS OF TYCO ELECTRONICS SPECIFICATION C-6114.
- MATERIALS:
 A) PLASTIC INSERT HIGH GRADE POLYARYLENE THERMOPLASTIC
 B) GROMMET FLUOROSILICONE PER MIL-DLT-25988
 C) INTERFACIAL SEAL FLUOROSILICONE PER MIL-DLT-25988
 D) RETENTION CLIPS (20) COPPER ALLOY 172 PER ASTM B194 (QQ-C-533)
 (INSIDE PLASTIC INSERT)

△ ROWS "A" AND "B" ARE AN INTEGRAL PART OF THE INSERT. ROWS "A" AND "B" ARE IDENTIFIED ON THE SIDE OF THE INSERT AS "A2" AND "B2". "B" SIDE MARKING OPTIONAL.



TE PART NO.



CUSTOMER DRAWING

UNLESS OTHERWISE SPECIFIED DIMENSIONS ARE IN INCHES. METRIC DIMENSIONS ARE IN BRACKETS. DECIMALS .XXX ± .XX ± N/A mm ANGLES .X ± WEIGHT 2.06 g MAX.	DRAWN	DCP	96JUN21	 Tyco Electronics Raychem Interconnect 300 Constitution Drive Menlo Park, CA 94025 U.S.A.	
	CHECKED				
	APPROVED	M. HIGGY	96JUL25	TITLE	2 INCH CONNECTOR INSERT, PIN, SECONDARY, 20 CAVITY, SIZE 22-20 REMOVABLE CONTACT MTC100 SERIES
	CAD NAME	MTCP-122-20PQ2		SIZE	C
THIRD ANGLE PROJECTION			CAGE CODE:	06090	
			DWG. NO.	MTCP-122-20PQ2	
			REV	C	
			DO NOT SCALE THIS DRAWING		
			SHEET 1 OF 1		

If this document is printed it becomes uncontrolled. Check for the latest revision

© 1996-2009 Tyco Electronics Corporation. All rights reserved.

DWG NO. MTCP-122-20PQ2 1