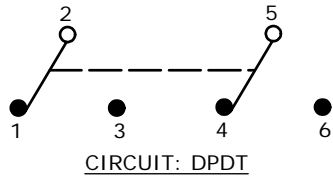
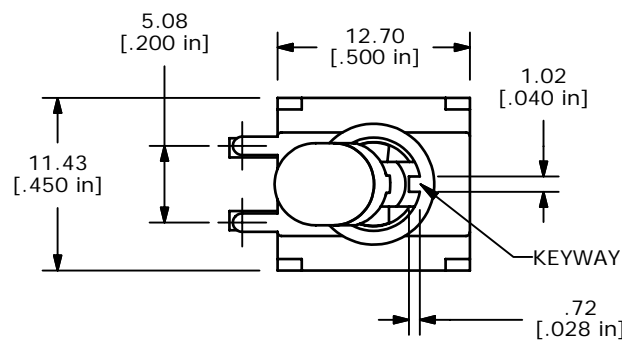


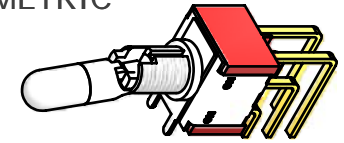
SWITCH FUNCTION		
POS. 1	POS. 2	POS. 3
ON	NONE	ON
2-3, 5-6	OPEN	2-1, 5-4



- NOTE:
1. ALL DIMENSIONS IN MM [INCH]
 2. GENERAL TOLERANCE: X.X=±0.4
X.XX=±0.25
 3. TERMINAL NUMBERS FOR REF ONLY
 - ▲ 4. PLATING MATERIAL: GOLD
 5. RATING: 0.4VA AMX. @20V (AC or DC)
 6. CONTACT RESISTANCE: 10 MILLE-OHMS MAX.
 7. ELECTRIC LIFE: 40,000 MAKE-AND-BREAK CYCLES AT FULL LOAD.
 8. INSULATION RESISTANCE: 1,000 MEGA-OHM MIN.
 9. DIELECTRIC STRENGTH: 1,000 V RMS @SEA LEVEL.
 10. OPERATING TEMP.: -30°C to 85°C
 11. ▲ DENOTES CRITICAL PARAMETER.
 12. 2002/95/EC (ROHS) COMPLIANT
 13. HARDWARE TO BE SHIPPED BULK
T100000 - HEXNUT - QTY 2
T100011 - LOCKWASHER - QTY 1
T100015 - LOCK RING - QTY 1



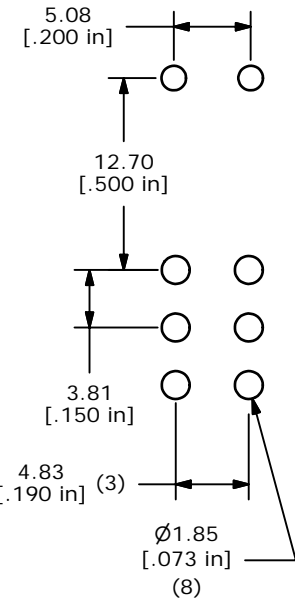
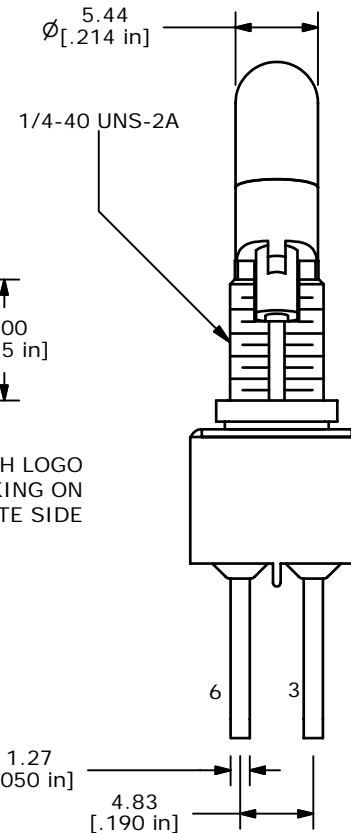
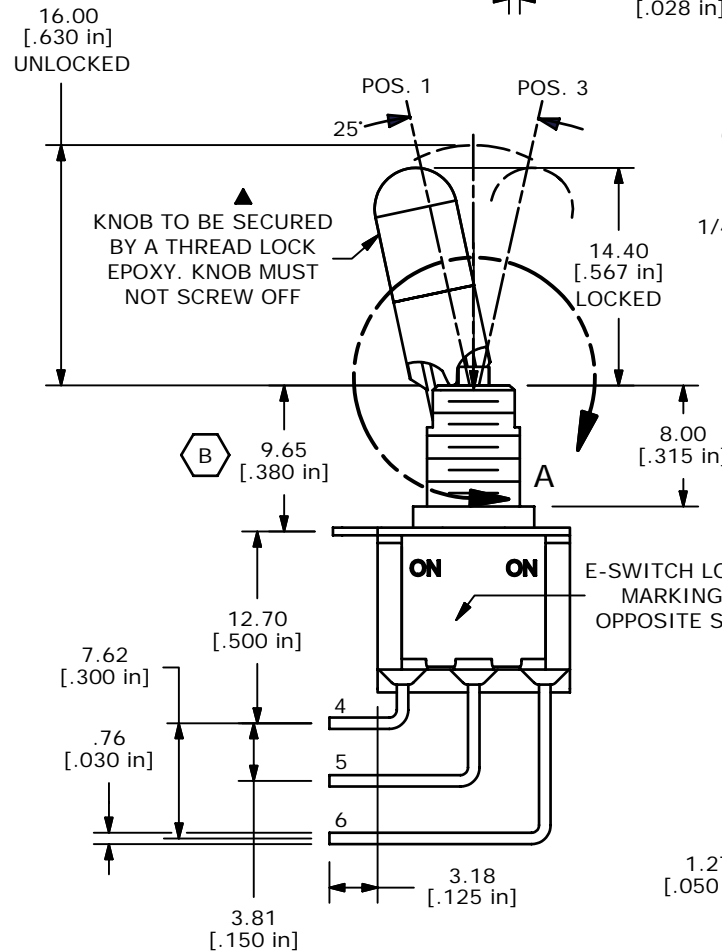
ISOMETRIC



DETAIL A

2 POSITION LOCK

P.C. MOUNT PATTERN



E-SWITCH®

B	17902	BUSHING DIMENSION CORRECTED	12/18/07	BLR
A	17888	RELEASED FOR PRODUCTION	12/13/07	BLR
REV	PCR NO	DESCRIPTION	DATE	BY

TITLE 100DP1K1B25M7REH				
SCALE 2:1	DATE 12/18/2007	DR BLR	DWG ST121097	REV B

THE INFORMATION CONTAINED IN THIS DOCUMENT IS PROPRIETARY TO E-SWITCH AND IS NOT TO BE COPIED OR TRANSFERRED