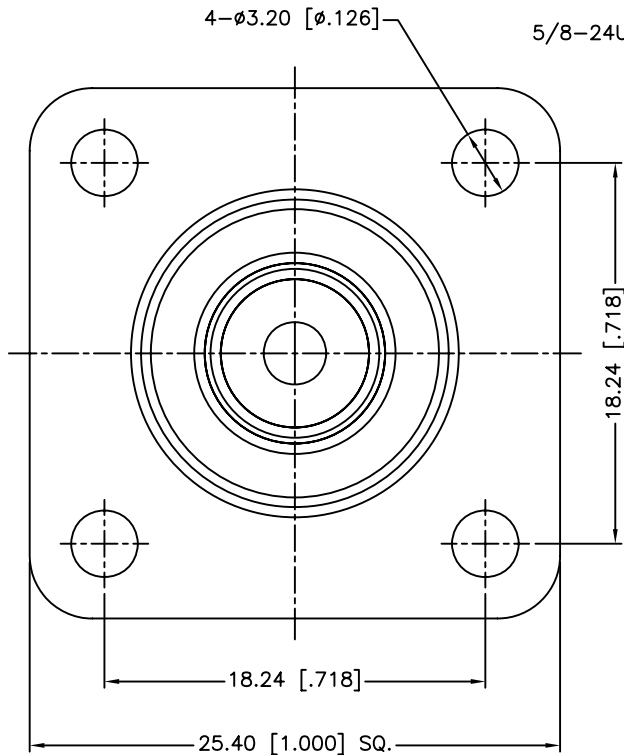
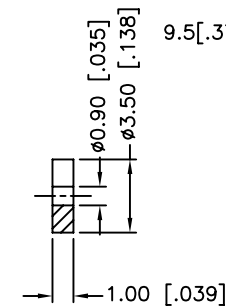
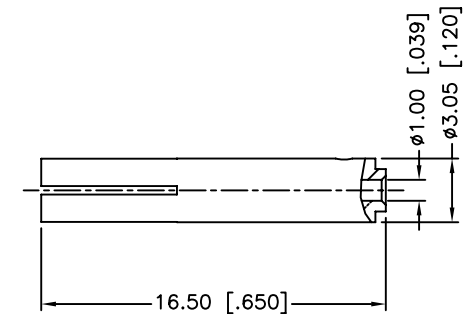
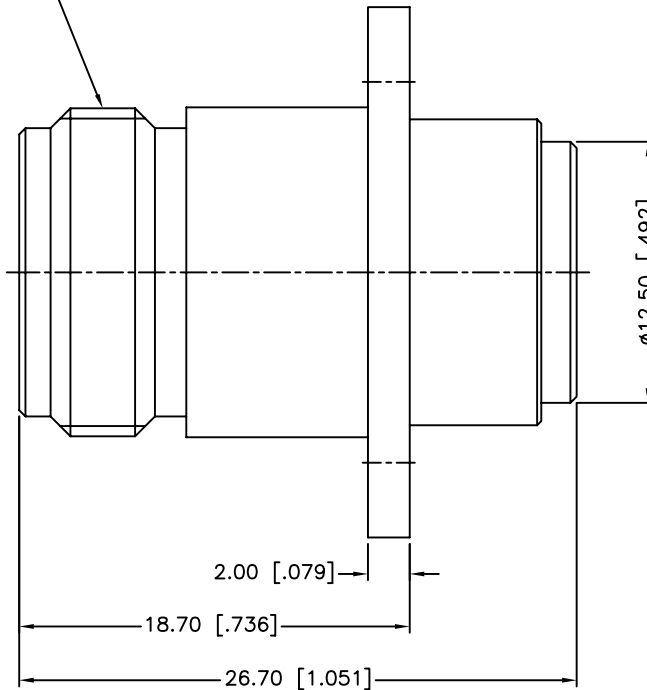


RECOMMENDED  
CABLE STRIPPING DIM'S

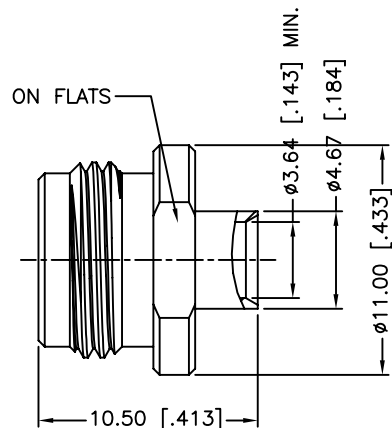
REV.	DATE	ECR NO.	DESCRIPTION
NC	08/18/00	XXXXXX	INITIAL RELEASE
A	04/11/03	XXXXXX	MODIFY PLATING SPECS/UPDATE DRAWING FORMAT
B	01/30/04	XXXXXX	MODIFY CONTACT PIN AND INSULATOR
C	02/02/05	XXXXXX	MODIFY CONTACT PIN
D	07/25/05	XXXXXX	MODIFY SOLDER NUT PLATING TO GOLD
E	04/02/08	XXXXXX	REVISE CABLE STRIPPING DIMENSION TO 3.5MM, INSULATOR TO PTFE
F	01/27/14	2690	CORRECT SPACER (INSULATOR) THICKNESS, UPDATE DRAWING FORMAT



5/8-24UNEF-2A



9.5[.374] ON FLATS



1. IMPEDANCE: 50 OHM
2. FREQUENCY RANGE: 0-6 GHZ
3. VSWR: 1.3 MAX.
4. DIELECTRIC WITHSTANDING VOLTAGE: 2500 VRMS, MIN.
5. DURABILITY: 500 CYCLES MIN.
6. TEMPERATURE RANGE: -65°C TO +165°C
7. CONTACT PIN TO SOLDER

QTY	DESCRIPTION	MATERIAL	FINISH	QTY
1	SOLDER NUT	BRASS	GOLD	1
1	INSULATOR	PTFE	NATURAL	1
4	CONTACT PIN	PHOSPHOR BRONZE	GOLD	1
1	INNER BODY	BRASS	NEXCOTE	1
1	INSULATOR	PTFE	NATURAL	1
1	OUTER BODY	BRASS	NEXCOTE	1
	DESCRIPTION	MATERIAL	FINISH	QTY

UNLESS OTHERWISE SPECIFIED DIMENSIONS ARE IN MILLIMETERS. DIMENSIONS IN [ ] ARE IN INCHES AND FOR CUSTOMER REFERENCE ONLY.  
UNLESS OTHERWISE SPECIFIED  
TOLERANCES FOR MILLIMETERS ARE:  
 <0.5 ± 0.05mm  
 0.5 - 6mm ± 0.10mm  
 6 - 30mm ± 0.20mm  
 30 - 120mm ± 0.30mm  
 ANGLES ± 1°  
 UNLESS OTHERWISE SPECIFIED  
 TOLERANCES FOR INCHES ARE:  
 <.020 ± 0.002"  
 .020 - .236 = ± 0.004"  
 .236 - 1.180 = ± 0.007"  
 1.180 - 4.724 = ± 0.012"  
 ANGLES ± 1°  
 DO NOT SCALE DRAWING

APPROVALS	DATE
DRAWN M.ZHANG	01/27/14
CHECKED	
ISSUED	
SHEET 1 OF 1	
CAD FILE C:/CONNEX/172170.DWG	

<b>Amphenol Connex</b>			
PART DESCRIPTION			
N PANEL DIRECT SOLDER JACK (FOR .141" SEMI RIGID CABLE)			
PART NO.			
172170			
DWG. NO.	172170.DWG	REV.	F
SIZE	A	SCALE	NA