



## General Specifications

### Motor Protection:

Auto Restart/Polarity Protection

**Insulation Resistance:** 10M Ω or over with a DC500V Megger

**Dielectric Withstand Voltage:** AC 700V 1s

### Allowable Ambient Temperature Range:

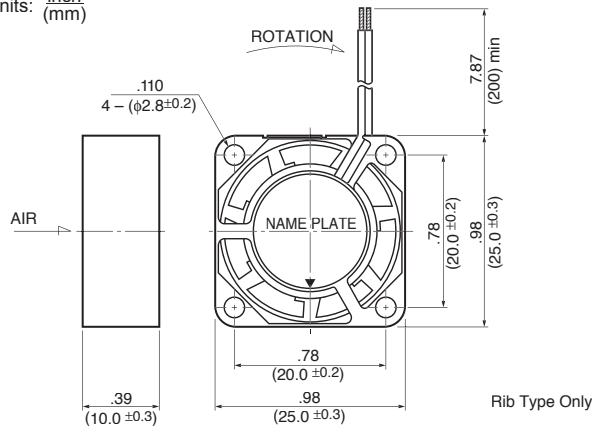
-10°C ~ +60°C (Operating)

-40°C ~ +70°C (Storage)

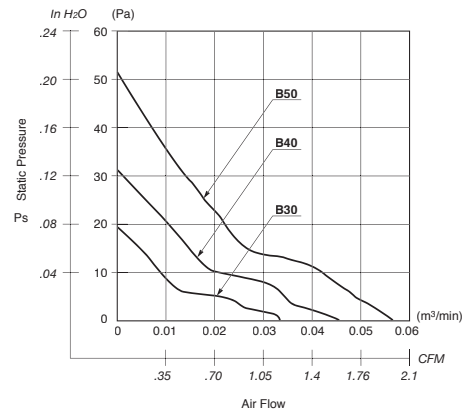
(non-condensing environment)

## Outline

Units:  $\frac{\text{inch}}{\text{mm}}$



## Characteristic Curves



## Panel Cut-outs



## Material

Casing : Plastic (Black) 94V-0

Impeller : Plastic (Black) 94V-0

Bearing : Ball Bearing

Lead Wire: UL1061, AWG26, +Red, -Black

## Specifications

MODEL	Product No.	Rated Voltage	Operating Voltage	Current	Input Power	Speed	Max. Air Flow		Max. Static Pressure		Noise	Mass
		(V)	(V)	(A) <sup>*1</sup>	(W) <sup>*1</sup>	(min <sup>-1</sup> ) <sup>*1</sup>	CFM <sup>*1</sup>	(m <sup>3</sup> /min) <sup>*1</sup>	in H <sub>2</sub> O	(Pa) <sup>*1</sup>	(dB) <sup>*1</sup>	(g)
1004KL-01W-B30-	X00	5	4.5 ~ 5.5	0.065	0.325	7000	1.2	0.034	.078	19.5	20.0	7.5
1004KL-01W-B40-	X00	5	4.5 ~ 5.5	0.085	0.425	9000	1.6	0.046	.126	31.6	22.0	7.5
1004KL-01W-B50-	X00	5	4.5 ~ 5.5	0.125	0.625	11000	2.0	0.057	.20	50.6	25.0	7.5
1004KL-04W-B30-	X00	12	8 ~ 13.8	0.035	0.42	7000	1.2	0.034	.078	19.5	20.0	7.5
1004KL-04W-B40-	X00	12	8 ~ 13.8	0.045	0.54	9000	1.6	0.046	.126	31.6	22.0	7.5
1004KL-04W-B50-	X00	12	8 ~ 13.8	0.060	0.72	11000	2.0	0.057	.20	50.6	25.0	7.5

Rotation: Clockwise

Airflow Outlet: Air Out Over Struts

\*1: Average Values in Free Air