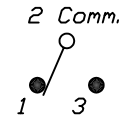
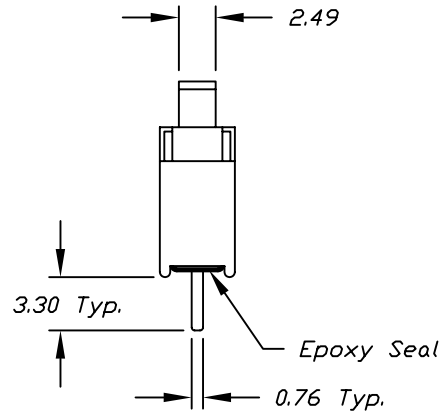
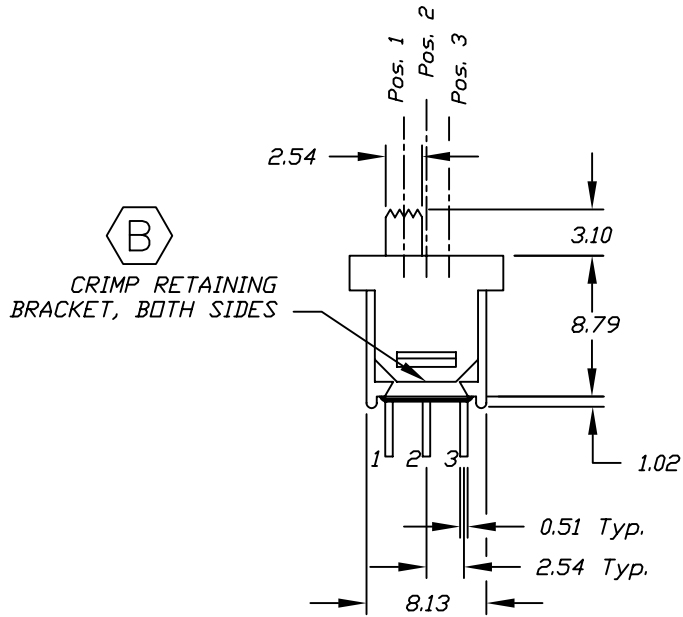


RECOMMEND P.C.B. LAYOUT



CIRCUIT: SPDT
CONTACT CONFIGURATION

SWITCH FUNCTION		
POS. 1	POS. 2	POS. 3
ON	NONE	ON
2-1	OPEN	2-3

- NOTES:
1. ALL DIMENSIONS IN MM
 2. TERM. NOS. FOR REF. ONLY
 3. RATING: 0.4VA MAX. @20VAC OR DC MAX.
 4. CRIMP METAL RETAINING BRACKET



TOLERANCES	±0.4	±0.25
	0.0	0.00

E-SWITCH®

B	CREATED NOTES	7/5/05	JB
A	RELEASED FOR PRODUCTION		
REV.	DESCRIPTION	DATE	CHKD

TITLE				
500A SSP-1 M2 R E				
SCALE	DATE	DR	DWG	REV
2:1	9/3/97	MM	T511000	B

THE INFORMATION CONTAINED IN THIS DOCUMENT IS PROPRIETARY TO E-SWITCH AND IS NOT TO BE COPIED OR TRANSFERRED