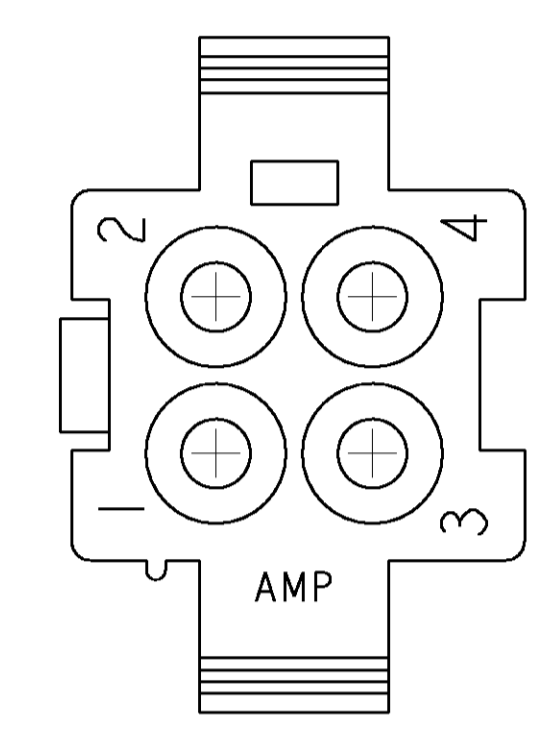
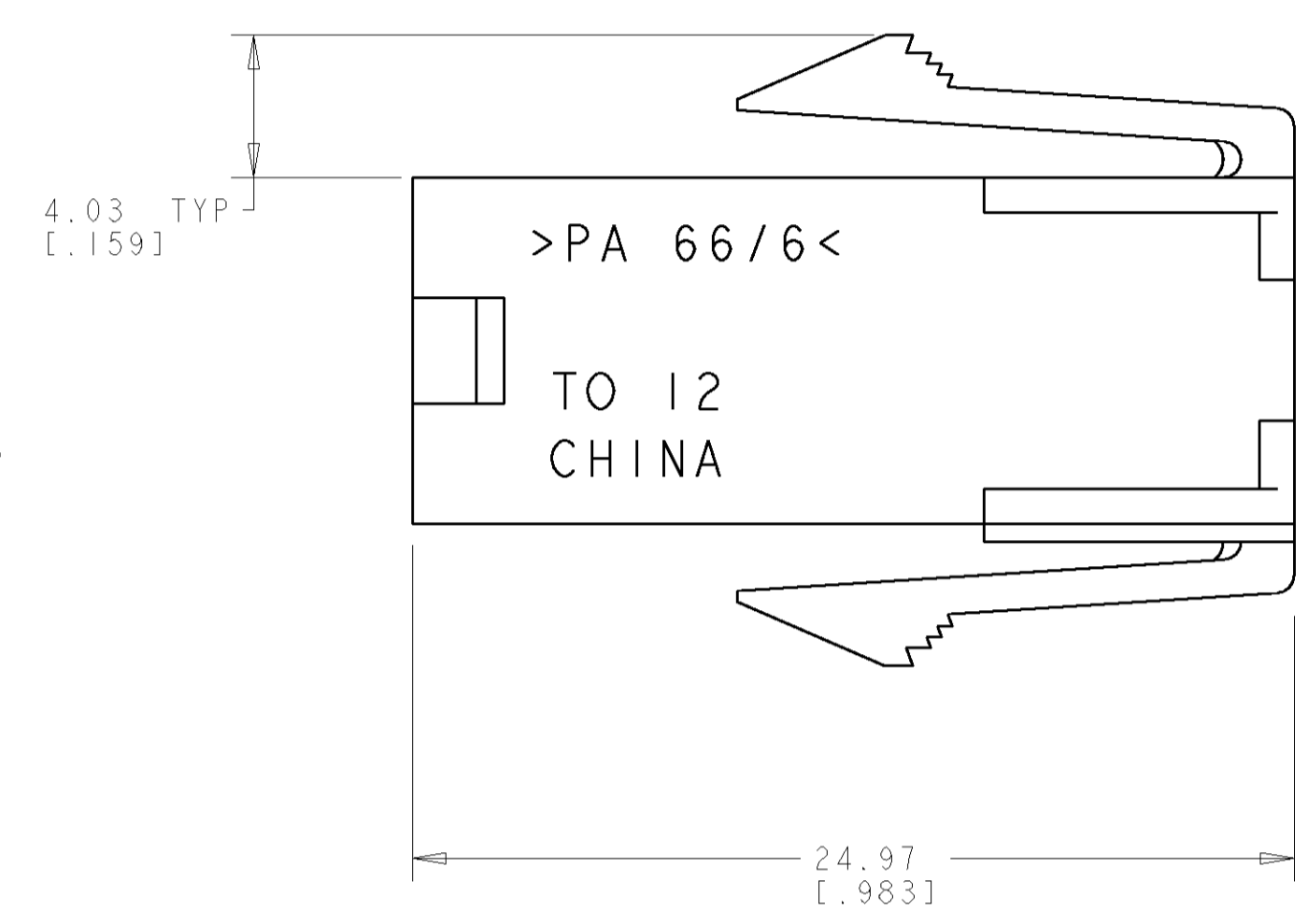
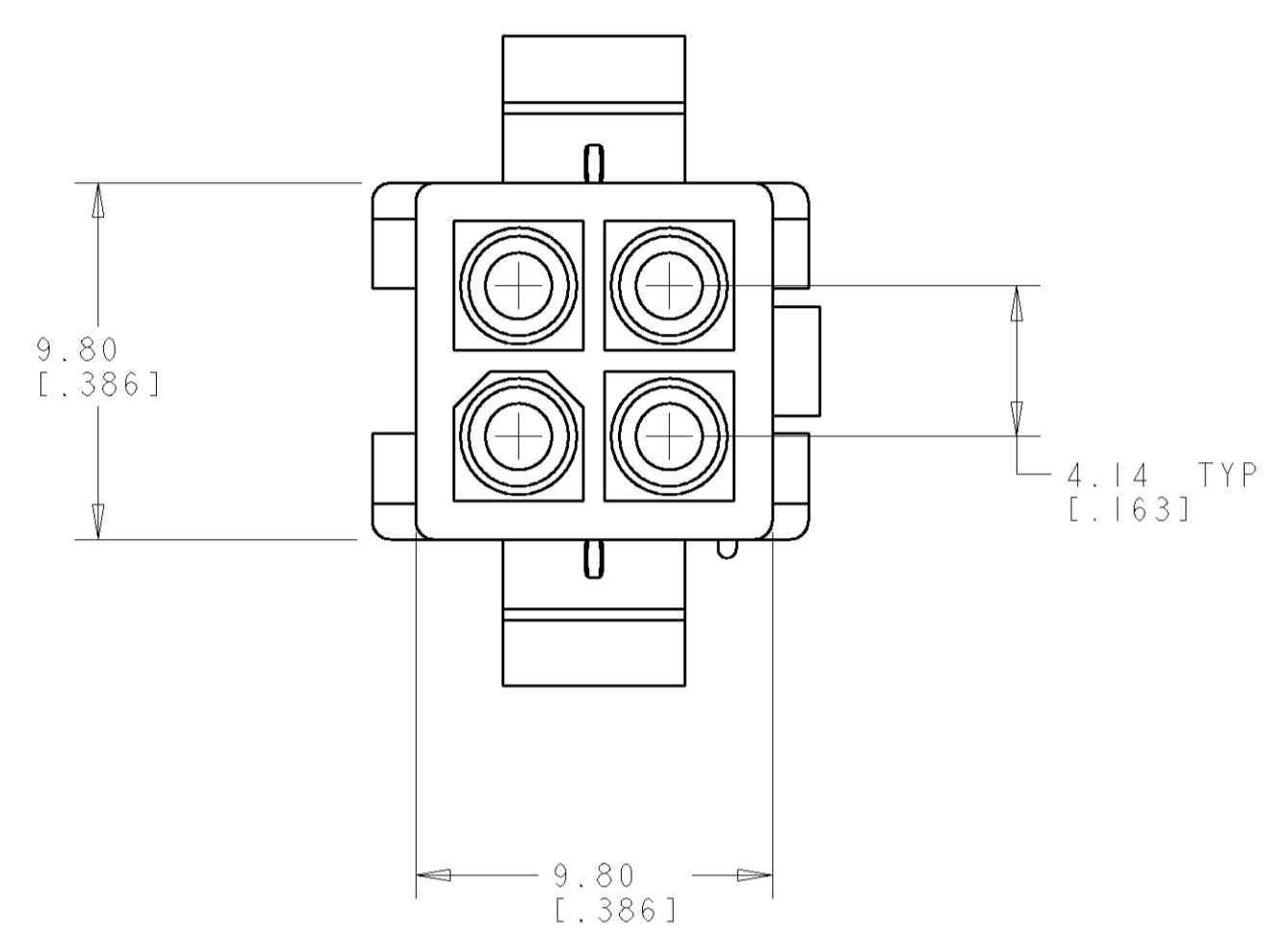
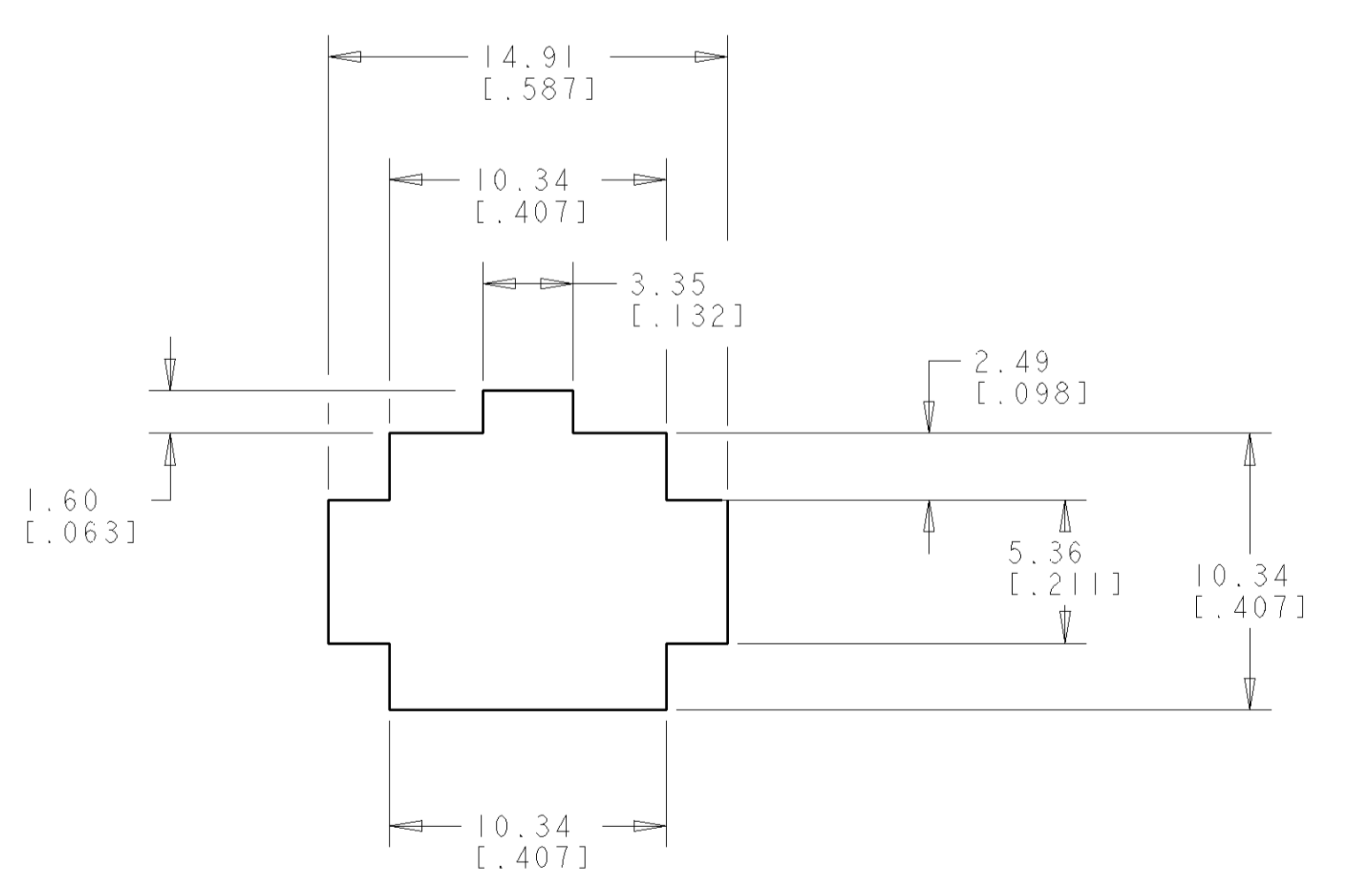
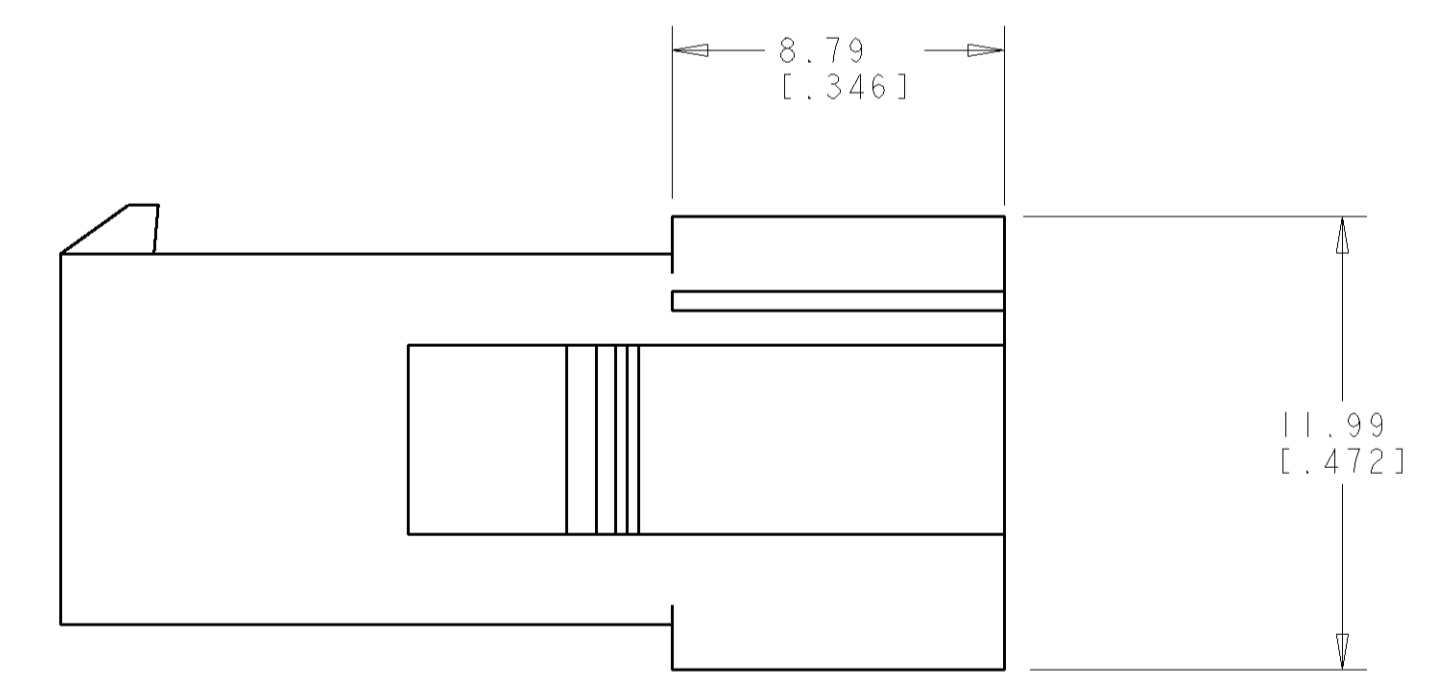


LOC	DIST	REVISIONS			
P	LTR	DESCRIPTION	DATE	DRN	APVD
A1		REVISED PER ECO-11-005294	30APR11	RK	HMR

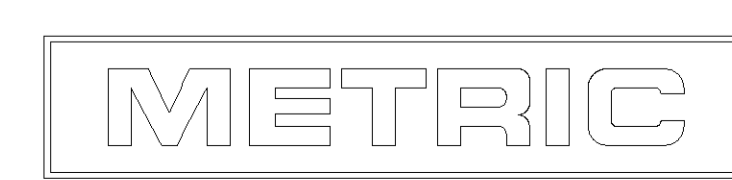


1. APPLICABLE CONTACT P/N: 170539, 170360, 170361, 170362.
2. DIMENSIONS IN BRACKETS ARE IN INCHES.
3. RECOMMENDED PANEL THICKNESS TO BE 0.8-2.0 [0.031-.079].
4. HOUSING INSERTION INTO THE PANEL CUT OUT MUST BE IN THE SAME DIRECTION AS THE PUNCH.



RECOMMENDED PANEL CUT OUT
 SCALE 4:1

794939-1
 PART NUMBER



DIMENSIONS: mm [INCHES]		TOLERANCES UNLESS OTHERWISE SPECIFIED:		DRN B. WHITAKER CHK C. JONES APVD C. JONES		DATE 23-JULY-2001 23-JULY-2001 23-JULY-2001		NAME CAP. 4 CIRCUIT, SEALED APPLICATION, MINI UNIVERSAL MATE-N-LOK™		TE Connectivity	
0 PLC	±	1 PLC	±	PRODUCT SPEC		SIZE	CAGE CODE	DRAWING NO	RESTRICTED TO		
2 PLC	±0.13 [0.005]	3 PLC	±	APPLICATION SPEC		A1	00779	C=794939			
4 PLC	±	ANGLES	±40° 30'	WEIGHT	-	CUSTOMER DRAWING		SCALE	5:1	SHEET	1 OF 1
MATERIAL NYLON, UL94V-0 NATURAL		FINISH	-	CUSTOMER DRAWING				REV	A1		