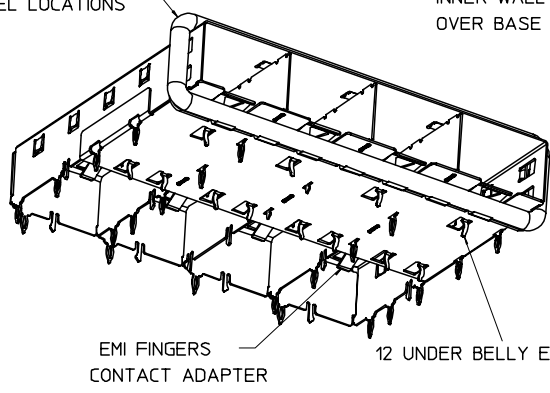
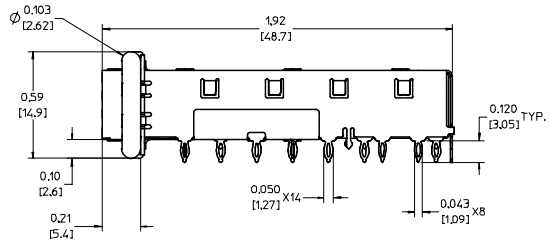
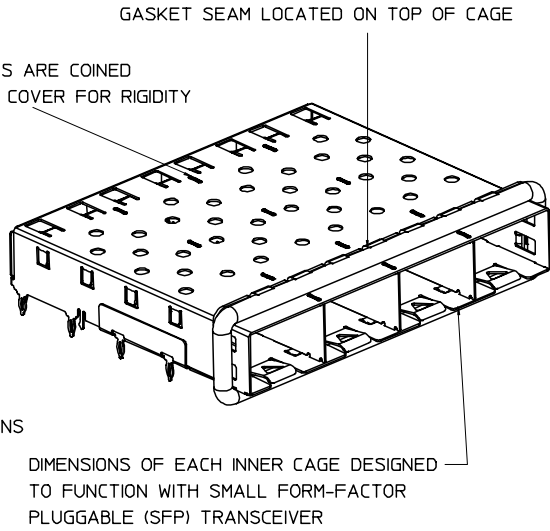


360° ELASTOMER GASKET COMPLIES WITH (SFP) MSA BOARD AND BEZEL LOCATIONS



INNER WALL TABS ARE COINED OVER BASE AND COVER FOR RIGIDITY



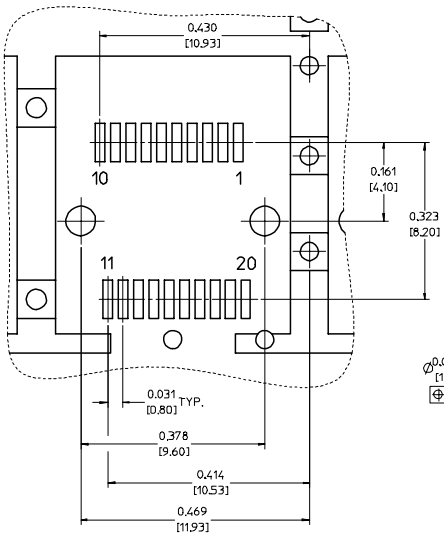
- NOTES:
- PRESS FIT LEGS 0.120" LONG- 0.062 [1.57] MINIMUM PCB THICKNESS. FOR SINGLE SIDED USE ONLY.
 - MATERIAL: COPPER ALLOY. PLATING: PRE-PLATED NICKEL
 - REFERENCE DOCUMENTS: PRODUCT SPECIFICATION: PS-74728-000 COSMETIC SPECIFICATIONS: WI-HP-7-2774 AND WI-HPA-7-0093 TEST SUMMARY: TS-74728-0415
 - MATES WITH SERIES 74728, LIGHT PIPE COVER ASSEMBLY.
 - THIS PART MEETS THE RESTRICTION OF HAZARDOUS SUBSTANCES IN ELECTRICAL AND ELECTRONIC EQUIPMENT (ROHS) DIRECTIVE (2002/95/EC).

CHGD TOL ON SHT3 EC NO: USY2007-0426 DRWN:CCOX 2007/04/20 CHKD: 2007/04/25 APPR:RMAHMOOD007/04/30 REV DESCRIPTION	QUALITY SYMBOLS	GENERAL TOLERANCES (UNLESS SPECIFIED)	SCALE 3:1	DESIGN UNITS METRIC	THIRD ANGLE PROJECTION	REVISE ON CAD ONLY
	4 PLACES ± --- ± --- 3 PLACES ± --- ± .005 2 PLACES ± 0.13 ± .01 1 PLACE ± 0.25 ± ---	DIMENSION STYLE IN/MM DRAWN BY DATE K SIMONSO 2005/07/09 CHECKED BY DATE BRUSSELL 2005/07/09 APPROVED BY DATE BRUSSELL 2005/07/09	DIMENSION STYLE IN/MM TITLE 1X4 SFP CAGE ASSEMBLY W/ PRESS FIT PINS, PRE-PLATED MOLEX INCORPORATED MATERIAL NO. 747280420 DOCUMENT NO. SD-74728-420 SHEET NO. 1 OF 4			
	ANGULAR ± 1° DRAFT WHERE APPLICABLE MUST REMAIN WITHIN DIMENSIONS	THIS DRAWING CONTAINS INFORMATION THAT IS PROPRIETARY TO MOLEX INCORPORATED AND SHOULD NOT BE USED WITHOUT WRITTEN PERMISSION				

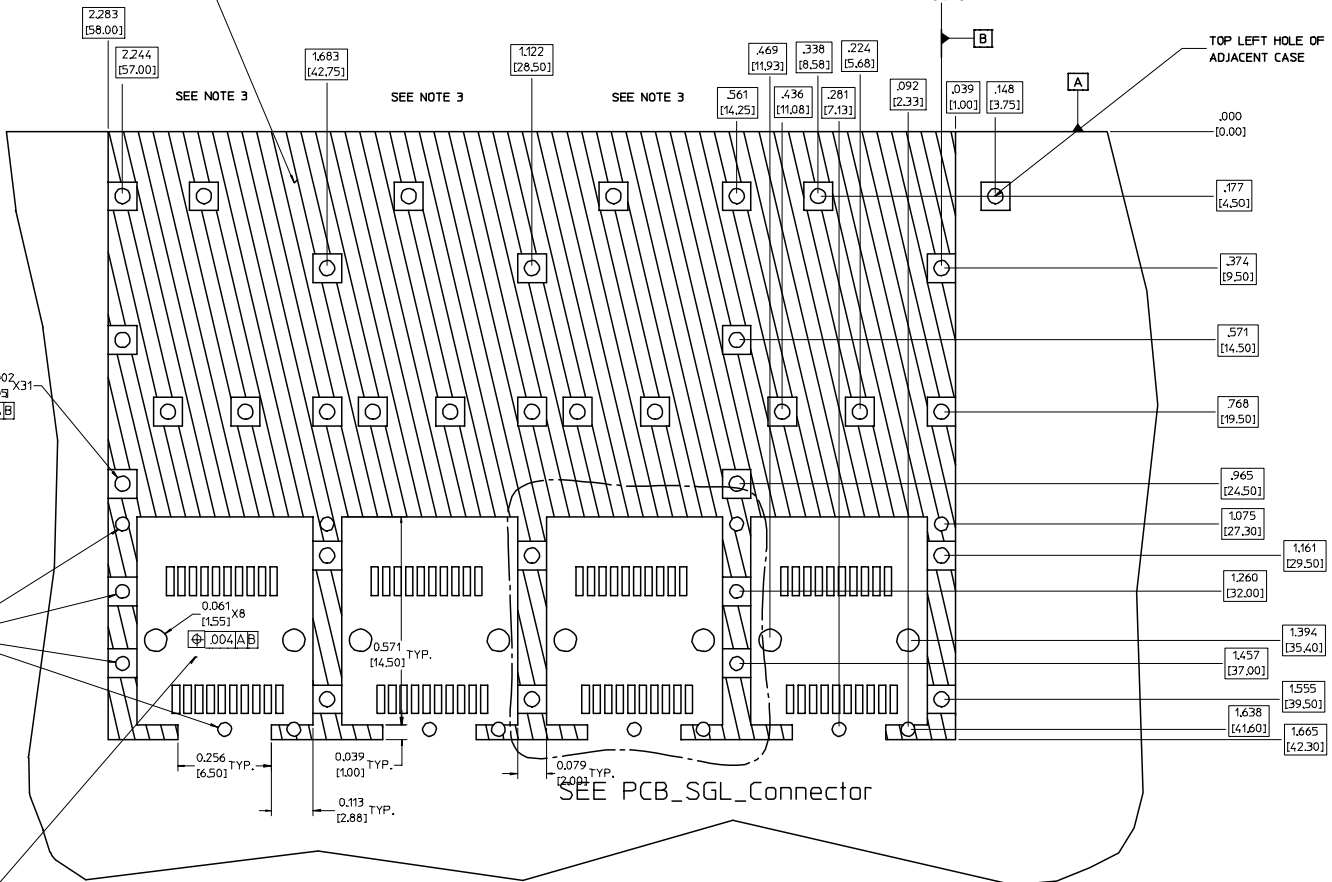
20 19 18 17 16 15 14 13 12 11 10 9 8 7 6 5 4 3 2 1

PCB LAYOUT FOR SINGLE SIDE MOUNTING

PCB_SGL_Connector
SCALE 8:1



CROSS-HATCHED AREA DENOTES
COMPONENT AND TRACE KEEP-OUT
(EXCEPT CHASSIS GROUND)



THIS AREA DENOTES
COMPONENT KEEP-OUT
(TRACES ALLOWED)

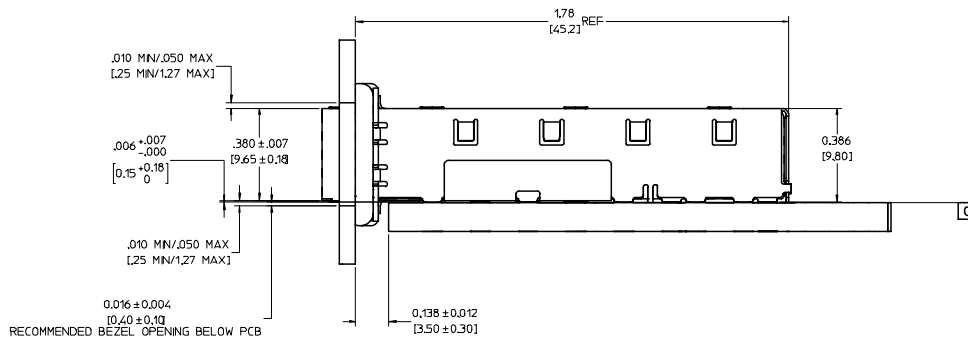
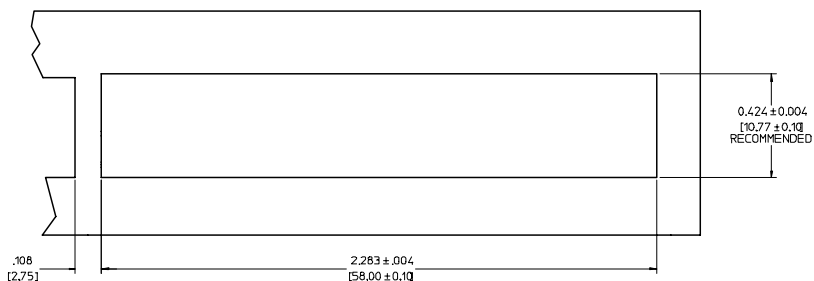
- NOTES:
- PADS AND VIAS GO TO CHASSIS GROUND, (34 PLACES).
RECOMMENDED PADS TO BE 2mm SQUARE.
 - PLATING OPTIONAL FOR THROUGH HOLES, (12 PLACES).
 - HOLE PATTERN REPEATS FOR EACH PORT,
SPACING BETWEEN PORTS IS 14.25mm.

CHGD TOL ON SHT3 EC NO: USY2007-0426 DRWN:CCOX 2007/04/20 CHKD: 2007/04/25 APPR:RMAHMOOD/07/04/30 REV DESCRIPTION	QUALITY SYMBOLS	GENERAL TOLERANCES (UNLESS SPECIFIED)	SCALE 6:1	DESIGN UNITS METRIC	THIRD ANGLE PROJECTION	REVISE ON CAD ONLY
	4 PLACES ± --- ± --- 3 PLACES ± --- ± .005 2 PLACES ± 0.13 ± .01 1 PLACE ± 0.25 ± ---	DIMENSION STYLE IN/MM DRAWN BY DATE K SIMONSO 2005/07/09 CHECKED BY DATE BRUSSELL 2005/07/09 APPROVED BY DATE BRUSSELL 2005/07/09	TITLE 1X4 SFP CAGE ASSEMBLY W/ PRESS FIT PINS, PRE-PLATED MOLEX INCORPORATED MATERIAL NO. 747280420 DOCUMENT NO. SD-74728-420 SHEET NO. 2 OF 4			
	DRAFT WHERE APPLICABLE MUST REMAIN WITHIN DIMENSIONS	THIS DRAWING CONTAINS INFORMATION THAT IS PROPRIETARY TO MOLEX INCORPORATED AND SHOULD NOT BE USED WITHOUT WRITTEN PERMISSION				

19 18 17 16 15 14 13 12 11 10 9 8 7 6 5 4 3 2 1

20 | 19 | 18 | 17 | 16 | 15 | 14 | 13 | 12 | 11 | 74728 | 9 | 8 | 7 | 6 | 5 | 4 | 3 | 2 | 1

BEZEL AND BOARD POSITION DIMENSIONS FOR SINGLE SIDE MOUNTING



CHGD TOL ON SHTS EC NO: USY2007-0426 DRWN:CCOX 2007/04/20 CHKD: 2007/04/25 APPR:RMAHMOOD/07/04/30 REV DESCRIPTION	QUALITY SYMBOLS	GENERAL TOLERANCES (UNLESS SPECIFIED)		SCALE 4:1	DESIGN UNITS METRIC	THIRD ANGLE PROJECTION	REVISE ON CAD ONLY
	▽ .0 ◻ .0	4 PLACES	mm	INCH	DIMENSION STYLE IN/MM		TITLE 1X4 SFP CAGE ASSEMBLY W/ PRESS FIT PINS, PRE-PLATED MOLEX INCORPORATED
		3 PLACES	± .005	± .005	DRAWN BY KSIMONSO	DATE 2005/07/09	
		2 PLACES	± 0.13	± .01	CHECKED BY BRUSSELL	DATE 2005/07/09	
	1 PLACE	± 0.25	± .01	APPROVED BY BRUSSELL	DATE 2005/07/09	MATERIAL NO. 747280420	DOCUMENT NO. SD-74728-420
		ANGULAR ± 1°		DRAFT WHERE APPLICABLE MUST REMAIN WITHIN DIMENSIONS		SHEET NO. 3 OF 4	
THIS DRAWING CONTAINS INFORMATION THAT IS PROPRIETARY TO MOLEX INCORPORATED AND SHOULD NOT BE USED WITHOUT WRITTEN PERMISSION							

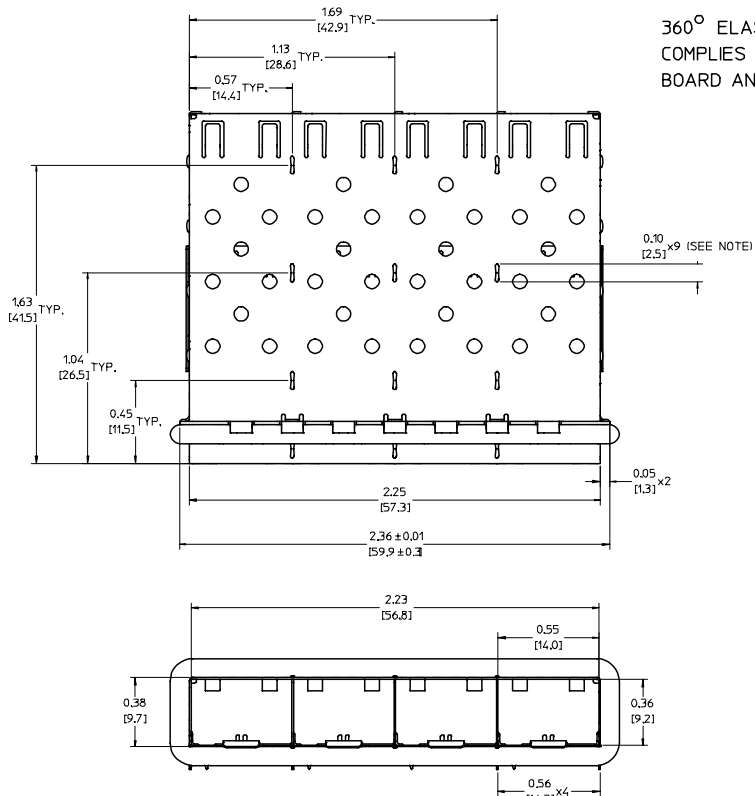
19 | 18 | 17 | 16 | 15 | 14 | 13 | 12 | 11 | 10 | 9 | 8 | 7 | 6 | 5 | 4 | 3 | 2 | 1

20 | 19 | 18 | 17 | 16 | 15 | 14 | 13 | 12 | 11 | 74728 | 9 | 8 | 7 | 6 | 5 | 4 | 3 | 2 | 1

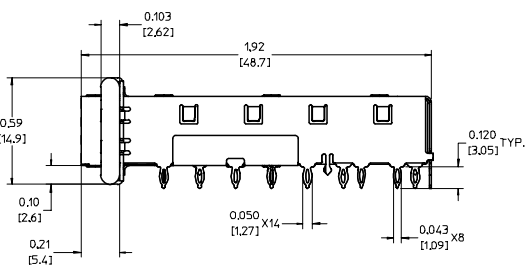
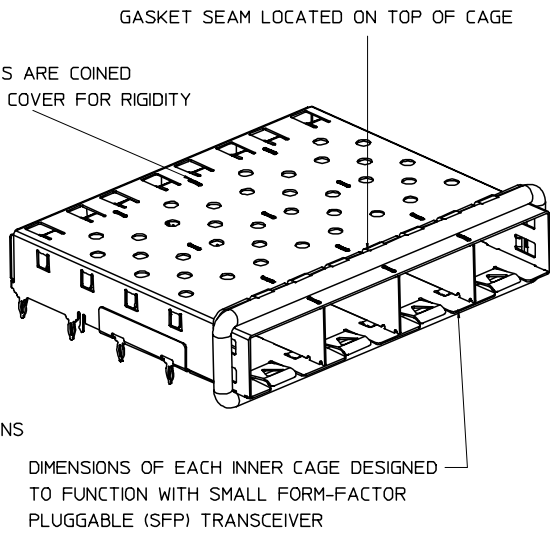
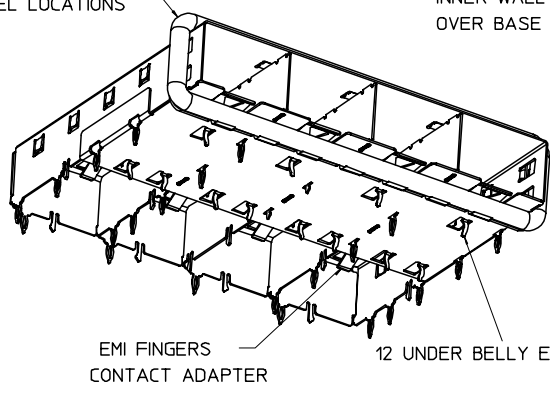
DATE	REV	CHANGES
2005/07/09	A	INITIAL RELEASE
2006/08/07	B	ADDED NOTE IDENTIFYING HOLE ON ADJACENT CASE
2007/04/10	C	[1] ON SHT3 DELETED F9(.073); [2] ON SHT3 CHG'D F7(.138) TOLERANCE FROM ±.012 TO ±.035; [3] IDENTIFIED ALL VIEWS WITH DISTINCT NAMES.
2007/04/20	D	[1] ON SHT3 CHG'D F7(.138) TOLERANCE FROM ±.035 TO ±.012.

CHGD TOL ON SHT3 EC NO: USY2007-0426 DRWN:CCOX 2007/04/20 CHKD: 2007/04/25 APPR:RMAHMOOD07/04/30 REV	QUALITY SYMBOLS	GENERAL TOLERANCES (UNLESS SPECIFIED)	SCALE 1:1	DESIGN UNITS METRIC	THIRD ANGLE PROJECTION	REVISE ON CAD ONLY																								
	 	<table border="1"> <thead> <tr> <th></th> <th>mm</th> <th>INCH</th> </tr> </thead> <tbody> <tr> <td>4 PLACES</td> <td>± .005</td> <td>± .0005</td> </tr> <tr> <td>3 PLACES</td> <td>± .01</td> <td>± .001</td> </tr> <tr> <td>2 PLACES</td> <td>± .02</td> <td>± .002</td> </tr> <tr> <td>1 PLACE</td> <td>± .05</td> <td>± .005</td> </tr> </tbody> </table>		mm	INCH	4 PLACES	± .005	± .0005	3 PLACES	± .01	± .001	2 PLACES	± .02	± .002	1 PLACE	± .05	± .005	<table border="1"> <thead> <tr> <th colspan="2">DIMENSION STYLE</th> </tr> <tr> <th>IN/MM</th> <th>DATE</th> </tr> </thead> <tbody> <tr> <td>DRAWN BY K SIMONSO</td> <td>2005/07/09</td> </tr> <tr> <td>CHECKED BY BRUSSELL</td> <td>2005/07/09</td> </tr> <tr> <td>APPROVED BY BRUSSELL</td> <td>2005/07/09</td> </tr> </tbody> </table>	DIMENSION STYLE		IN/MM	DATE	DRAWN BY K SIMONSO	2005/07/09	CHECKED BY BRUSSELL	2005/07/09	APPROVED BY BRUSSELL	2005/07/09	TITLE	1X4 SFP CAGE ASSEMBLY W/ PRESS FIT PINS, PRE-PLATED
			mm	INCH																										
		4 PLACES	± .005	± .0005																										
3 PLACES	± .01	± .001																												
2 PLACES	± .02	± .002																												
1 PLACE	± .05	± .005																												
DIMENSION STYLE																														
IN/MM	DATE																													
DRAWN BY K SIMONSO	2005/07/09																													
CHECKED BY BRUSSELL	2005/07/09																													
APPROVED BY BRUSSELL	2005/07/09																													
DRAFT WHERE APPLICABLE MUST REMAIN WITHIN DIMENSIONS	ANGULAR ± 1°	MATERIAL NO. 747280420 DOCUMENT NO. SD-74728-420 SHEET NO. 4 OF 4	MOLEX INCORPORATED																											
THIS DRAWING CONTAINS INFORMATION THAT IS PROPRIETARY TO MOLEX INCORPORATED AND SHOULD NOT BE USED WITHOUT WRITTEN PERMISSION						D																								

19 | 18 | 17 | 16 | 15 | 14 | 13 | 12 | 11 | 10 | 9 | 8 | 7 | 6 | 5 | 4 | 3 | 2 | 1



360° ELASTOMER GASKET COMPLIES WITH (SFP) MSA BOARD AND BEZEL LOCATIONS



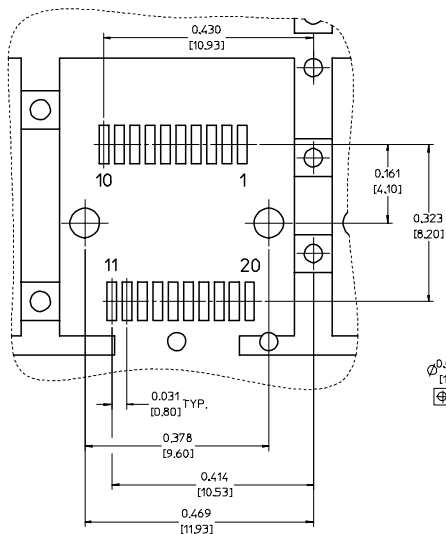
- NOTES:
- PRESS FIT LEGS 0.120" LONG- 0.062 [1.57] MINIMUM PCB THICKNESS. FOR SINGLE SIDED USE ONLY.
 - MATERIAL: COPPER ALLOY. PLATING: PRE-PLATED NICKEL
 - REFERENCE DOCUMENTS: PRODUCT SPECIFICATION: PS-74728-000 COSMETIC SPECIFICATIONS: WI-HP-7-2774 AND WI-HPA-7-0093 TEST SUMMARY: TS-74728-0415
 - MATES WITH SERIES 74728, LIGHT PIPE COVER ASSEMBLY.
 - THIS PART MEETS THE RESTRICTION OF HAZARDOUS SUBSTANCES IN ELECTRICAL AND ELECTRONIC EQUIPMENT (ROHS) DIRECTIVE (2002/95/EC).

EC NO: 2006/08/01 DRWN:CCOX 2006/08/07 CHKD: 2006/08/07 APPR:BRUSSELL 2006/08/15 REV DESCRIPTION	QUALITY SYMBOLS	GENERAL TOLERANCES (UNLESS SPECIFIED)	SCALE 3:1	DESIGN UNITS METRIC	THIRD ANGLE PROJECTION	REVISE ON CAD ONLY	
	4 PLACES ± --- ± --- 3 PLACES ± --- ± .005 2 PLACES ± 0.13 ± .01 1 PLACE ± 0.25 ± ---	DIMENSION STYLE IN/MM DRAWN BY DATE K SIMONSO 2005/07/09 CHECKED BY DATE BRUSSELL 2005/07/09 APPROVED BY DATE BRUSSELL 2005/07/09	mm INCH ANGULAR ± 1° DRAFT WHERE APPLICABLE MUST REMAIN WITHIN DIMENSIONS	TITLE 1X4 SFP CAGE ASSEMBLY W/ PRESS FIT PINS, PRE-PLATED MOLEX INCORPORATED MATERIAL NO. 747280420 DOCUMENT NO. SD-74728-420 SHEET NO. 1 OF 4			
	THIS DRAWING CONTAINS INFORMATION THAT IS PROPRIETARY TO MOLEX INCORPORATED AND SHOULD NOT BE USED WITHOUT WRITTEN PERMISSION						

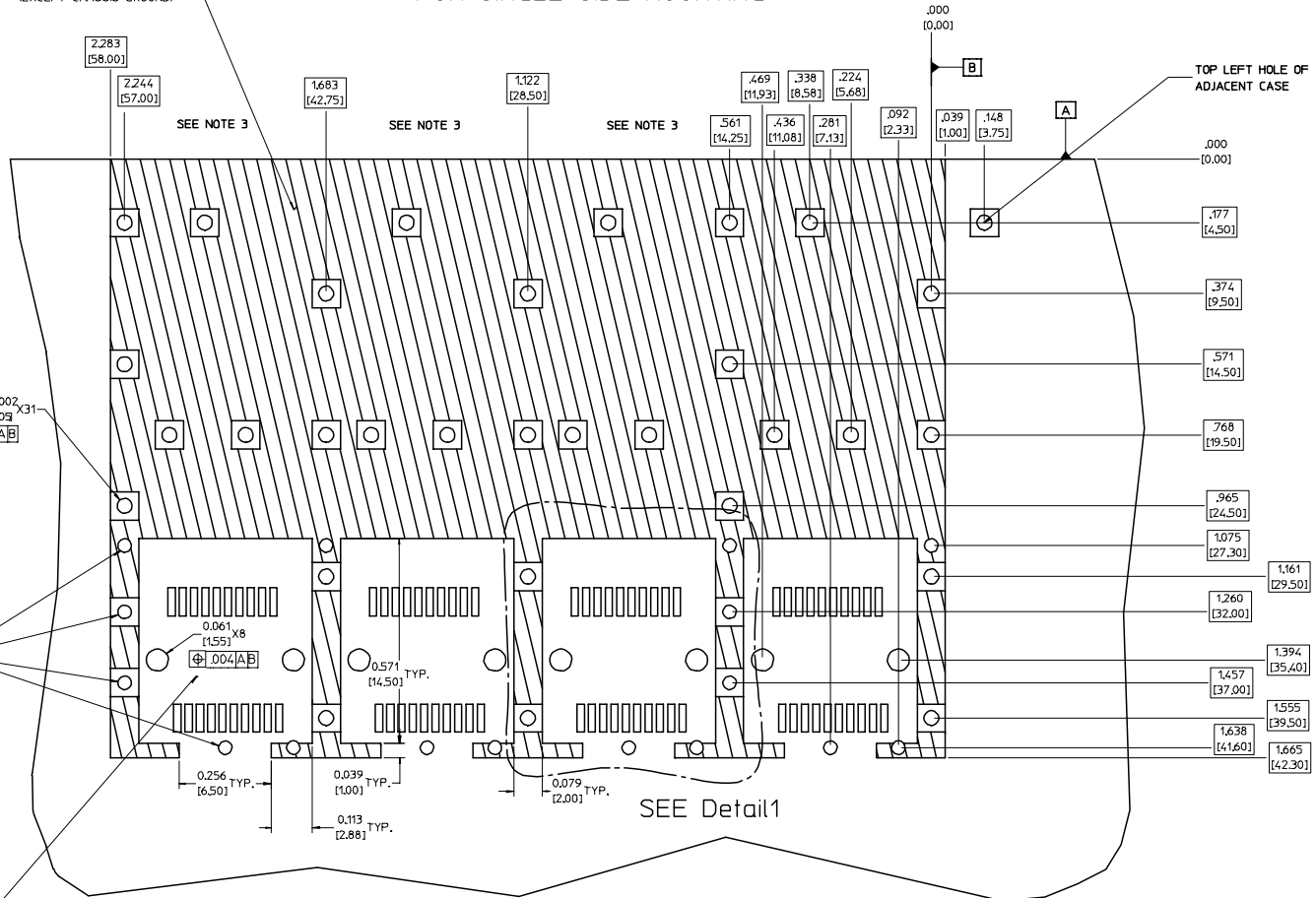
20 19 18 17 16 15 14 13 12 11 10 9 8 7 6 5 4 3 2 1

PCB LAYOUT
FOR SINGLE SIDE MOUNTING

Detail1
SCALE 8:1



CROSS-HATCHED AREA DENOTES
COMPONENT AND TRACE KEEP-OUT
(EXCEPT CHASSIS GROUND)



$\phi .037 \pm 0.002 \times 16$
 $\phi .004 [A] B$
SMALLER HOLE ON
THESE FOUR ROWS ONLY

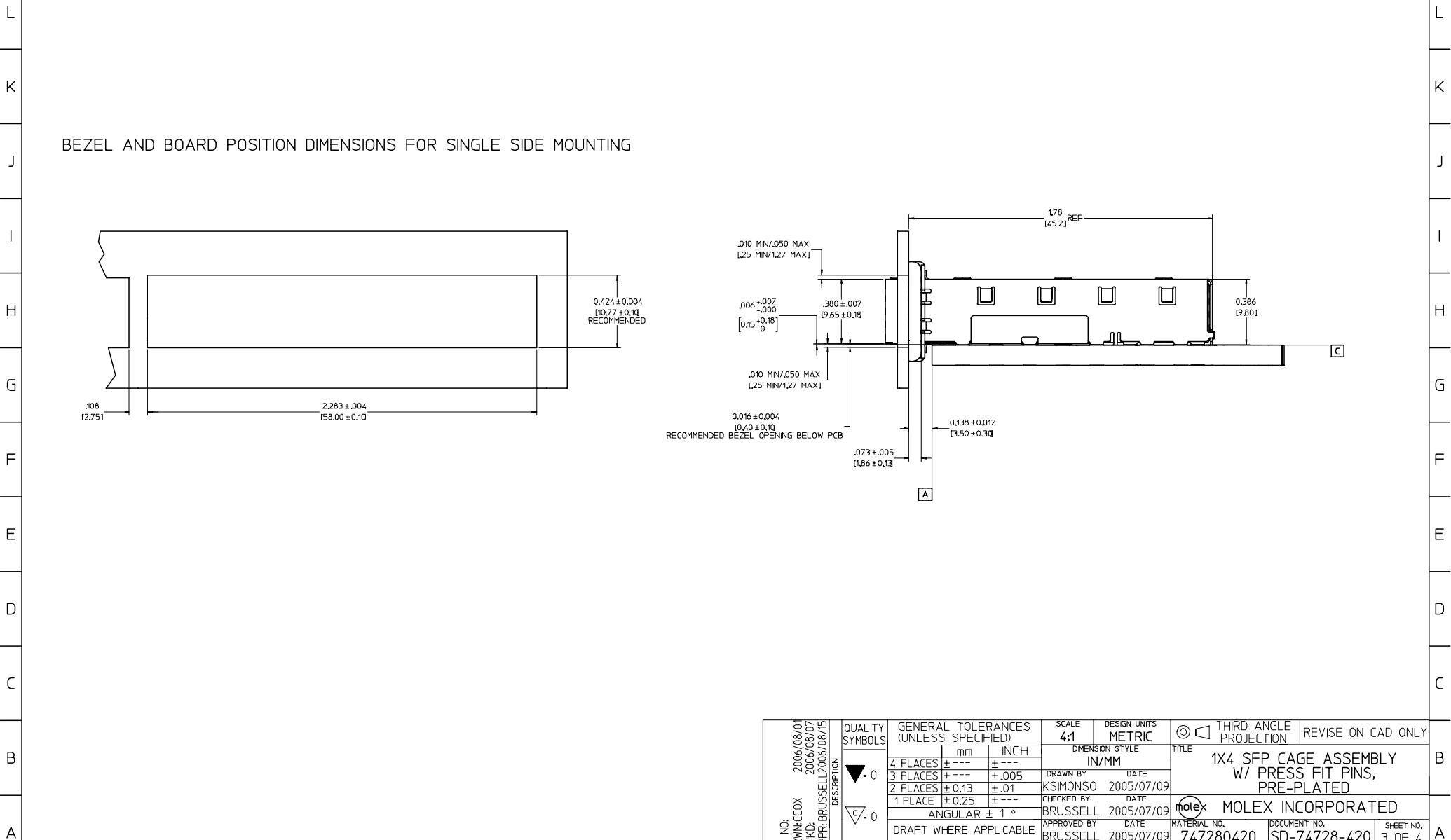
THIS AREA DENOTES
COMPONENT KEEP-OUT
(TRACES ALLOWED)

- NOTES:
- PADS AND VIAS GO TO CHASSIS GROUND, (34 PLACES).
RECOMMENDED PADS TO BE 2mm SQUARE.
 - PLATING OPTIONAL FOR THROUGH HOLES, (12 PLACES).
 - HOLE PATTERN REPEATS FOR EACH PORT,
SPACING BETWEEN PORTS IS 14.25mm.

EC NO: 2006/08/01 DRWN:CCOX CHKD: 2006/08/07 APPR:BRUSSELL 2006/08/15 REV DESCRIPTION	QUALITY SYMBOLS	GENERAL TOLERANCES (UNLESS SPECIFIED)	SCALE 6:1	DESIGN UNITS METRIC	THIRD ANGLE PROJECTION	REVISE ON CAD ONLY
	$\nabla .0$ $\nabla \epsilon .0$	4 PLACES ± --- ± --- 3 PLACES ± --- ± .005 2 PLACES ± 0.13 ± .01 1 PLACE ± 0.25 ± ---	DIMENSION STYLE IN/MM DRAWN BY K SIMONSO DATE 2005/07/09 CHECKED BY BRUSSELL DATE 2005/07/09 APPROVED BY BRUSSELL DATE 2005/07/09	TITLE 1X4 SFP CAGE ASSEMBLY W/ PRESS FIT PINS, PRE-PLATED MOLEX INCORPORATED		
		ANGULAR ± 1 ° DRAFT WHERE APPLICABLE MUST REMAIN WITHIN DIMENSIONS	MATERIAL NO. 747280420 DOCUMENT NO. SD-74728-420 SHEET NO. 2 OF 4			
	THIS DRAWING CONTAINS INFORMATION THAT IS PROPRIETARY TO MOLEX INCORPORATED AND SHOULD NOT BE USED WITHOUT WRITTEN PERMISSION					

19 18 17 16 15 14 13 12 11 10 9 8 7 6 5 4 3 2 1

20 19 18 17 16 15 14 13 12 11 74728 9 8 7 6 5 4 3 2 1



EC NO: 2006/08/01 DRWN: CCOX CHKD: 2006/08/07 APPR: BRUSSELL 2006/08/15 REV DESCRIPTION	QUALITY SYMBOLS	GENERAL TOLERANCES (UNLESS SPECIFIED)	SCALE 4:1	DESIGN UNITS METRIC	THIRD ANGLE PROJECTION	REVISE ON CAD ONLY
	▽ .0 ∇ .0	4 PLACES ± .005	mm INCH	DIMENSION STYLE IN/MM		TITLE 1X4 SFP CAGE ASSEMBLY W/ PRESS FIT PINS, PRE-PLATED
		3 PLACES ± .005		DRAWN BY K SIMONSO	DATE 2005/07/09	
		2 PLACES ± 0.13		CHECKED BY BRUSSELL	DATE 2005/07/09	MOLEX INCORPORATED MATERIAL NO. 747280420 DOCUMENT NO. SD-74728-420
	1 PLACE ± 0.25	ANGULAR ± 1°	APPROVED BY BRUSSELL	DATE 2005/07/09	SHEET NO. 3 OF 4	
		DRAFT WHERE APPLICABLE MUST REMAIN WITHIN DIMENSIONS	THIS DRAWING CONTAINS INFORMATION THAT IS PROPRIETARY TO MOLEX INCORPORATED AND SHOULD NOT BE USED WITHOUT WRITTEN PERMISSION			

19 18 17 16 15 14 13 12 11 10 9 8 7 6 5 4 3 2 1

20 | 19 | 18 | 17 | 16 | 15 | 14 | 13 | 12 | 11 | 74728 | 9 | 8 | 7 | 6 | 5 | 4 | 3 | 2 | 1

DATE	REV	CHANGES	COMMENTS
2005/06/09	1	PRELIMINARY DOCUMENT	N/A
2005/07/09	A	INITIAL RELEASE	N/A
2006/08/07	B	ADDED NOTE IDENTIFYING HOLE ON ADJACENT CASE	N/A

EC NO: 2006/08/01 DRWN:CCOX CHKD: 2006/08/07 APPR:BRUSSELL 2006/08/15 REV:	QUALITY SYMBOLS	GENERAL TOLERANCES (UNLESS SPECIFIED)	SCALE 1:1	DESIGN UNITS METRIC	THIRD ANGLE PROJECTION	REVISE ON CAD ONLY													
	▽.0	<table border="1"> <thead> <tr> <th></th> <th>mm</th> <th>INCH</th> </tr> </thead> <tbody> <tr> <td>4 PLACES</td> <td>±.001</td> <td>±.005</td> </tr> <tr> <td>3 PLACES</td> <td>±.002</td> <td>±.010</td> </tr> <tr> <td>2 PLACES</td> <td>±.013</td> <td>±.010</td> </tr> <tr> <td>1 PLACE</td> <td>±.025</td> <td>±.010</td> </tr> </tbody> </table>		mm	INCH	4 PLACES	±.001	±.005	3 PLACES	±.002	±.010	2 PLACES	±.013	±.010	1 PLACE	±.025	±.010	DIMENSION STYLE IN/MM DRAWN BY DATE KSIMONSO 2005/07/09 CHECKED BY DATE BRUSSELL 2005/07/09 APPROVED BY DATE BRUSSELL 2005/07/09	TITLE 1X4 SFP CAGE ASSEMBLY W/ PRESS FIT PINS, PRE-PLATED MOLEX INCORPORATED MATERIAL NO. 747280420 DOCUMENT NO. SD-74728-420 SHEET NO. 4 OF 4
		mm	INCH																
	4 PLACES	±.001	±.005																
3 PLACES	±.002	±.010																	
2 PLACES	±.013	±.010																	
1 PLACE	±.025	±.010																	
∇.0	ANGULAR ± 1° DRAFT WHERE APPLICABLE MUST REMAIN WITHIN DIMENSIONS	THIS DRAWING CONTAINS INFORMATION THAT IS PROPRIETARY TO MOLEX INCORPORATED AND SHOULD NOT BE USED WITHOUT WRITTEN PERMISSION																	

19 | 18 | 17 | 16 | 15 | 14 | 13 | 12 | 11 | 10 | 9 | 8 | 7 | 6 | 5 | 4 | 3 | 2 | 1