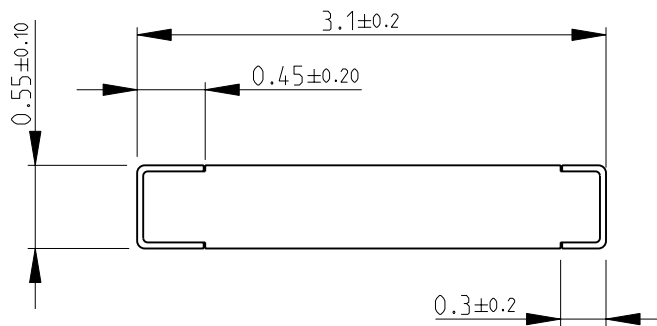
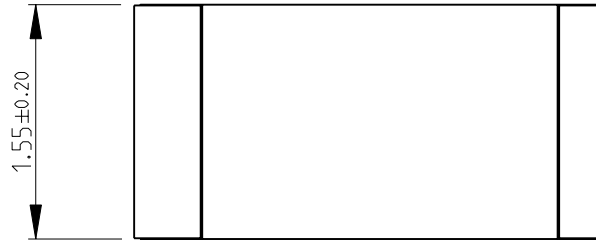
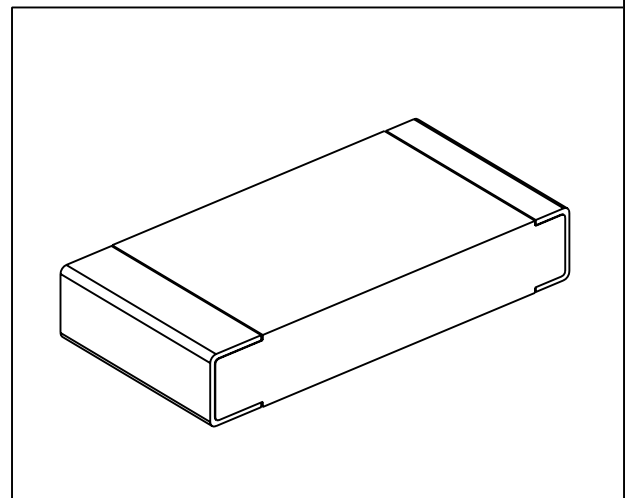


LOC	DIST	REVISIONS					
E	B	P	LTR	DESCRIPTION	DATE	DWN	APVD
			BA	NEW RELEASE	29-Sep-08	SM	St.P

FOR FURTHER INFORMATION SEE DATA SHEET FOR  
CPF SERIES-THIN FILM PRECISION CHIP RESISTORS



RoHS Compliant



2008

RELEASED FOR PUBLICATION

THIS DRAWING IS UNPUBLISHED.

© COPYRIGHT 2008 BY TYCO ELECTRONICS CORPORATION. ALL RIGHTS RESERVED.

DIMENSIONS: mm	DWN	SUBHASH.M	29-Sep-08	MATERIAL	-	FINISH	-				
	CHK	PRAKASH.S	29-Sep-08	Tyco Electronics Corporation Dorcan, Swindon, SN3 5HH							
TOLERANCES UNLESS OTHERWISE SPECIFIED:	APVD	STEPHEN.P	29-Sep-08					NAME THIN FILM PRECISION CHIP RESISTORS SERIES CPF 1206			
	0 PLC ±0.2	PRODUCT SPEC	-	SIZE	A 4	CAGE CODE	00779	DRAWING NO	© = 1879227	RESTRICTED TO	-
1 PLC ±0.1	APPLICATION SPEC	-	WEIGHT	-	SCALE		20:1	SHEET	1	OF	1
2 PLC ±-	CUSTOMER DRAWING		SCALE		20:1	SHEET	1	OF	1	REV	BA
3 PLC ±-											
4 PLC ±-											
ANGLES ±5°											

