

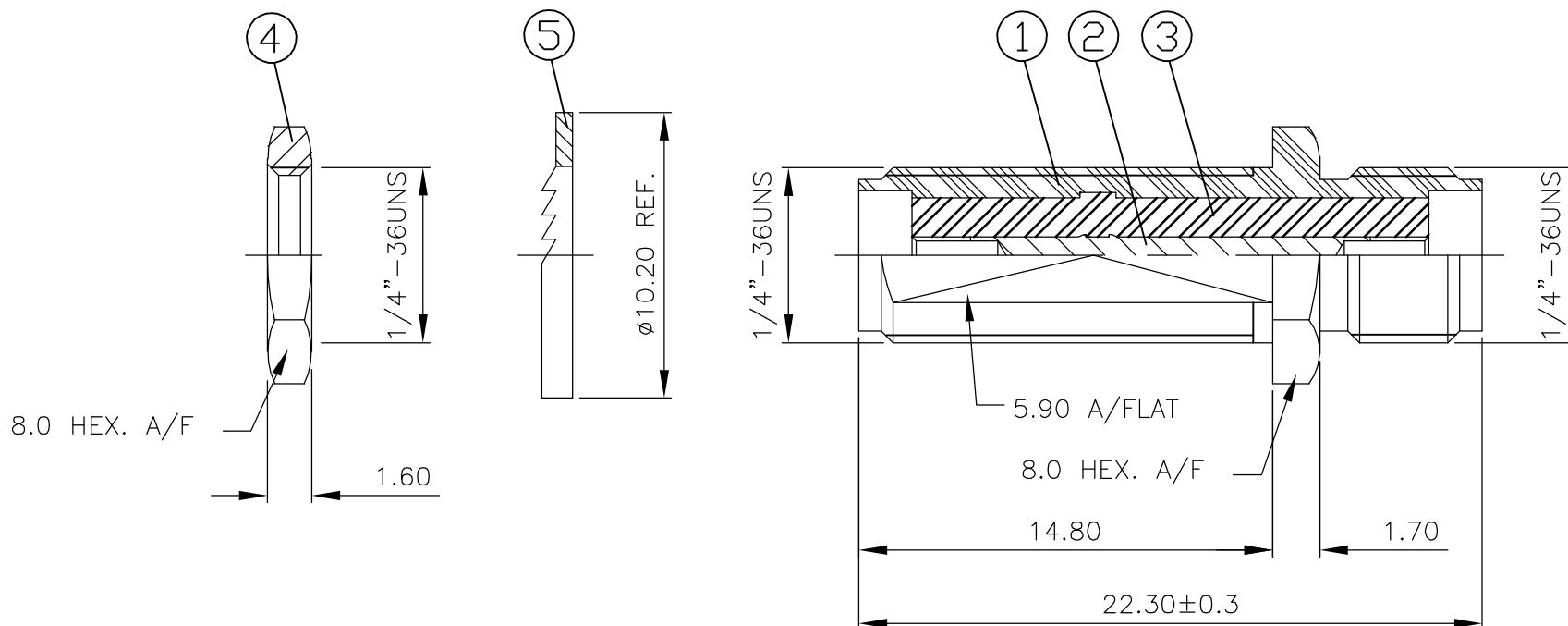
THIS DRAWING IS UNPUBLISHED. RELEASED FOR PUBLICATION APRIL , 2004.

© COPYRIGHT 2004 BY TYCO ELECTRONICS CORPORATION. ALL RIGHTS RESERVED.

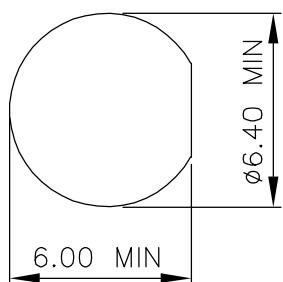
LOC	DIST	REVISIONS					
E	B	P	LTR	DESCRIPTION	DATE	DWN	APVD
		A		EBD0-0035-03	17FEB04	RS	FWK

NOTES:

- ① SINGLE PACK IN ACCORDANCE WITH SPEC 107-3275
- ② 100 TRAY PACK IN ACCORDANCE WITH SPEC 107-3275
- ③ 0.08μm Au PLATING OVER 1.27μm Ni PLATING
- ④ 0.08μm Au PLATING OVER 1.27μm Ni PLATING OVER 0.76μm Cu PLATING
- ⑤ 0.76μm Au PLATING OVER 1.27μm Ni PLATING OVER 0.76μm Cu PLATING
- ⑥ PASSIVATED
- ⑦ WHITE BRONZE PLATING
- ⑧ PLATING AS PER BODY, EXCEPT FOR PASSIVATED WHICH IS NICKEL PLATED
- 9 FOR TECHNICAL DATA REFER TO YOUR LOCAL TYCO ELECTRONICS SALES OFFICE
- 10 ALL DIMENSIONS ARE NOMINAL FOR REFERENCE ONLY UNLESS OTHERWISE STATED



RECOMMENDED MOUNTING HOLE DIM'S



1	1	1	1	1	1	1	1	STAINLESS STEEL	⑧	WASHER	5
1	1	-	-	-	-	-	-	BRASS	⑦	NUT	4
-	-	1	1	-	-	-	-	BRASS	④	NUT	4
-	-	-	-	1	1	1	1	STAINLESS STEEL	⑧	NUT	4
1	1	1	1	1	1	1	1	PTFE		INSULATOR	3
1	1	1	1	1	1	1	1	BERYLLIUM COPPER	⑤	CENTER SOCKET	2
1	1	-	-	-	-	-	-	BRASS	⑦	BODY	1
-	-	1	1	-	-	-	-	BRASS	④	BODY	1
-	-	-	-	1	1	-	-	STAINLESS STEEL	⑥	BODY	1
-	-	-	-	-	-	1	1	STAINLESS STEEL	③	BODY	1
4--1	4--0	3--1	3--0	2--1	2--0	1--1	1--0	MATERIAL		DESCRIPTION	ITEM
②	①	②	①	②	①	②	①				
QUANTITY PER ASSY								PARTS LIST			

THIS DRAWING IS A CONTROLLED DOCUMENT.		DWN R.SMITH 17FEB04	Tyco Electronics Corporation Bideford, UK, EX39 4HE															
DIMENSIONS: mm		CHK S.PARLOW 17FEB04																
TOLERANCES UNLESS OTHERWISE SPECIFIED:		APVD F.WHEELER-KING 17FEB04	NAME SMA BULKHEAD ADAPTOR, JACK - JACK															
<table border="1"> <tr><td>0 PLC</td><td>± -</td></tr> <tr><td>1 PLC</td><td>± -</td></tr> <tr><td>2 PLC</td><td>± -</td></tr> <tr><td>3 PLC</td><td>± -</td></tr> <tr><td>4 PLC</td><td>± -</td></tr> <tr><td>ANGLES</td><td>± -</td></tr> <tr><td>FINISH</td><td>± -</td></tr> </table>		0 PLC	± -	1 PLC	± -	2 PLC	± -	3 PLC	± -	4 PLC	± -	ANGLES	± -	FINISH	± -	PRODUCT SPEC 108-3460	RESTRICTED TO	
0 PLC	± -																	
1 PLC	± -																	
2 PLC	± -																	
3 PLC	± -																	
4 PLC	± -																	
ANGLES	± -																	
FINISH	± -																	
MATERIAL SEE TABLE		APPLICATION SPEC 411-3276	SIZE A3	CAGE CODE 00779														
		WEIGHT -	DRAWING NO C-1478984	REV A														
CUSTOMER DRAWING			SCALE 1:1	SHEET 1 OF 1														