

PRODUCT NUMBER

10122828-001LF

NOTES :

1. MATERIALS:

A. HOUSING:

HIGH TEMPERATURE THERMOPLASTIC MATERIAL (LCP), UL 94V-0, COLOR: BLACK.
 MAXIMUM REGRIND MATERIAL IS NOT TO EXCEED 25%.

B. CONTACT & METAL RACKS: COPPER ALLOY.

2. FINISH:

2.1) SATA SIGNAL & POWER PINS: (MATING SIDE)

1.27um [50u"] MINIMUM, 2.54um [100u"] MAXIMUM NICKEL UNDER
 PLATE WITH 0.38um [15u"] MINIMUM GOLD IN CONTACT AREA.

2.2) JUMPER PINS (MATING SIDE)

1.27um [50u"] MINIMUM, 2.54um [100u"] MAXIMUM NICKEL UNDER
 PLATE WITH 0.127um [5u"] MINIMUM GOLD IN CONTACT AREA.

2.3) ALL SOLDER TAILS & METAL RACKS:

1.27um [50u"] MINIMUM, 2.54um [100u"] MAXIMUM NICKEL UNDER
 PLATE WITH 1.91um [75u"] MINIMUM PURE TIN IN CONTACT AREA.

3. PART MARKING: MANUFACTURE NAME, LOGO AND / OR DATE CODE SHALL
 BE MARKED THE SURFACE OF THE CONNECTOR APPROXIMATELY WHERE SHOWN.

4. ALTERNATE CORING AND RIB CONSTRUCTION FOR MOLDING PROCESS.

5. MOLD FLASH SHALL NOT COVER ANY PORTION OF THE MATING SURFACE AND
 SHALL NOT EXCEED 0.15mm MAX. AT NON-CRITICAL OR FUNCTIONAL AREA.

6. PACKAGING - 48 PCS PER TRAY (GS-14-1405).

7. THIS PRODUCT MEETS EUROPEAN UNION DIRECTIVES AND OTHER COUNTRY
 REGULATIONS AS DESCRIBED IN GS-47-0004.

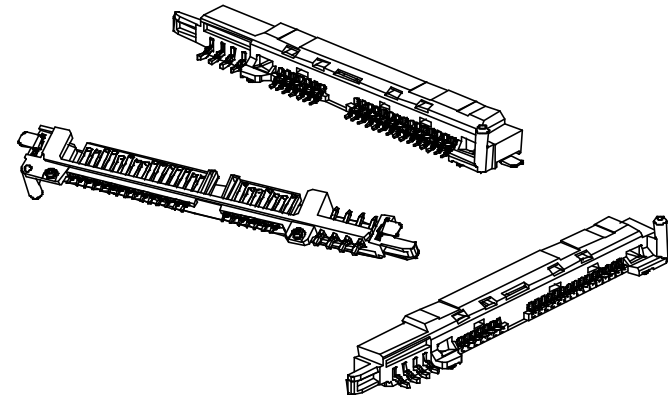
8. A Δ SYMBOL WILL BE NEXT TO ANY DIMENSION, NEW VIEW, OR NOTE
 WHICH HAS BEEN MODIFIED WITH THE CURRENT DRAWING REVISION.

9. THE RETENTION FORCE:

0.7 LBS MIN. PER PIN BEFORE & AFTER REFLOW TEMPERATURE.
 10 LBS MIN. PER HOUSING BEFORE & AFTER REFLOW TEMPERATURE.

10. FACES TO BE FLAT AND WITHOUT PARTING LINE AND GATE PLACEMENT.

11. INTERPRET DIMENSIONS ACCORDING TO ASME Y14.5M - 1994.

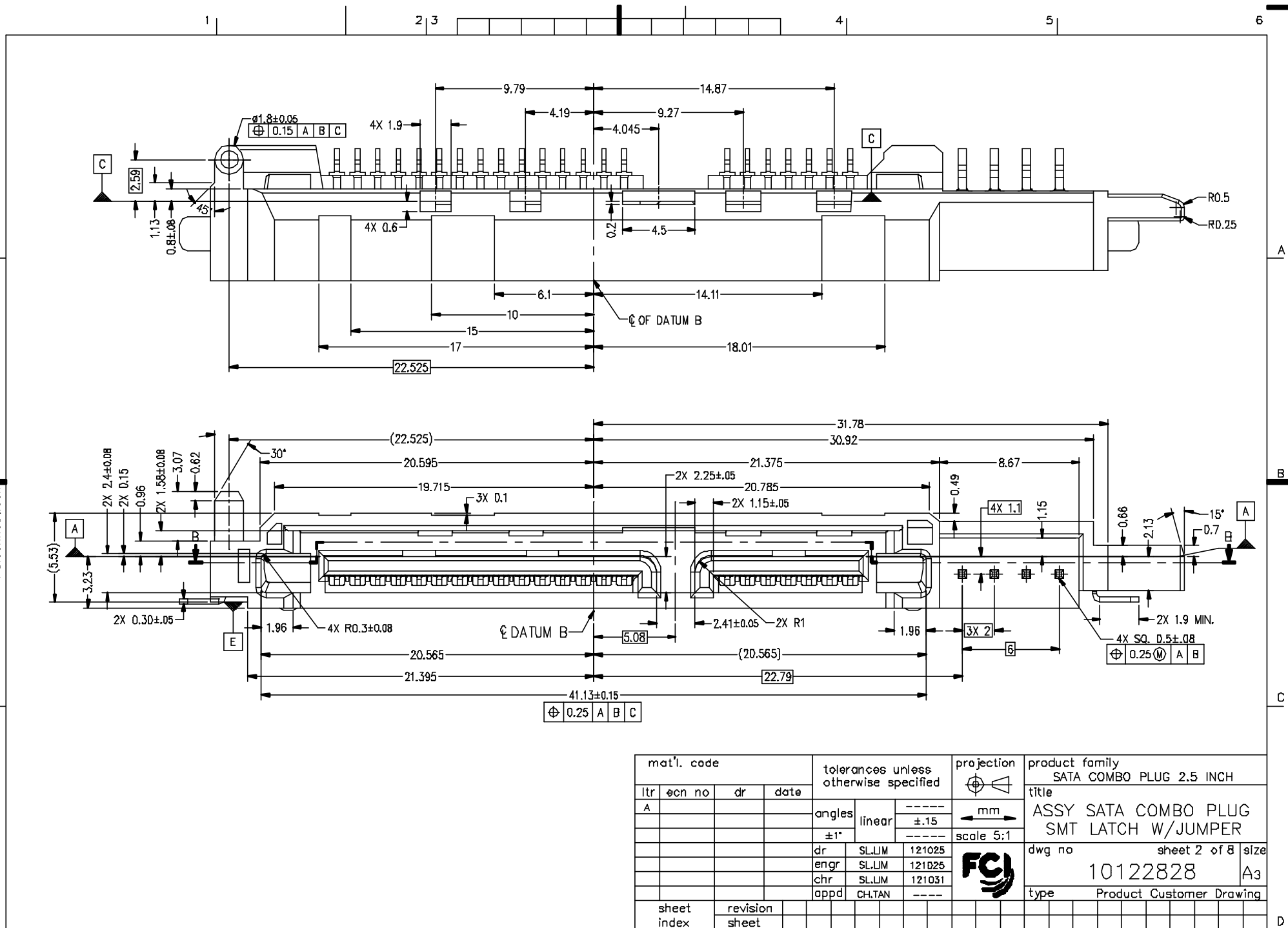


mat'l. code				tolerances unless otherwise specified				projection	product family				
itr				ecn no					SATA COMBO PLUG 2.5 INCH				
A				513-0043					title				
dr				SLJLM				ASSY. SATA COMBO PLUG					
date				131023				SMT LATCH W/JUMPER					
				angles	linear	-----		scale 1:1					
				±1"		±.15							
				dr	SLJLM	121025	dwg no						
				enr	SLJLM	121025	sheet 1 of 8						
				chr	SLJLM	121031	size						
				appd	CH.TAN	-----	10122828						
sheet index				revision	A	A	A	A	A	A	A	A	A
				sheet	1	2	3	4	5	6	7	8	
								type Product Customer Drawing					



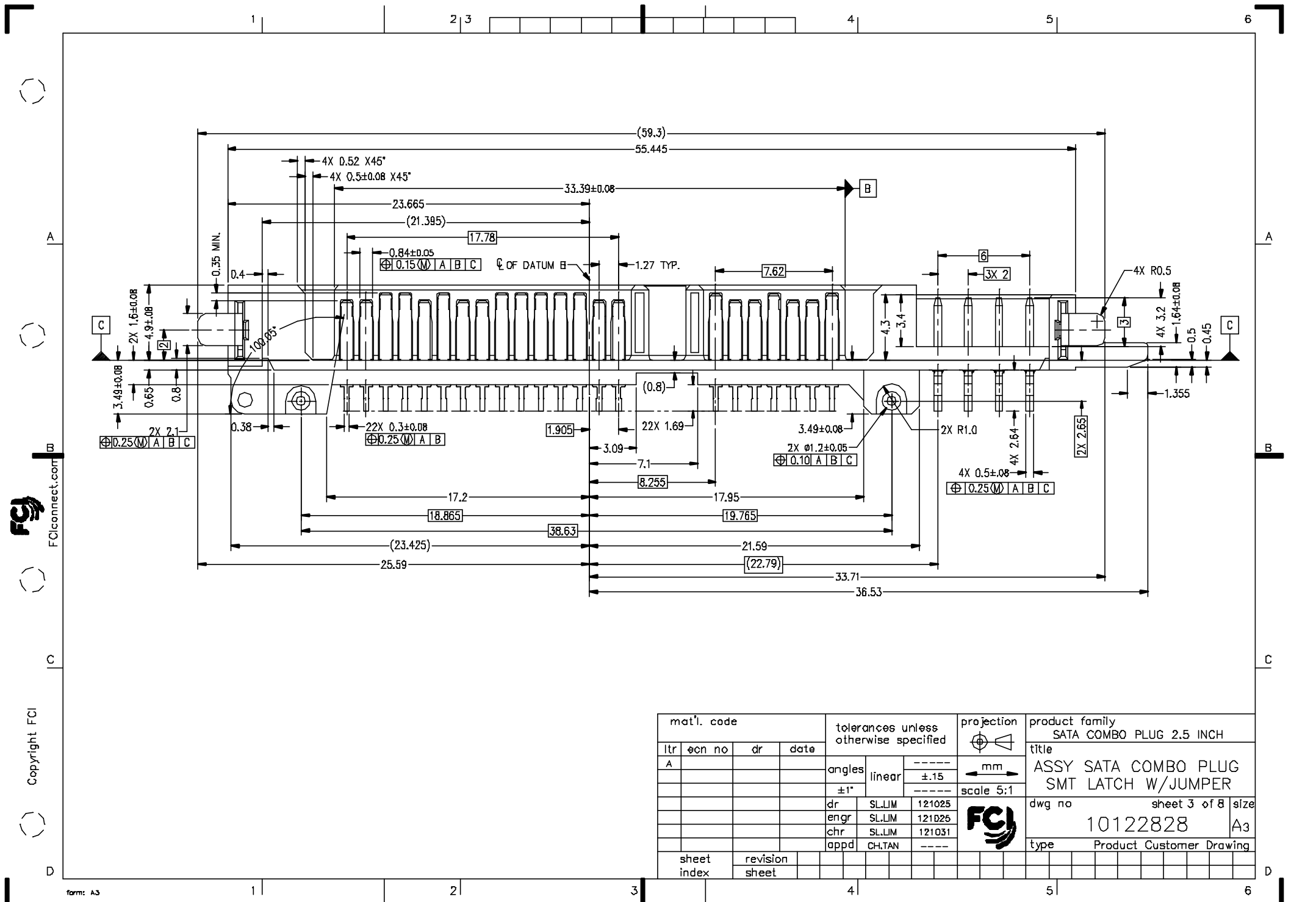
FCIconnect.com

Copyright FCI



mat'l. code				tolerances unless otherwise specified			projection	product family	
ltr	ecn no	dr	date	angles	linear	mm	SATA COMBO PLUG 2.5 INCH		
A				±1°	±.15	mm	title		
						scale 5:1	ASSY SATA COMBO PLUG SMT LATCH W/JUMPER		
				dr	SLJLM	121025	dwg no	sheet 2 of 8 size	
				enrg	SLJLM	121025	10122828	A3	
				chr	SLJLM	121031	type Product Customer Drawing		
				appd	CH.TAN				
sheet index	revision sheet								

form: A3

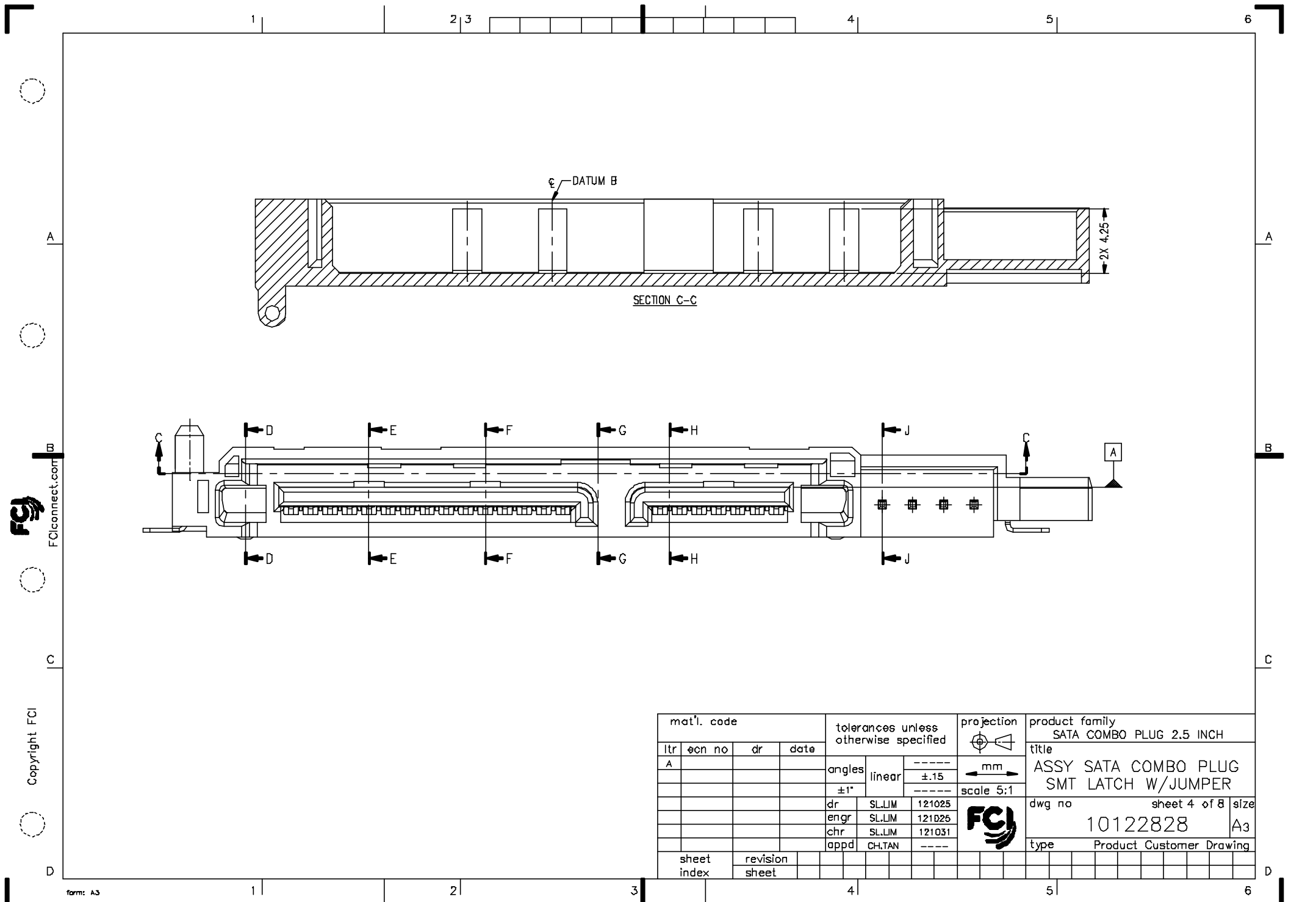


FCIconnect.com

Copyright FCI

mat'l. code				tolerances unless otherwise specified			projection	product family	
ltr	ecn no	dr	date	angles ±1°	linear	mm	SATA COMBO PLUG 2.5 INCH		
A							title		
							ASSY SATA COMBO PLUG		
							SMT LATCH W/JUMPER		
							scale 5:1	sheet 3 of 8 size	
							FCI	dwg no	
								10122828	
								A3	
								type Product Customer Drawing	
sheet index		revision sheet							

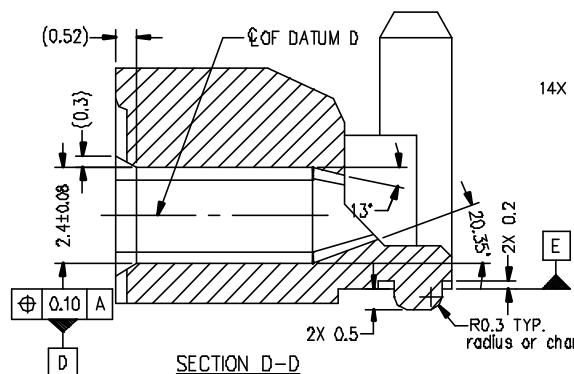
form: A3



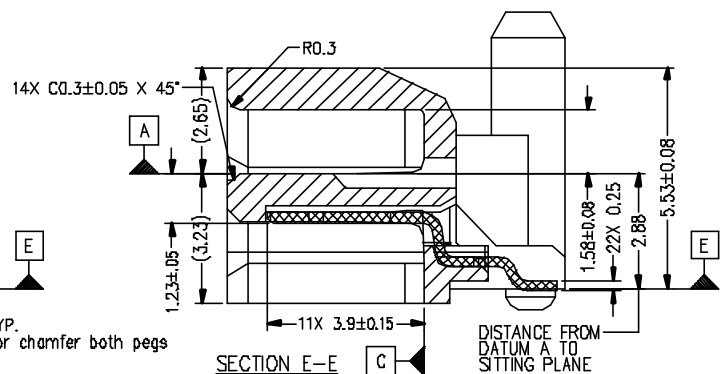
FCIconnect.com

Copyright FCI

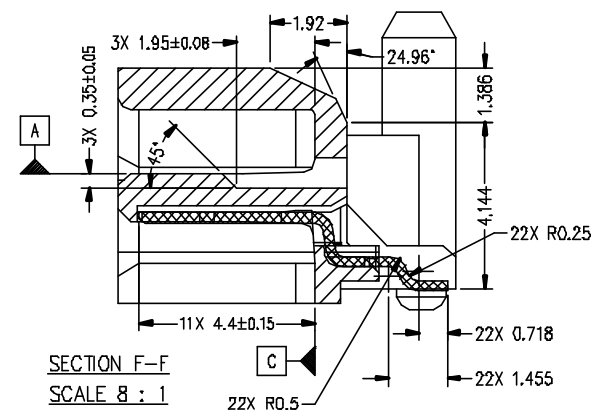
mat'l. code				tolerances unless otherwise specified			projection 	product family SATA COMBO PLUG 2.5 INCH	
ltr	ecn no	dr	date	angles ±1°	linear	----- ±.15 -----	mm ←→	title	
A								ASSY SATA COMBO PLUG SMT LATCH W/JUMPER	
				dr	SLJLM	121025	FCI	dwg no	
				enr	SLJLM	121026		sheet 4 of 8	
				chr	SLJLM	121031		size	
				appd	CH.TAN	----		A3	
sheet index		revision sheet						type	
								Product Customer Drawing	



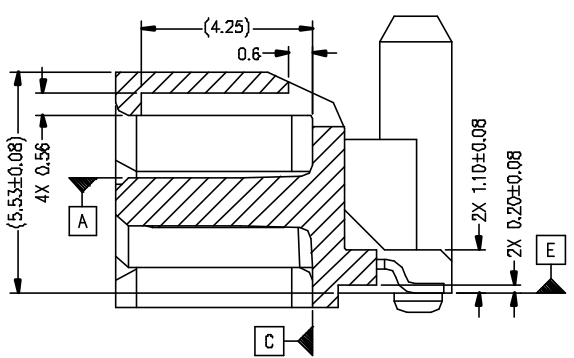
SECTION D-D
SCALE 8 : 1



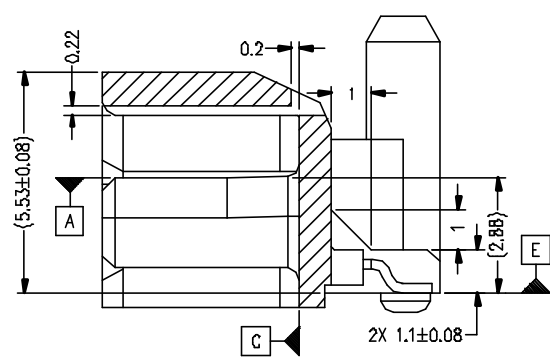
SECTION E-E
SCALE 8 : 1



SECTION F-F
SCALE 8 : 1

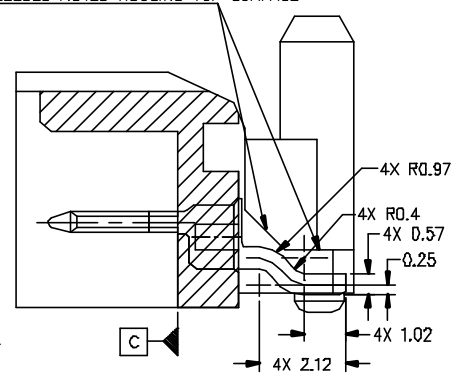


SECTION H-H
SCALE 8 : 1



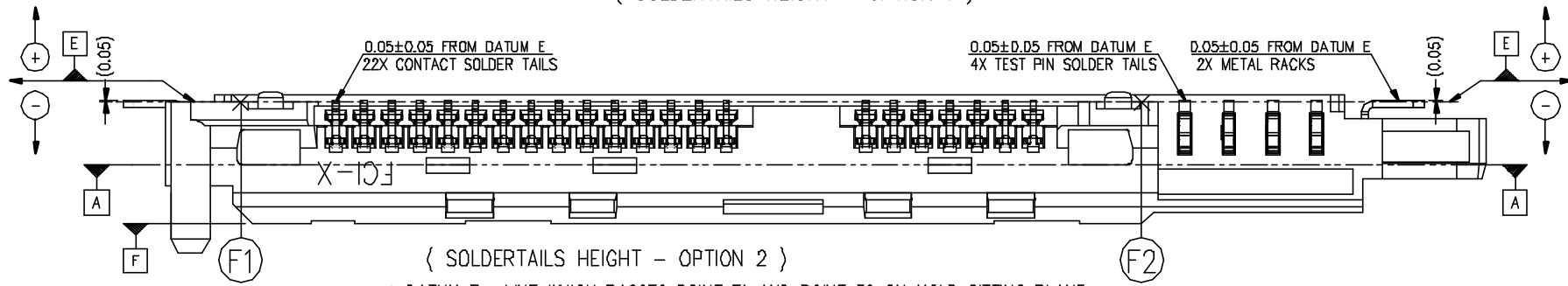
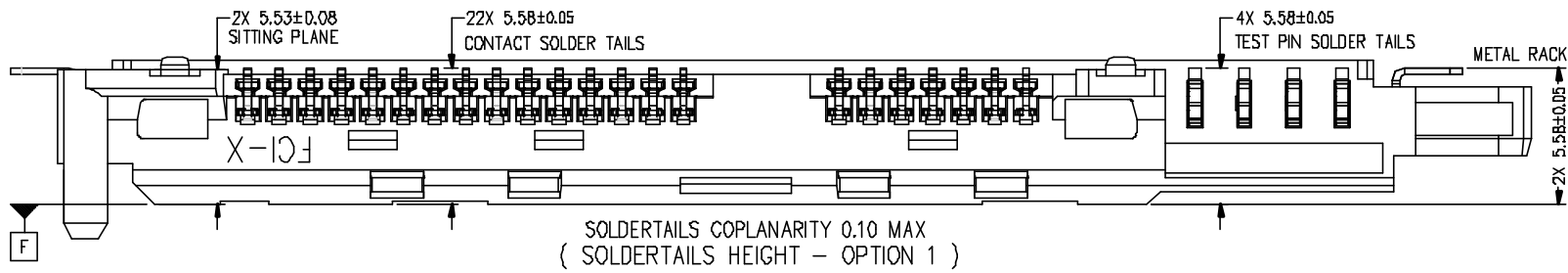
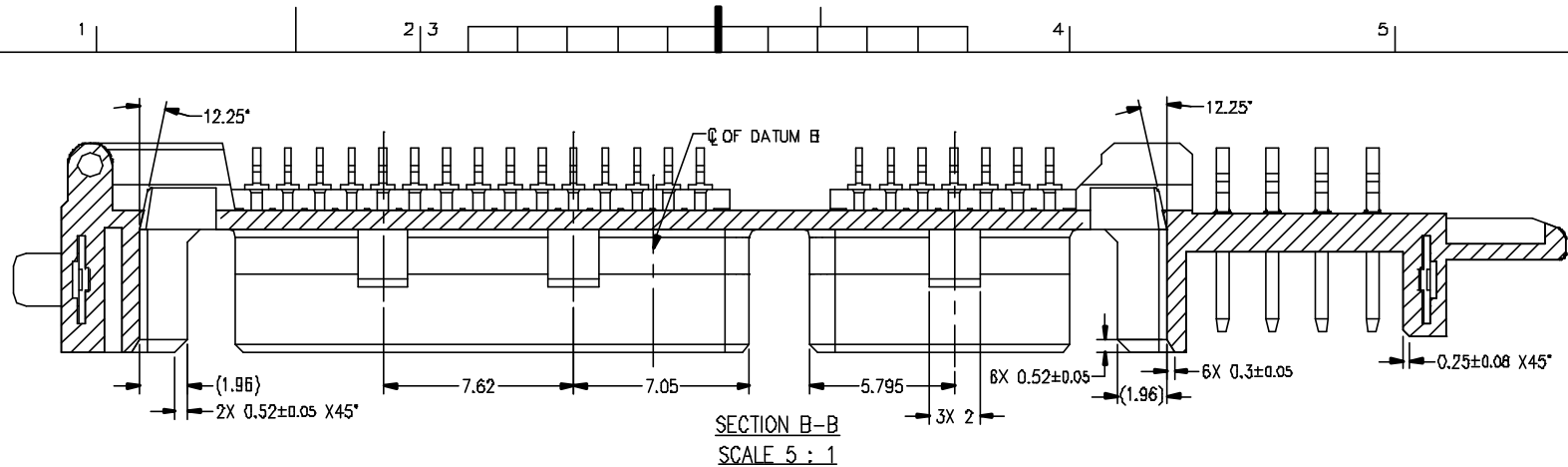
SECTION G-G
SCALE 8 : 1

4 PIN SOLDER TAILS SHALL NOT BE EXCEEDED NOTED HOUSING TOP SURFACE



SECTION J-J
SCALE 8 : 1

mat'l. code				tolerances unless otherwise specified			projection	product family	
ltr	ecn no	dr	date	angles	linear	-----	SATA COMBO PLUG 2.5 INCH		
A				±1°	±.15	mm	title		
					-----	scale 5:1	ASSY SATA COMBO PLUG		
				dr	SL.LJM	121025	SMT LATCH W/JUMPER		
				enr	SL.LJM	121025	dwg no	sheet 5 of 8	
				chr	SL.LJM	121031	10122828	A3	
				appd	CH.TAN	-----	type Product Customer Drawing		
sheet index		revision sheet							

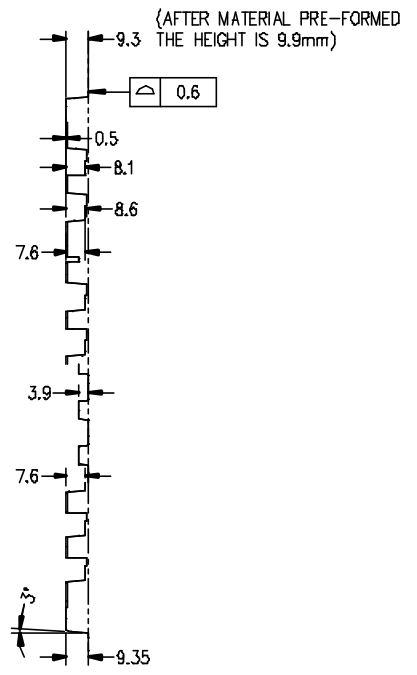
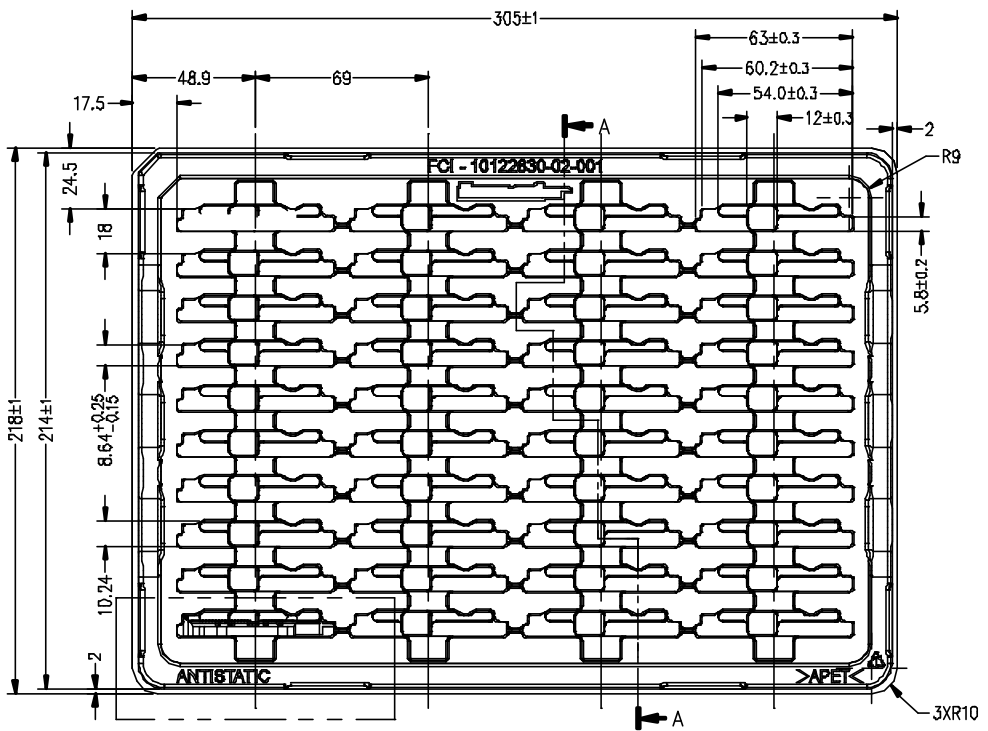


{ SOLDERTAILS HEIGHT - OPTION 2 }

* DATUM F : LINE WHICH PASSES POINT F1 AND POINT F2 ON MOLD SITTING PLANE

* SOLDERTAILS COPLANARITY 0.10MAX

mat'l. code				tolerances unless otherwise specified			projection	product family	
ltr	ecn no	dr	date	angles ±1°	linear ±.15	mm	SATA COMBO PLUG 2.5 INCH		
A							title		
							ASSY SATA COMBO PLUG SMT LATCH W/JUMPER		
				dr	SLJIM	121025	dwg no	sheet 6 of 8	
				enr	SLJIM	121025	10122828	size	
				chr	SLJIM	121031		A3	
				appd	CH.TAN		type Product Customer Drawing		
sheet index		revision sheet							



SECTION A-A

NOTES:

1. MATERIAL: APET ANTI-STATIC, COLOR: CLEAR (TRANSPARENT).
MATERIAL THICKNESS : 0.6mm.
2. NO SPOT, FRACTURE ON SURFACE.
3. HALOGEN FREE COMPLIANT.
4. TOLERANCE UNLESS OTHERWISE SPECIFIED:
 10 < : ±0.3mm
 10 TO 250 : ±0.5mm
 >250 : ±1mm
 DRAFT ANGLE : ±5°

mat'l. code				tolerances unless otherwise specified			projection	product family		
ltr	ecn no	dr	date	angles	linear	mm	SMT 2.5 SATA PLUG			
A							title			
							40 CAVITY TRAY FOR M9T SMT 2.5 SATA PLUG			
							scale 1:2		sheet 8 of 8	
							FCI		size	
									A3	
									10122828	
									type	
									Product Customer Drawing	
sheet index		revision sheet								