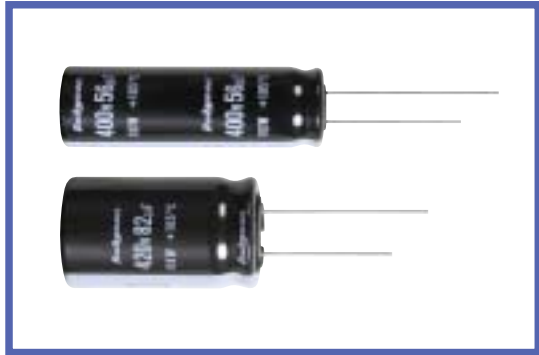


VXW SERIES

Previous Series



◆ **FEATURES**

- Load Life : 105°C 10000 hours.
- Body diameter of φ 12.5mm to φ 18mm with high ripple current capability.
- Longer life than the current AXW series.
- RoHS compliance.

◆ **SPECIFICATIONS**

Items	Characteristics										
Category Temperature Range	-25~+105°C										
Rated Voltage Range	200 · 400 · 420 · 450V.DC										
Capacitance Tolerance	±20% (20°C, 120Hz)										
Leakage Current(MAX)	$I=3\sqrt{CV}$ (After 5 minutes application of rated voltage) I=Leakage Current(μA) C=Rated Capacitance(μF) V=Rated Voltage(V)										
Dissipation Factor(MAX) (tanδ)	<table border="1"> <thead> <tr> <th>Rated Voltage (V)</th> <th>200</th> <th>400</th> <th>420~450</th> <th>(20°C, 120Hz)</th> </tr> </thead> <tbody> <tr> <td>tanδ</td> <td>0.15</td> <td>0.15</td> <td>0.20</td> <td></td> </tr> </tbody> </table>	Rated Voltage (V)	200	400	420~450	(20°C, 120Hz)	tanδ	0.15	0.15	0.20	
Rated Voltage (V)	200	400	420~450	(20°C, 120Hz)							
tanδ	0.15	0.15	0.20								
Endurance	After applying rated voltage with rated ripple current for 10000hrs at 105°C, the capacitors shall meet the following requirements. <table border="1"> <tbody> <tr> <td>Capacitance Change</td> <td>Within ±20% of the initial value.</td> </tr> <tr> <td>Dissipation Factor</td> <td>Not more than 200% of the specified value.</td> </tr> <tr> <td>Leakage Current</td> <td>Not more than the specified value.</td> </tr> </tbody> </table>	Capacitance Change	Within ±20% of the initial value.	Dissipation Factor	Not more than 200% of the specified value.	Leakage Current	Not more than the specified value.				
Capacitance Change	Within ±20% of the initial value.										
Dissipation Factor	Not more than 200% of the specified value.										
Leakage Current	Not more than the specified value.										
Impedance Ratio(MAX)	<table border="1"> <thead> <tr> <th>Rated Voltage(V)</th> <th>200</th> <th>400~450</th> <th>(120Hz)</th> </tr> </thead> <tbody> <tr> <td>Z(-25°C)/Z(20°C)</td> <td>3</td> <td>8</td> <td></td> </tr> </tbody> </table>	Rated Voltage(V)	200	400~450	(120Hz)	Z(-25°C)/Z(20°C)	3	8			
Rated Voltage(V)	200	400~450	(120Hz)								
Z(-25°C)/Z(20°C)	3	8									

◆ **MULTIPLIER FOR RIPPLE CURRENT**

Frequency coefficient

Frequency(Hz)	60(50)	120	500	1k	10k≤
Coefficient					
200WV	0.8	1.0	1.20	1.30	1.40
400~450WV	0.8	1.0	1.25	1.40	1.50

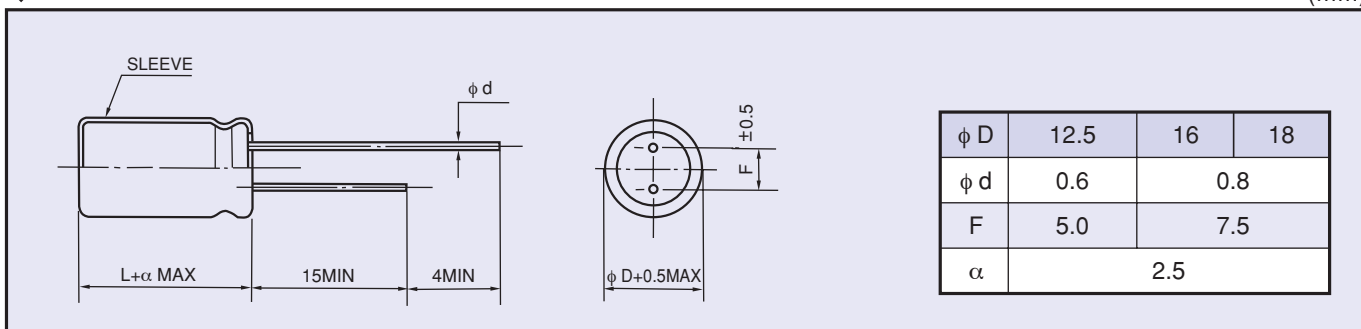
◆ **PART NUMBER**

 VXW

Rated Voltage Series Rated Capacitance Capacitance Tolerance Option Lead Forming Case Size

◆ DIMENSIONS

(mm)



◆ STANDARD SIZE, RATED RIPPLE CURRENT

Cap (μF)	WV φ D	200					
		φ 12.5		φ 16		φ 18	
120		12.5×30	0.53				
150		12.5×35	0.62				
180		12.5×40	0.70				
220				16×30	0.76	18×30	0.81
270				16×35	0.88	18×30	0.87
330				16×40	1.10	18×35	1.01
390						18×40	1.13
470						18×45	1.27

Cap (μF)	WV φ D	400					
		φ 12.5		φ 16		φ 18	
39		12.5×30	0.32				
47		12.5×35	0.37				
56		12.5×40	0.42				
68				16×30	0.48		
82				16×30	0.50		
100				16×35	0.58	18×30	0.58
120				16×40	0.66	18×35	0.67
150						18×40	0.77
180						18×45	0.88

Cap (μF)	WV φ D	420						450					
		φ 12.5		φ 16		φ 18		φ 12.5		φ 16		φ 18	
27							12.5×30	0.25					
33		12.5×30	0.27				12.5×35	0.28					
39		12.5×35	0.31				12.5×40	0.32					
47		12.5×40	0.36						16×30	0.38			
56				16×30	0.43				16×35	0.44			
68				16×35	0.51	18×30	0.51		16×40	0.49	18×30	0.48	
82				16×40	0.57	18×30	0.57				18×30	0.55	
100						18×35	0.61				18×35	0.65	
120						18×40	0.66				18×40	0.74	

Please check with us about individual WV, Cap., size and dimensions.

Size φ D×L(mm) ↑
Ripple Current (A r.m.s./105°C, 120Hz) ↑