

Tous droits strictement reserves. Reproduction ou communication a des tiers interdite sous quelque forme que ce soit sans autorisation écrite du propriétaire. Propriete de c FCI. Droits de reproduction FCI.



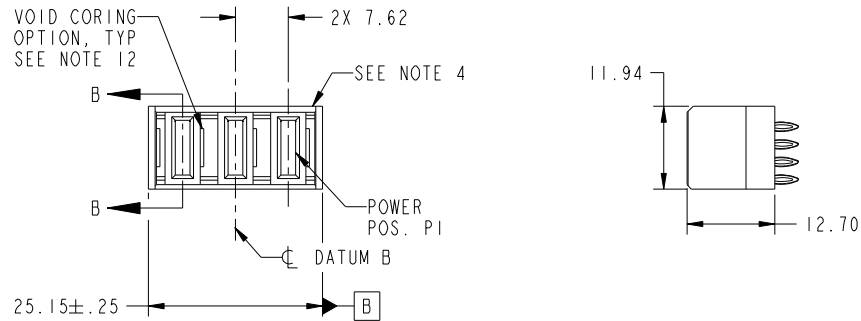
All rights strictly reserved. Reproduction or issue to third parties in any form whatever is not permitted without written authority from the proprietor. Property of FCI. Copyright FCI.

PRODUCT NO. 51940-254-- NOTE: 3	POWER		
	P3	P2	P1
	PF	PF	PC

1 | 2

3 |

4



A

A

B

B

CODE	DIM "M" MATING LENGTH	CONTACT TYPE
PF	[2.34]	POWER
PC	[1.07]	POWER

mat'l code				SEE NOTE	tolerances unless otherwise specified		CUSTOMER	FCI					
ltr	ecm no.	dr	date	linear	0.X ± 0.5	projection	COPY	www.fciconnect.com					
A	DG09-0209	JC	02-Jul-09	angles	0.XX ± 0.25				title	3ACP			
				dr	0.XXX ± 0.10					VERTICAL PRESS-FIT RECEPT			
				enr	0° ± 2°		scale	product family	PwrBlade	code	213		
				chr				size	dwg no	51940-254		sheet	1 of 4
				appd				A					
sheet index	revision sheet	A	A	A	A								
		1	2	3	4								

1 | 2

Pro/E

3 |

cage code 22526

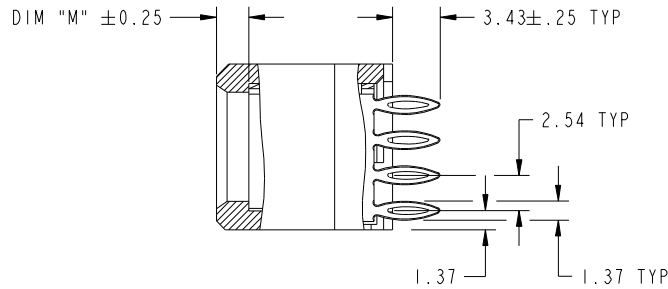
4

Tous droits strictement reserves. Reproduction ou communication a des tiers interdite sous quelque forme que ce soit sans autorisation écrite du propriétaire. Propriete de c FCI. Droits de reproduction FCI.



All rights strictly reserved. Reproduction or issue to third parties in any form whatever is not permitted without written authority from the proprietor. Property of FCI. Copyright FCI.

PRODUCT NUMBER  
51940-254--  
NOTE: 3



SECTION B-B  
SCALE 2:1

mat'l code		SEE NOTE		tolerances unless otherwise specified		CUSTOMER		 www.fciconnect.com	
ltr	ecn no.	dr	date	linear	0.X ±0.5	COPY		title	
A					0.XX ±0.25	projection		3ACP	
				angles	0.XXX ±0.10			VERTICAL PRESS-FIT RECEIPT	
				dr	0° ±2°			product family PwrBlade code	
				enr	Jerome Chen 06/18/08	scale		size	
				chr	Jerome Chen 06/18/08	1:1		dwg no	
				appd	Gary Hsieh 06/18/08	A		51940-254	
					Joseph Hsieh 06/18/08			sheet	
sheet index	revision sheet							2	

cage code 22526

Pro/E

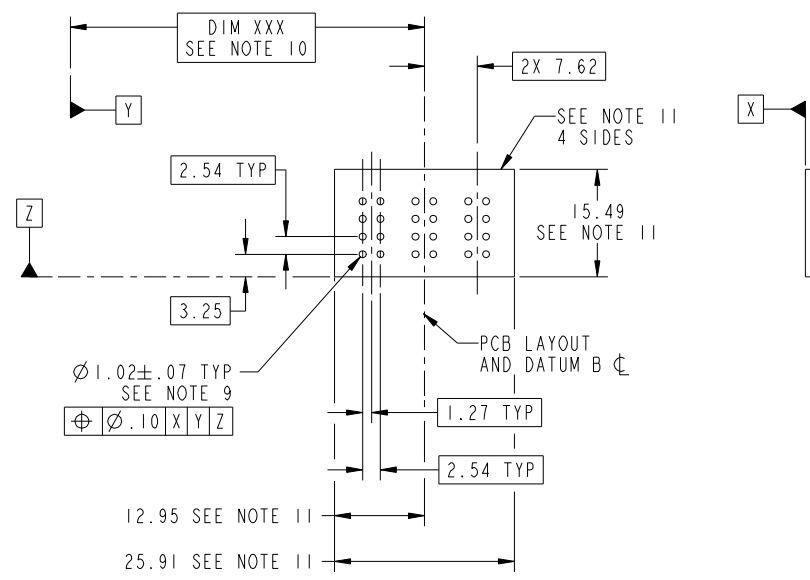
Tous droits strictement reserves. Reproduction ou communication a des tiers interdite sous quelque forme que ce soit sans autorisation écrite du propriétaire. Propriete de c FCI. Droits de reproduction FCI.



All rights strictly reserved. Reproduction or issue to third parties in any form whatever is not permitted without written authority from the proprietor. Property of FCI. Copyright FCI.

PRODUCT NUMBER  
51940-254--  
NOTE: 3

1 | 2 | 3 | 4



RECOMMENDED PCB LAYOUT

mat'l code		SEE NOTE		tolerances unless otherwise specified		CUSTOMER		www.fciconnect.com	
ltr	ecn no.	dr	date	linear	0.X ± 0.5	COPY		title	
A					0.XX ± 0.25	projection		3ACP	
				angles	0.XXX ± 0.10			VERTICAL PRESS-FIT RECEPT	
					0° ± 2°			product family PwrBlade code	
		dr	Jerome Chen	06/18/08		scale		size	
		enr	Jerome Chen	06/18/08		1:1		dwg no	
		chr	Gary Hsieh	06/18/08				213	
		app	Joseph Hsieh	06/18/08				sheet	
sheet index		revision sheet						3	
								cage code	
								22526	

1 | 2 | Pro/E | 3 | cage code 22526 | 4

A

A

B

B

Tous droits strictement reserves. Reproduction ou communication a des tiers interdite sous quelque forme que ce soit sans autorisation écrite du propriétaire. Propriete de c FCI. Droits de reproduction FCI.



All rights strictly reserved. Reproduction or issue to third parties in any form whatever is not permitted without written authority from the proprietor. Property of FCI. Copyright FCI.

PRODUCT NUMBER  
51940-254--  
NOTE: 3

NOTES:

1. DIMENSIONS AND TOLERANCES ARE IN ACCORDANCE WITH ASME Y14.5M, 1994 UNLESS OTHERWISE SPECIFIED.

CONNECTOR NOTES:

- 2 HOUSING MATERIAL: UL 94 V-0 GLASS FILLED HIGH-TEMP THERMOPLASTIC  
POWER CONTACT MATERIAL: COPPER ALLOY  
SIGNAL PIN MATERIAL: COPPER ALLOY
  - 3. PLATING SPEC.  
SEE ITEM 7 & 8 IN PRINT 10064183 FOR PLATING SPEC OF 51940-254 AND 51940-254LF RESPECTIVELY
  - 4 MANUFACTURER'S NAME, P/N, AND DATE CODE TO APPEAR ON THIS SURFACE.
  - 5. PRODUCT SPECIFICATION GS-12-149.  
APPLICATION SPECIFICATION BUS-20-067.
  - 6. PACKAGED IN TRAYS.
- PCB NOTES:
- 7. ALL HOLE DIAMETERS ARE FINISHED HOLE SIZE.
  - 8 MOUNTING HOLES, WHERE APPLICABLE, ARE UNPLATED.
  - 9  $\varnothing 1.151 \pm 0.025$  DRILLED HOLES PLATED WITH 0.008 MIN SnPb OR Sn OVER 0.03 TO 0.08 Cu PLATING TO ACHIEVE  $\varnothing 1.02 \pm .07$  HOLE.
  - 10 "DIM XXX" TO BE DETERMINED BY THE CUSTOMER.
  - 11 CONNECTOR KEEP-OUT ZONE.
  - 12. THE VOID CORING IN BETWEEN POWER MODULES, SIGNAL MODULES AND END MODULES ARE OPTIONAL AND THE SHAPE MAY BE DIFFERENT FOR OPTIMIZING THE MOLDING PROCESS. THE VOID CORING WILL NOT EFFECT TO PRODUCT FUNCTION.

mat'l code		SEE NOTE		tolerances unless otherwise specified		CUSTOMER		www.fciconnect.com	
ltr	ecn no.	dr	date	linear	0.X ± 0.5	COPY		title	
A					0.XX ± 0.25	projection		3ACP	
				angles	0.XXX ± 0.10			VERTICAL PRESS-FIT RECEPT	
				dr	0° ± 2°			product family PwrBlade code	
				enrg	Jerome Chen 06/18/08	scale		size	
				chr	Jerome Chen 06/18/08	1:1		dwg no	
				appd	Gary Hsieh 06/18/08	A		51940-254	
					Joseph Hsieh 06/18/08			sheet	
sheet index	revision sheet							4	

cage code 22526

Pro/E