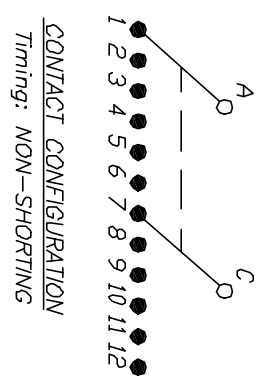
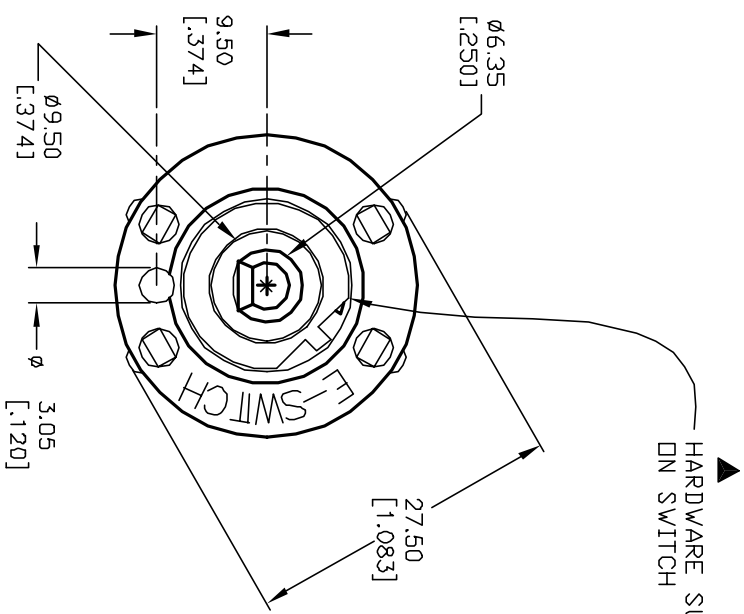


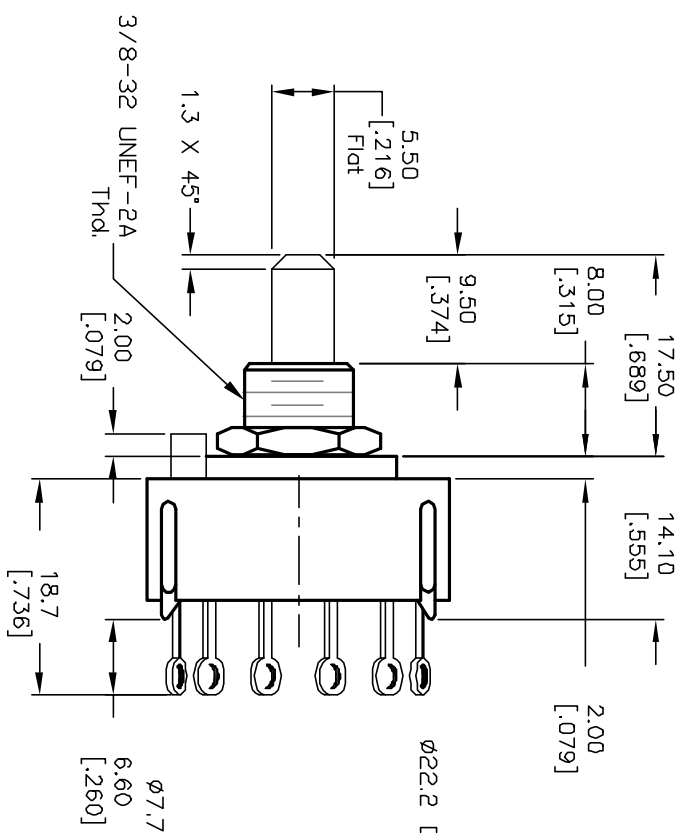
- NOTES:
1. ALL DIMENSION IN MM [INCH]
  2. GENERAL TOLERANCE: X.X=±0.4  
X.XX=±0.25
  3. TERM. NOS. FOR REF. ONLY
  4. CONTACT RATING SWITCHING: 150mA, 250V AC/DC  
350mA, 110V AC/DC
  5. OPERATING FORCE: 425±100 CM/STANDARD
  6. OPERATING TEMP: -30° to 85°C
  7. CIRCUIT DP: 6 POSITIONS, 30° INDEX, NO STOPS.
  8. DIELECTRIC STRENGTH: 1000V RMS min.@Seo Level
  9. DESIGNATE MAJOR FEATURE
  10. HARDWARE SUPPLIED ON SWITCH— SEE BELOW  
LOCKRING, LOCKWASHER, & HEX NUT



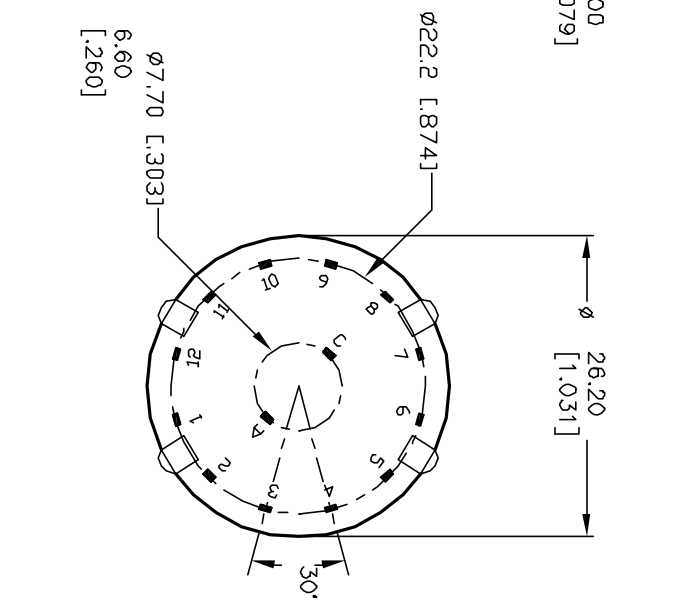
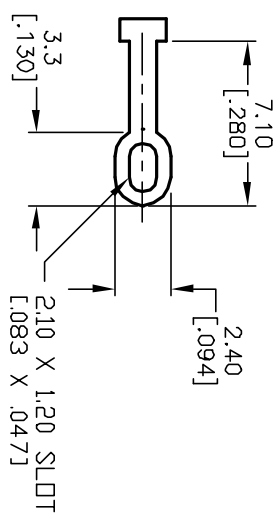
▲ HARDWARE SUPPLIED ON SWITCH



▲



TERMINATION DETAIL  
SCALE 2X



**E-SWITCH®**

TITLE		SCALE		DATE		DR		DWG		REV	
KC2049.501NLS		1.5:1		3/27/03		AR		G510199		A	
REV.	ECN No.	DESCRIPTION	DATE	CHKD							
A	12969	RELEASED FOR PRODUCTION	3/27/03	AR							
THE INFORMATION CONTAINED IN THIS DOCUMENT IS PROPRIETARY TO E-SWITCH AND IS NOT TO BE COPIED OR TRANSFERRED											