

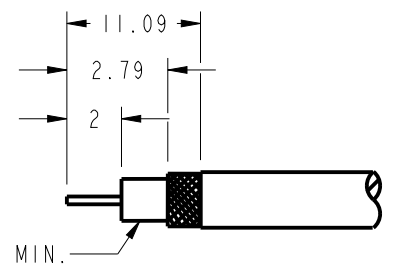
NOTES:

1. MATERIALS AND FINISHES:
 BODY, BARREL, & SLEEVE - BRASS, ALBALOY PLATING
 FERRULE - COPPER, ALBALOY PLATING
 CONTACT - BRASS, GOLD PLATING
 OUTER CONTACT - PHOSPHOR BRONZE, ALBALOY PLATING
 INSULATOR - PTFE, NATURAL
2. ELECTRICAL:
 A. IMPEDANCE: 50 OHM
 B. FREQUENCY RANGE: DC - 6 GHz
 C. DIELECTRIC WITHSTANDING VOLTAGE: 1000 VRMS, MIN.
3. MECHANICAL:
 A. DURABILITY: 100 CYCLES MIN.
 B. TEMPERATURE RANGE: -40° C TO +85° C
4. PACKAGING:
 A. QUANTITY: SINGLE PACK
 B. MARKING: BAG TO BE MARKED
 "AMPHENOL RF, 134104, AND DATE CODE"
5. RECOMMENDED CABLE ASSEMBLY INSTRUCTIONS:
 A. TRIM CABLE AS SHOWN.
 B. SOLDER CABLE CENTER CONDUCTOR TO CONTACT.
 C. INSERT CABLE WITH FOIL ENTERING CONNECTOR AND BRAID OVER KNURL.
 D. CRIMP FERRULE OVER BRAID WITH 0.255" HEX DIE.

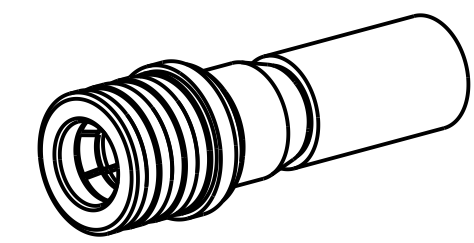
THIRD ANGLE PROJ.

REVISIONS

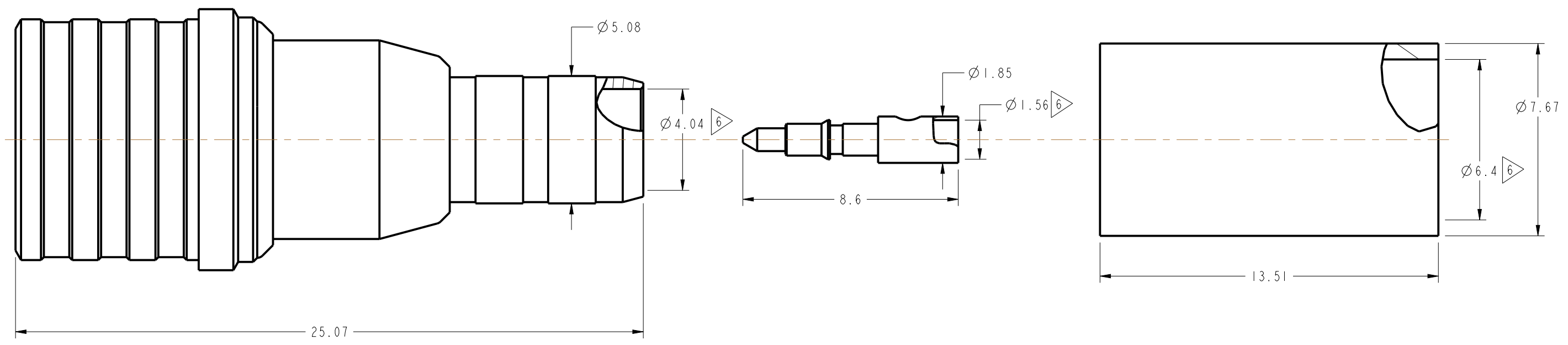
REV	DESCRIPTION	DATE	ECO	APPR
B	NO. 2 WAS CHANGED \RD-DM06072801C	08-14-06	--	--
C	NO. 5 WAS CHANGED \RD-DM06121501J	12-19-06	--	--
D	NO. 5 WAS CHANGED \RD-DM07060601K	06-12-07	--	--
E	RE-DRAW IN PRO-E, REVISE BODY FOR ADDITIONAL INSULATOR RETENTION	12/15/16	02649	KCE



RECOMMENDED CABLE STRIPPING DIM'S
NOT TO SCALE



SHOWS CABLE ENTRY DIMENSIONS.



CUSTOMER OUTLINE DRAWING

ALL OTHER SHEETS ARE FOR INTERNAL USE ONLY

UNLESS OTHERWISE SPECIFIED, DIMENSIONS ARE IN METRIC AND TOLERANCES ARE: <0.5mm ±0.05mm 0.5 - 6mm ±0.1mm 6 - 30mm ±0.2mm 30 - 120mm ±0.3mm ANGLES ±1°	MATERIAL	DRAWN	DATE	TITLE	Amphenol RF www.amphenolrf.com	
	SEE BOM	K. ELMES	08-Dec-16	QMA 50 OHM PLUG		
	REFERENCE	ENGINEER	DATE	APPROVED	DATE	DRAWING NO. QMA1121A1-AT30GS-LMR240-50
	CONFIGURATION LEVEL: In Work	K. CAPOZZI	12/15/16	CAD FILE	SCALE: 2.0:1.0 SHEET 2 OF 2	ITEM NO. 701121AAAA1AR5F
FINISH				DWG SIZE B	REV E	PART NO. 134104