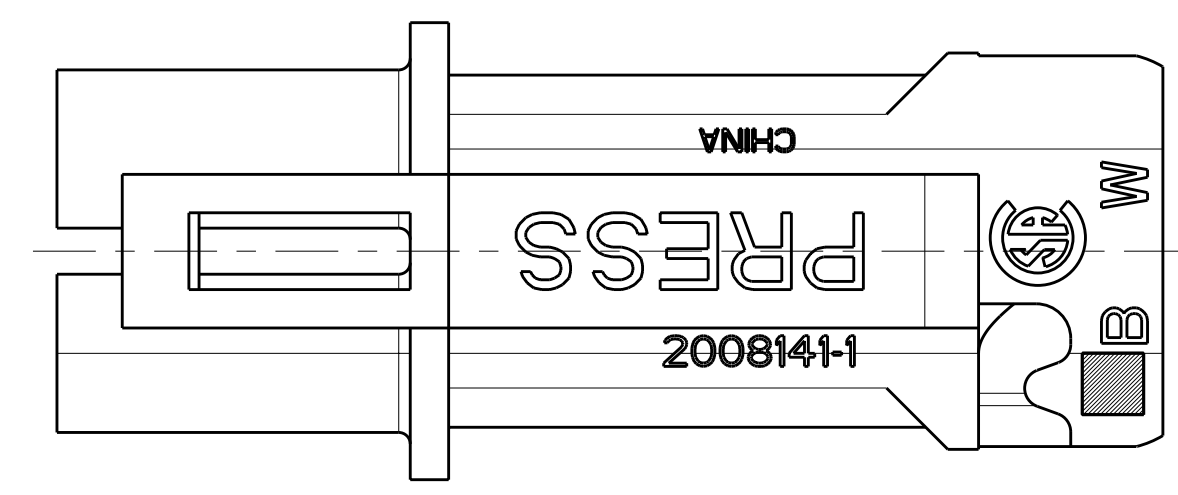
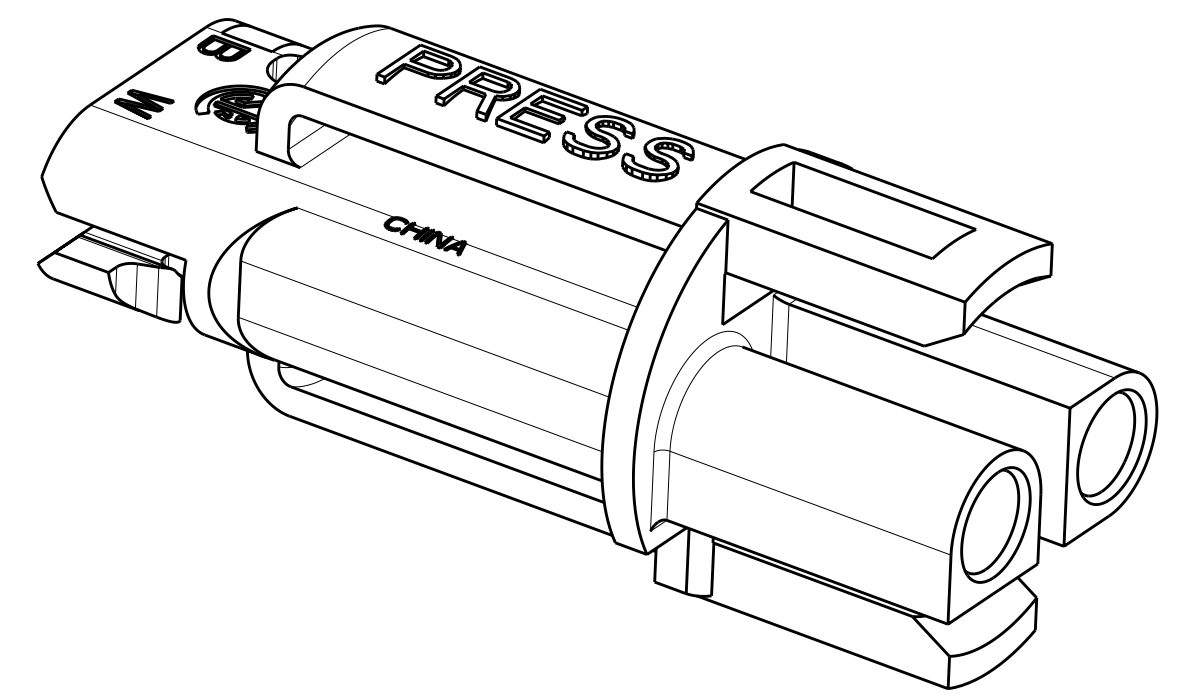
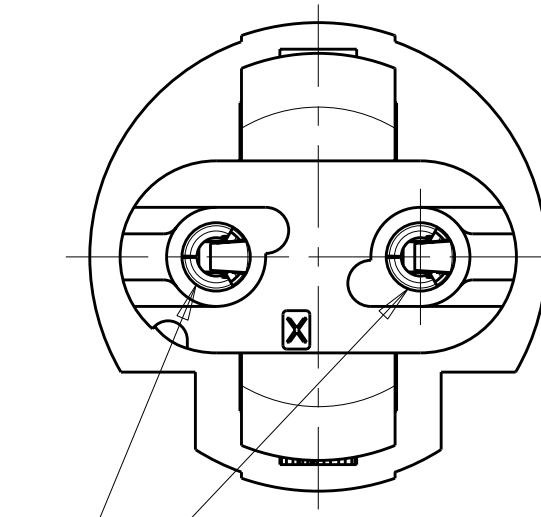
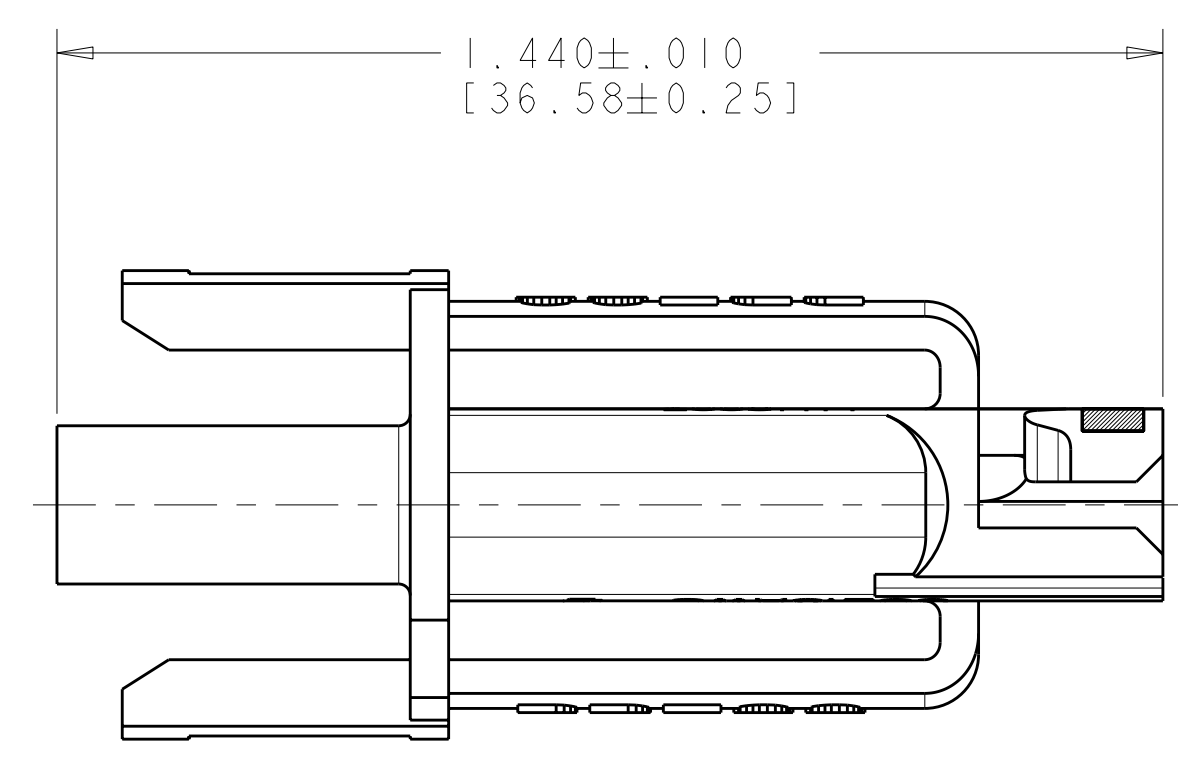
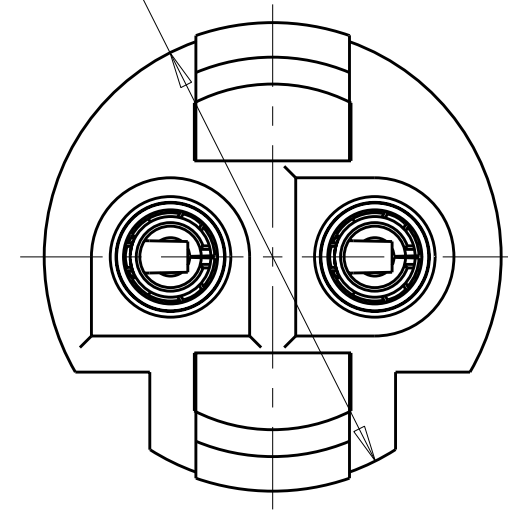


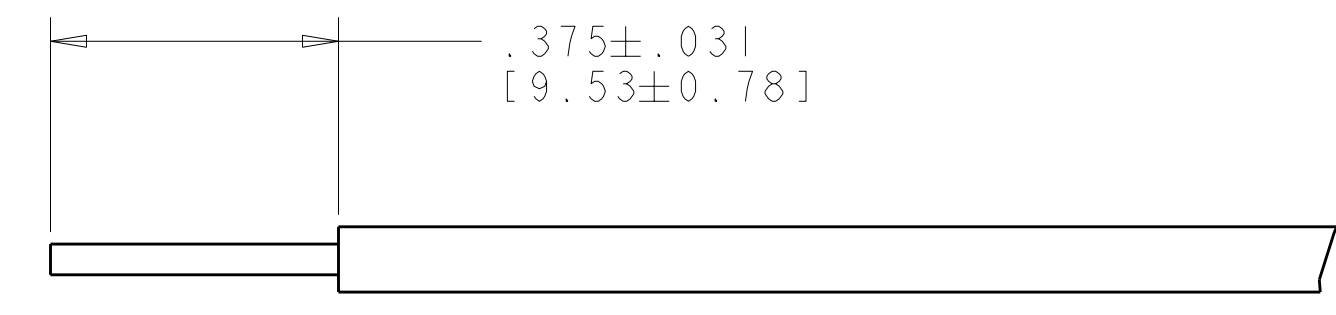
LOC	DIST	REV	DATE	BY	APPD
-	-	A2	05JAN2010	SS	DD



$\varnothing .595 \pm .010$   
 [15.11 ± 0.25]



ACCEPTS 18 AWG SOLID WIRE  
 WITH .086 [2.18] MAX INSULATION DIAMETER



RECOMMENDED WIRE STRIP LENGTH

- △ MATERIAL:  
 HOUSING: POLYAMIDE, COLOR: NATURAL  
 CONTACTS: PHOSPHOR BRONZE  
 INK: BLACK
- △ FINISH:  
 CONTACTS: TIN PLATED
- 3. SEE INSTRUCTION SHEET: 408-10153

UNMARKED	2008141-2
MARKED	2008141-1
REMARKS	PART NUMBER

<small>THIS DRAWING IS UNPUBLISHED. RELEASED FOR PUBLICATION BY TYCO ELECTRONICS CORPORATION. ALL RIGHTS RESERVED.</small>		DWN: C. DAILY 20APR2007 CHK: J. LANDIS APVD: -	Tyco Electronics Harrisburg, PA 17105-3608
DIMENSIONS: IN [mm]	TOLERANCES UNLESS OTHERWISE SPECIFIED: 0 PLC ± 1 PLC ± 2 PLC ± 3 PLC ± 4 PLC ± ANGLES ±	PRODUCT SPEC: 108-2275 APPLICATION SPEC: 114-13204 WEIGHT: -	NAME: ASSEMBLY, PLUG, 2 POSITION, PT LIGHT-N-LOK SIZE: A   00779   C=2008141 RESTRICTED TO: -
MATERIAL: △ FINISH: △		CUSTOMER DRAWING SCALE: 4:1 SHEET 1 OF 1 REV A2	