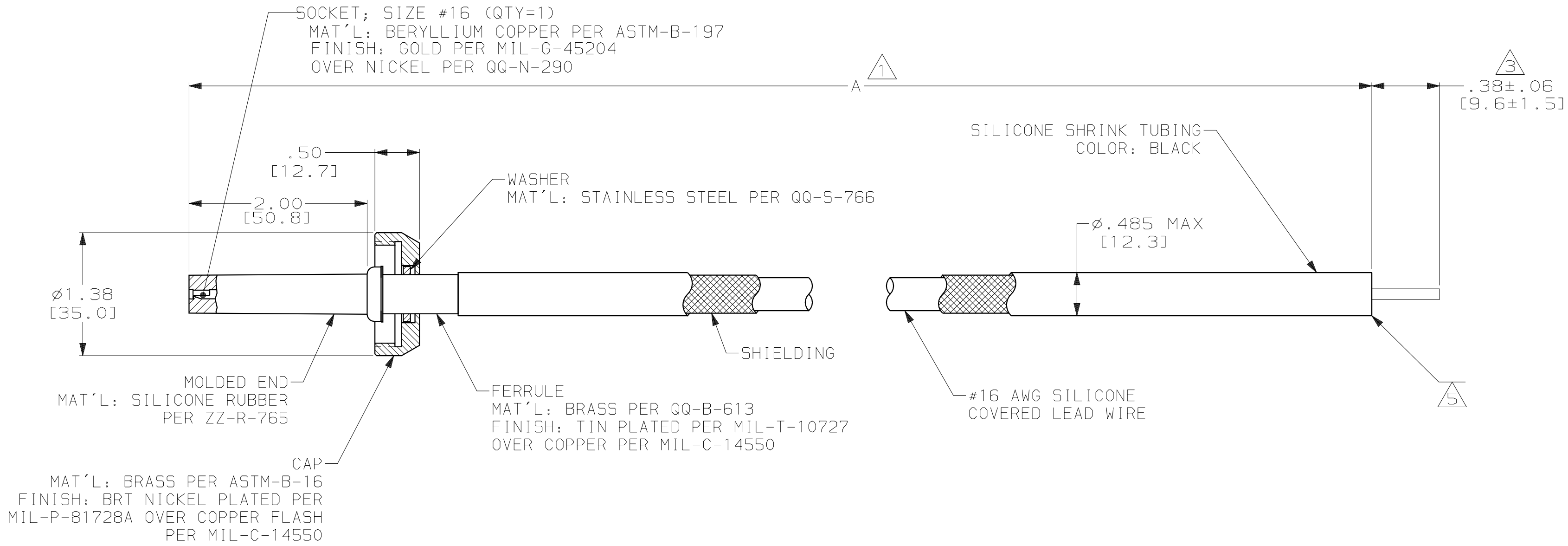


THIS DRAWING IS UNPUBLISHED. RELEASED FOR PUBLICATION, 19 .
 © COPYRIGHT 19 BY AMP INCORPORATED. ALL INTERNATIONAL RIGHTS RESERVED.

LOC	DIST	P	F	ZONE	LTR	DESCRIPTION	DATE	APPD
DF	50				H	REV PER OH14-0580-04	CT	10-7-04 DE

PART NO.	A	
863124-1	12.00 [304.8]	OBSOLETE
863124-2	24.00 [609.6]	
863124-3	36.00 [914.4]	OBSOLETE
863124-4	60.00 [1524.0]	OBSOLETE
863124-5	81.00 [2057.4]	OBSOLETE
863124-6	48.00 [1219.2]	
863124-7	144.00 [3657.6]	
863124-8	240.00 [6096.0]	



- 1. TOLERANCE OF LEAD LENGTH:
UP TO 24 INCHES [609.6] = ±.12 [±3.0]
24 INCHES [609.6] & UP = ±1%
- 2. MARKED PER MIL-STD-130.
- 3. PIGTAIL IS SOLDER DIPPED.
- 4. TO MATE WITH AMP LGH-4 RECEPTACLE WITH 2.00 [50.8] BARREL DEPTH.
- 5. CUSTOMER TO STRIP AND TERMINATE.

DO NOT SCALE PRINT. UNLESS SPECIFIED DIMENSIONS IN INCHES [mm] TOLERANCES ON : 2 PLC DEC ± .01 [0.3] 3 PLC DEC ± - ANGLES ± -	DR 10-7-93 C.C. THOMAS	AMP Incorporated Harrisburg, PA 17105-3608
	CHK 10-7-93 D.EABY	
MATERIAL SEE CALLOUTS	APPD 10-7-93 D.EABY	NAME
	APPD 10-7-93 C.C. THOMAS	LEAD ASSY, SGL. END, SHIELDED. VRL-4, LGH
FINISH SEE CALLOUTS	PRODUCT SPEC -	SIZE
	APPLICATION SPEC -	CAGE CODE 00779
WEIGHT -	SCALE 1:1	DRAWING NO C=863124
		SHEET 1 OF 1

THIS DRAWING IS A CONTROLLED DOCUMENT FOR AMP INCORPORATED. IT IS SUBJECT TO CHANGE AND THE CONTROLLING ENGINEERING ORGANIZATION SHOULD BE CONTACTED FOR THE LATEST REVISION.