

PRODUCT NUMBER  
89847-XXXXLF

ROHS COMPATIBLE, SEE NOTE 5

OPTIONAL LETTER:  
H: HIGH TEMP PRODUCT

NUMBER OF POSITIONS PER ROW: 02 TO 50.

PLATING CODE

3 = 0.76µm GOLD ON CONTACT AREA.

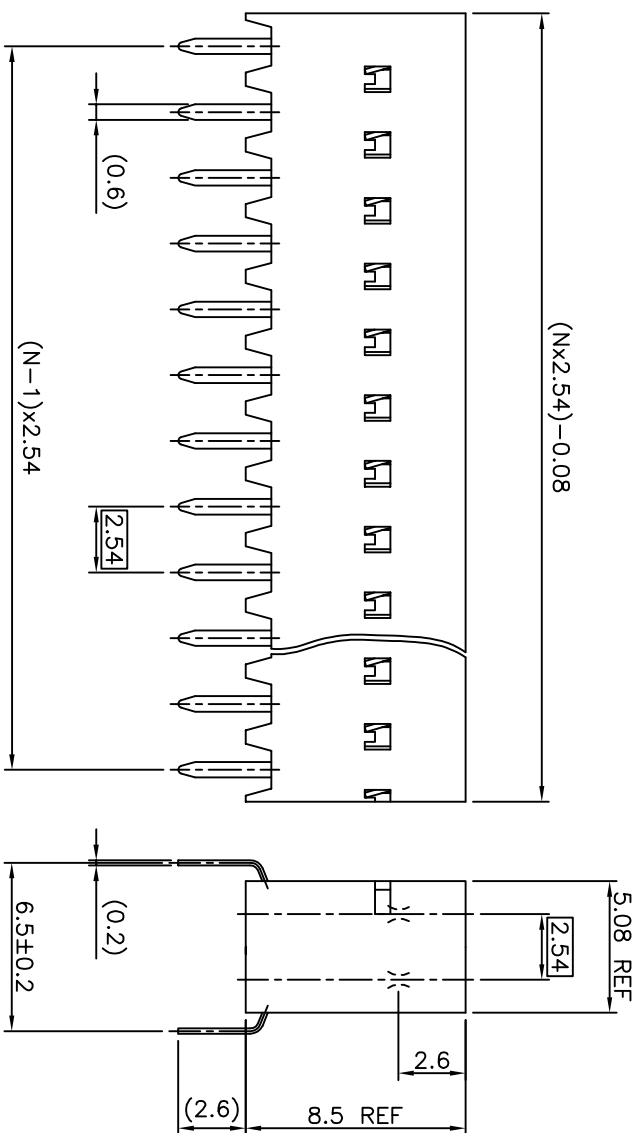
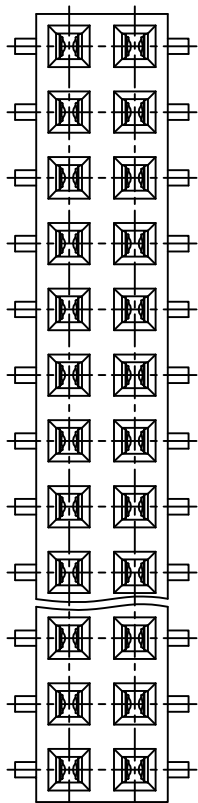
2µm MIN MATTE TIN ON TAIL.

4 = 2µm MIN MATTE TIN FULL PLATED.

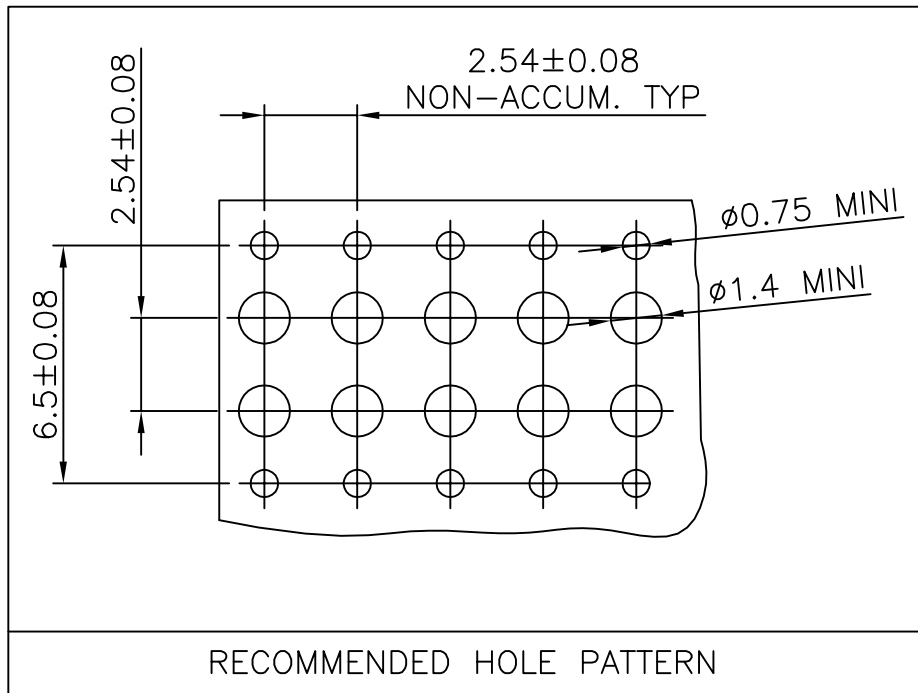
1.27µm Ni MIN UNDERPLATING

NOTES:

- 1 - HOUSING MAT'L: THERMOPLASTIC GLASS FILLED FLAME RETARDANT PER UL 94 V-0 COLOR: BLUE. LOW TEMPERATURE: COLOR BLUE HIGH TEMPERATURE : COLOR GREY
  - 2 - TERMINAL MATERIAL: PHOSPHOR BRONZE.
  - 3 - 2 UP TO 4 POSITIONS PRODUCT PACKED IN PLASTIC BOX. 5 UP TO 50 POSITIONS PRODUCT PACKED IN TUBE.
  - 4 - TO DETERMINE DIMENSIONS:  
N = NUMBER OF POSITIONS PER ROW  
EXAMPLE: 8 POS: (N×2.54)-0.08=20.24 mm.
  - 5 - ROHS COMPATIBLE PRODUCT SPECIFICATIONS
- d - PLATING:
- "LF" MEANS THE PRODUCT IS LEAD-FREE, 2µm MINIMUM MATTE TIN OVER 1.27µm MINIMUM NICKEL UNDERPLATE.
- b - MANUFACTURING PROCESS COMPATIBILITY
- THE BLUE HOUSING WILL WITHSTAND EXPOSURE TO 260°C ±5°C SOLDER BATH TEMPERATURE FOR 5 SECONDS IN A WAVE SOLDER APPLICATION WITH A 1.6mm MIN THICK CIRCUIT BOARD.
  - THE HIGH TEMP GREY HSG WILL WITHSTAND EXPOSURE TO 260°C PEAK TEMPERATURE FOR 30 SECONDS MAX IN CONVECTION INFRA-RED OR VAPOR PHASE OR REFLOW.
- c - LABELING:
- MEETS PACKAGING SPECS AS PER GS-14-920
- d - LEGAL STATEMENT: SEE GS-47-0004



mat'l. code	surface	tolerance	projection	product family
SEE NOTE 1	ISO 1302	ISO 406 ISO 1101	mm	DUBOX
ltr ecn no	dr date	tolerances unless otherwise specified	mm	title
K B-19123	LMU 14.10.21	ROG-0220	mm	BtB RECEPT.
E F10116	GOO 01.01.23	linear	mm	VERT DR TMT
F F04-0347	DLE 04.11.10	linear	mm	sheet 1 of 2
G F06-0204	DLE 06.06.21	linear	mm	size A3
H F08-0217	PNZ 08.09.09	linear	mm	type CUSTOMER
J F08-0220	PNZ 08.09.15	linear	mm	Drw'ing
sheet revision	K B			
index sheet	1 2			



FCIconnect.com

mat'l. code SEE NOTE 1			surface ISO 1302 <input checked="" type="checkbox"/>		tolerance ISO 406 ISO 1101		projection 		product family DUBOX			
ltr	ecn no	dr	date	tolerances unless otherwise specified			mm 		title BtB RECEPT. VERT DR TMT			
A	F04-0347	DLE	04.11.10	angles linear	±0.3			scale 5:1		dwg no 89847		
B	F06-0204	DLE	06.06.21		±2'							
				dr	D LEGRAND	04.11.10			sheet 2 of - size			
				enr	P NIZZI	04.11.10			A4			
				chr	D LEGRAND	04.11.10			89847			
				appd	P NZ	04.11.09			CUSTOMER Drawing			
sheet index	revision sheet											