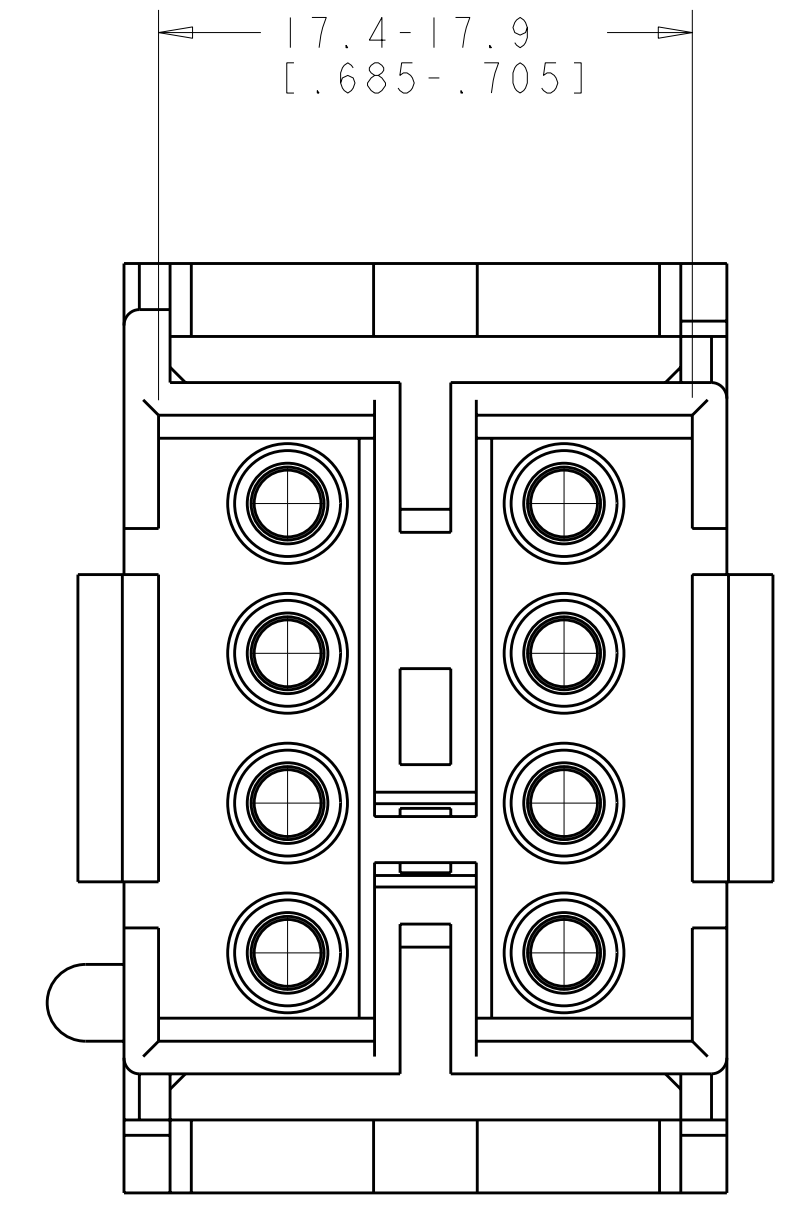
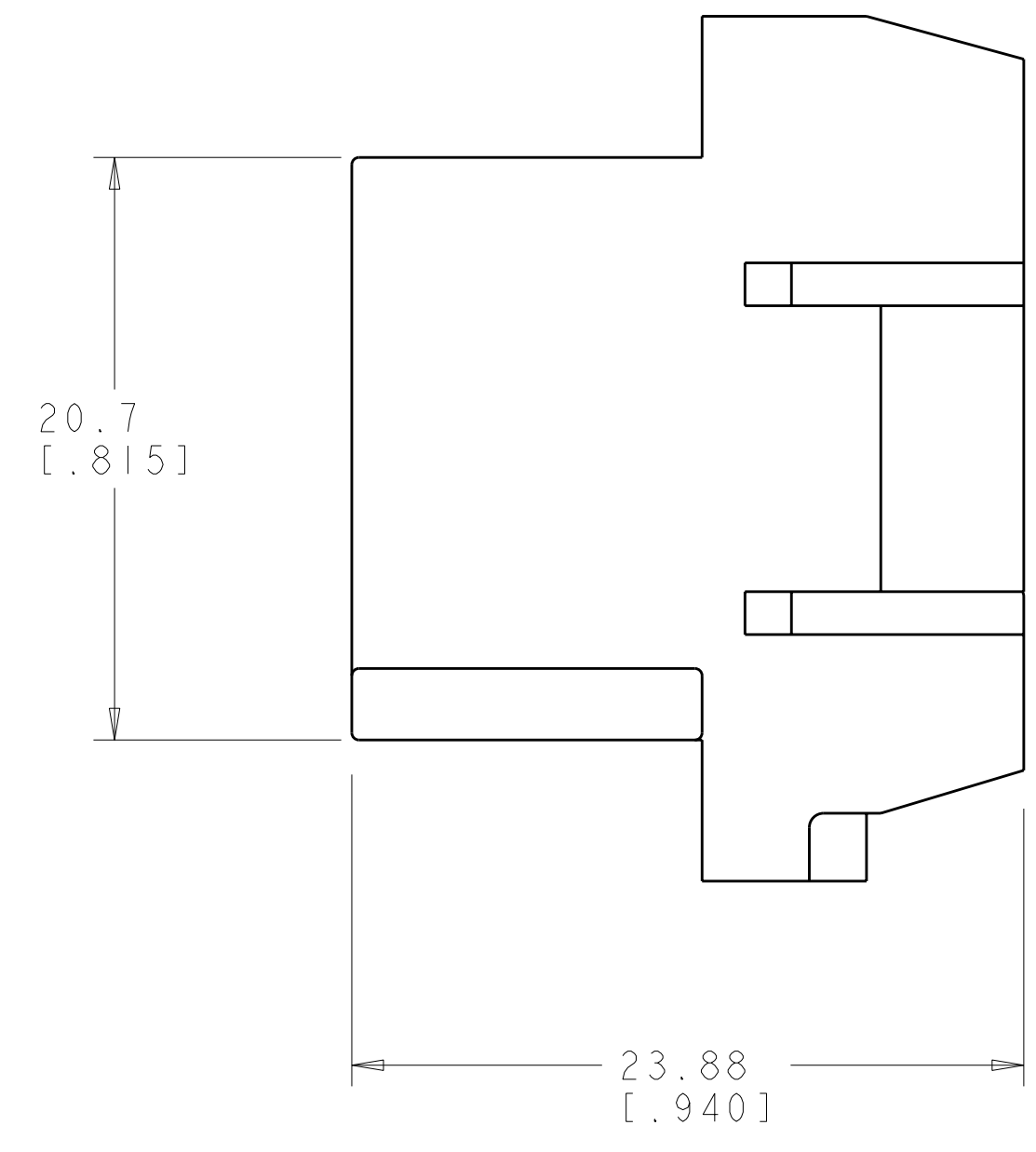
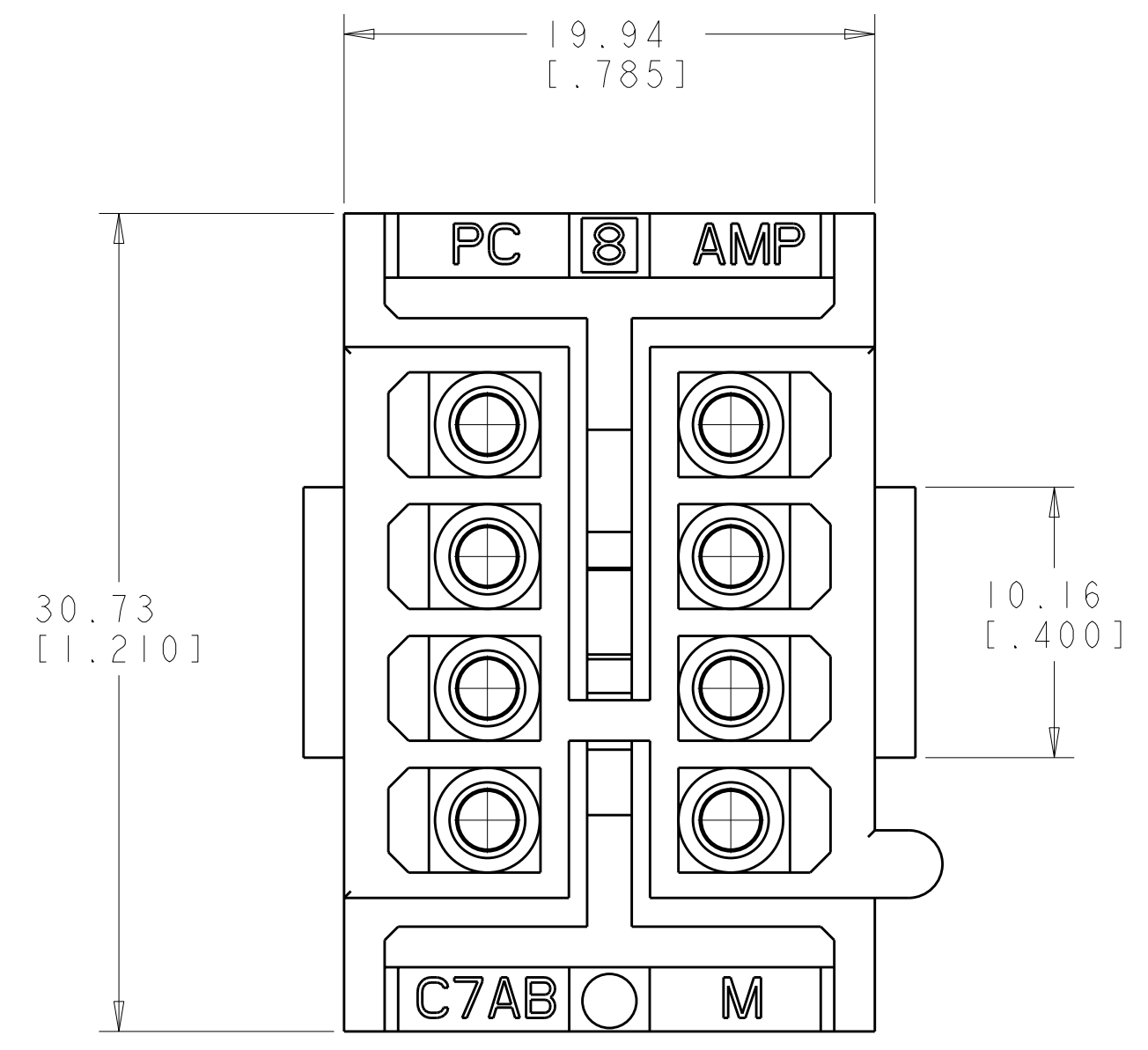
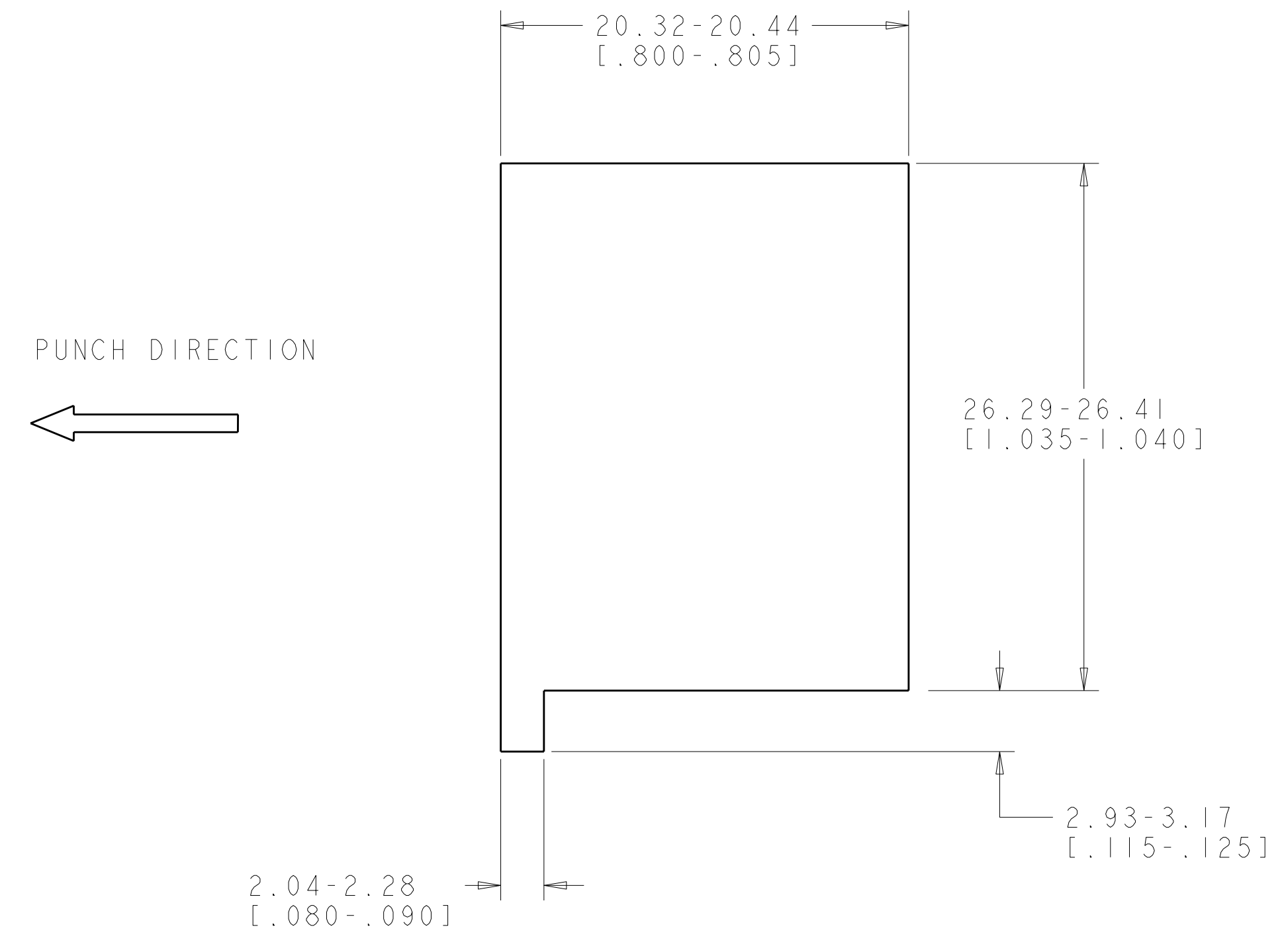
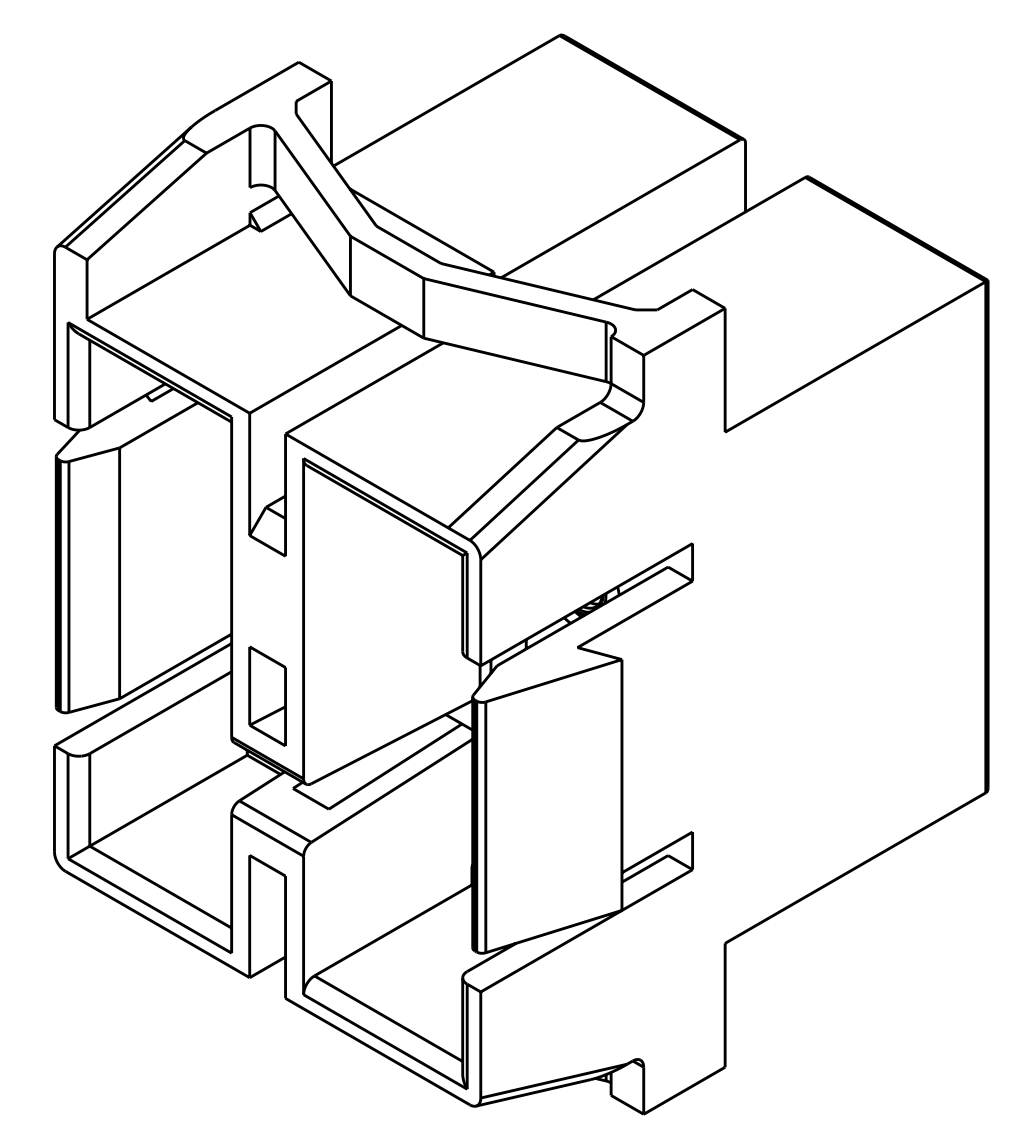
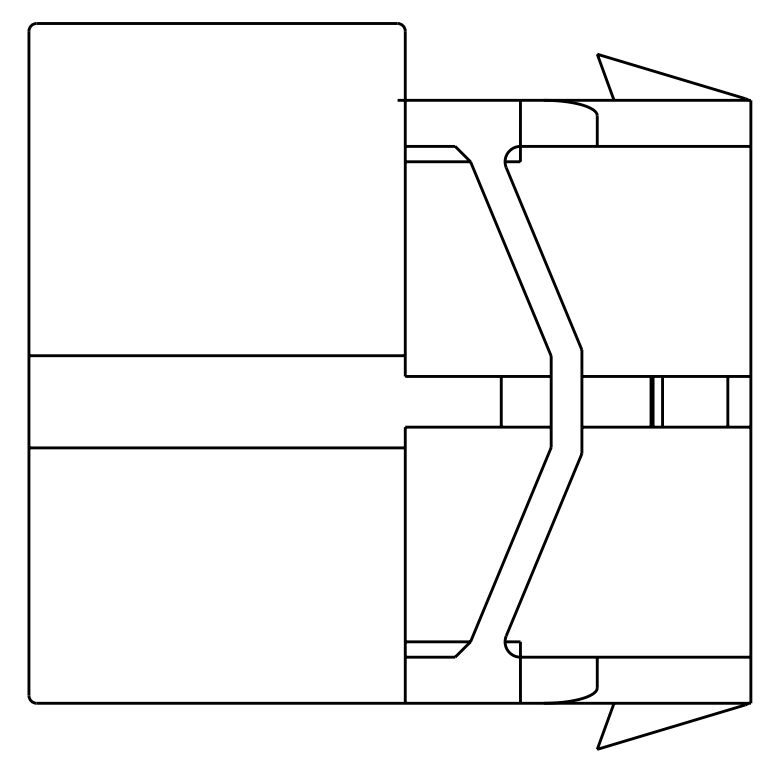


LOC	DIST	REVISIONS			
P	LTB	DESCRIPTION	DATE	DWN	APVD
K		REVISED PER ECO-07-012587	31MAY2007	KW	CC
K1		REVISED PER ECO-10-000445	15JAN10	KK	AEK



- USE TERMINALS 61208, 61209, 61212, 61213.
  - MATES WITH PLUG 480374.
  - PANEL MUST BE PINCHED SO THAT THE HOUSING ENTERS THE PANEL IN THE SAME DIRECTION AS THE PUNCH.
- ⚠ OBSOLETE PARTS: OBSOLETE CIS STREAMLINING PER D.RENAUD/D.SINISI



RECOMMENDED MOUNTING HOLE FOR PANEL THICKNESS 0.51-1.52 [0.020-.060]

OBSOLETE	0.293 IN <sup>3</sup>	NYLON, BLACK	1-480373-1
	0.293 IN <sup>3</sup>	NYLON, NATURAL	1-480373-0
	VOLUME	MATERIAL	PART NUMBER

<small>THIS DRAWING IS UNPUBLISHED. RELEASED FOR PUBLICATION BY TYCO ELECTRONICS CORPORATION. ALL RIGHTS RESERVED.</small> <small>THIS IS SUBJECT TO CHANGE WITHOUT NOTICE AND WITHOUT OBLIGATION. TYCO ELECTRONICS CORPORATION SHALL BE CONTACTED FOR THE LATEST REVISION.</small>		DWN K. WHITAKER 31MAY2007	Tyco Electronics Harrisburg, PA 17105-3608	
DIMENSIONS: mm [ INCHES ]		CHK C. CASH 31MAY2007	NAME	
TOLERANCES UNLESS OTHERWISE SPECIFIED: 0 PLC ± 1 PLC ±0.38 [0.015] 2 PLC ± 3 PLC ± 4 PLC ± ANGLES ±1°		APVD C. CASH 31MAY2007	PRODUCT SPEC	
MATERIAL SEE TABLE		FINISH	APPLICATION SPEC	
		WEIGHT	CUSTOMER DRAWING	
		SCALE	RESTRICTED TO	
		SIZE	CAGE CODE	
		DRAWING NO.	DRAWING NO.	
		REV	REV	

