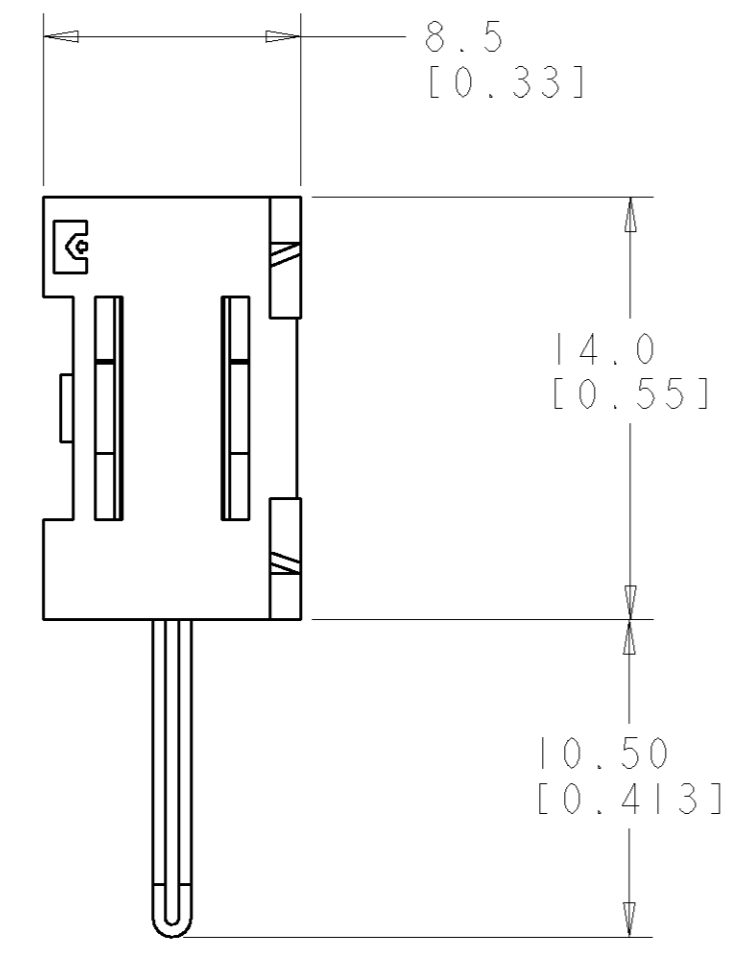
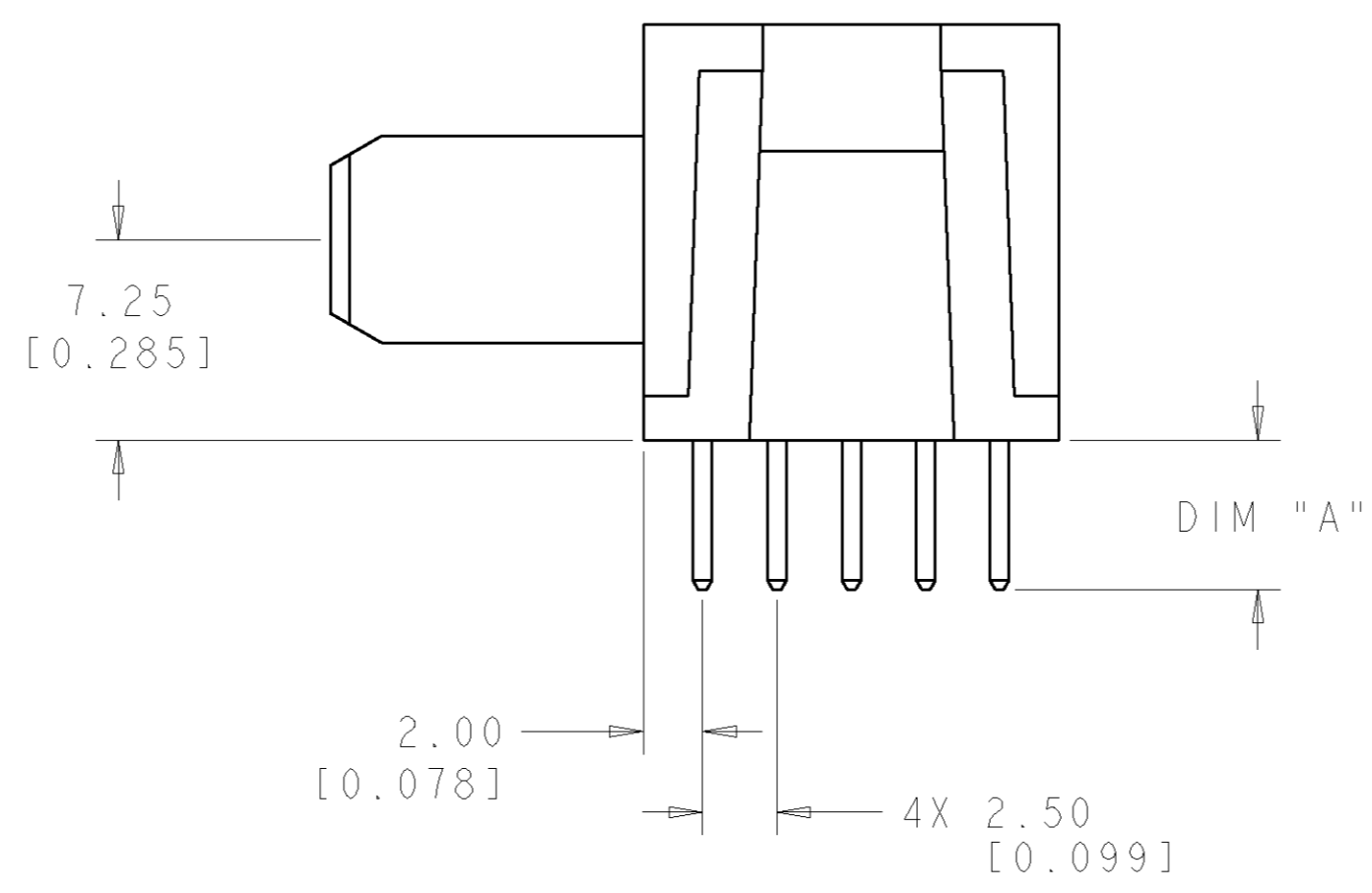
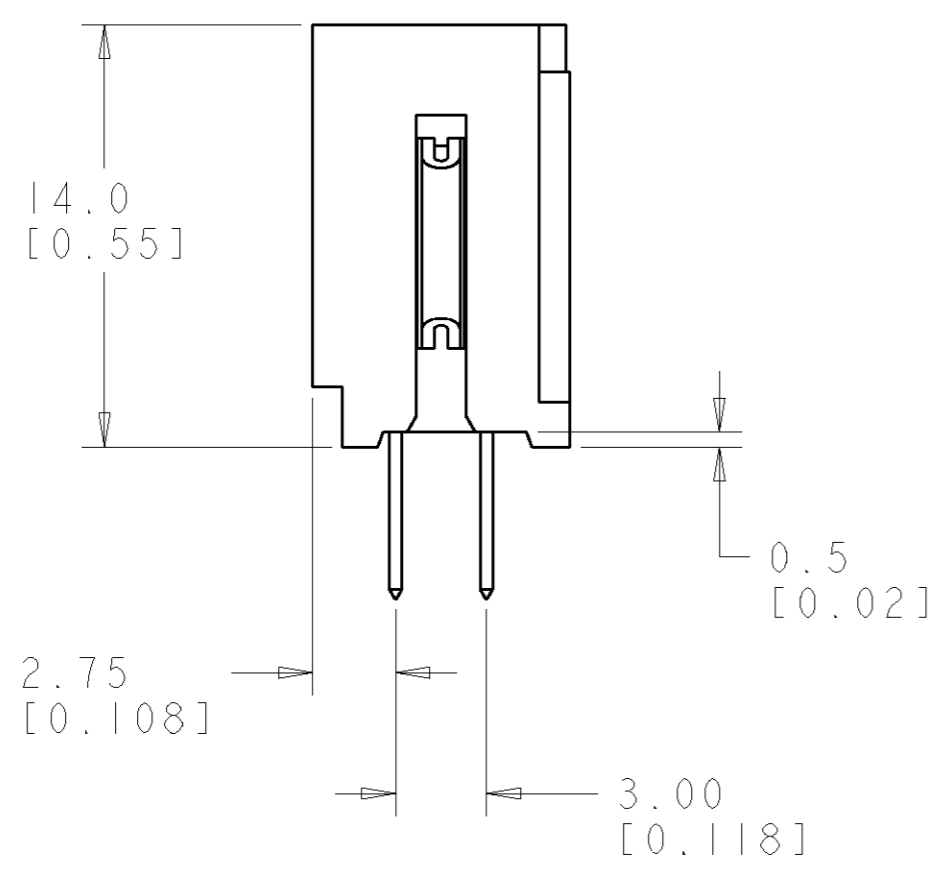


THIS DRAWING IS UNPUBLISHED. RELEASED FOR PUBLICATION 20
 © COPYRIGHT 20 BY TYCO ELECTRONICS CORPORATION. ALL RIGHTS RESERVED.

LOC	DIST	REVISIONS					
GP	00	P	LTR	DESCRIPTION	DATE	DWN	APVD
			A	RELEASED	09JAN2007	RG	PD



- PART NUMBER CHANGES AND OR DESIGN CHANGES AFFECTING ITEM INTERCHANGEABILITY REQUIRE PRIOR TYCO APPROVAL AND AUTHORIZATION BY REVISION TO THIS DRAWING.
- MATERIAL:
 INSULATORS - THERMOPLASTIC, GLASS REINFORCED, COLOR: BLACK
 UL94V-0 FLAMMABILITY RATED.
 POWER CONTACTS - COPPER ALLOY.
- FINISH:
 CONTACTS - GOLD PLATE 0.76 MICROMETERS MIN. THK., OVER NICKEL
 1.27 MICROMETERS MIN. THK
 SOLDER TAILS, TIN 3.05 MICROMETERS MIN. THK. OVER NICKEL
 1.27 MICROMETERS MIN. THK
- ITEMS PROVIDED TO THIS SPECIFICATION TO BE PERMANENTLY IDENTIFIED ON THE CONTAINER PER THE FOLLOWING IDENTIFIER LABEL



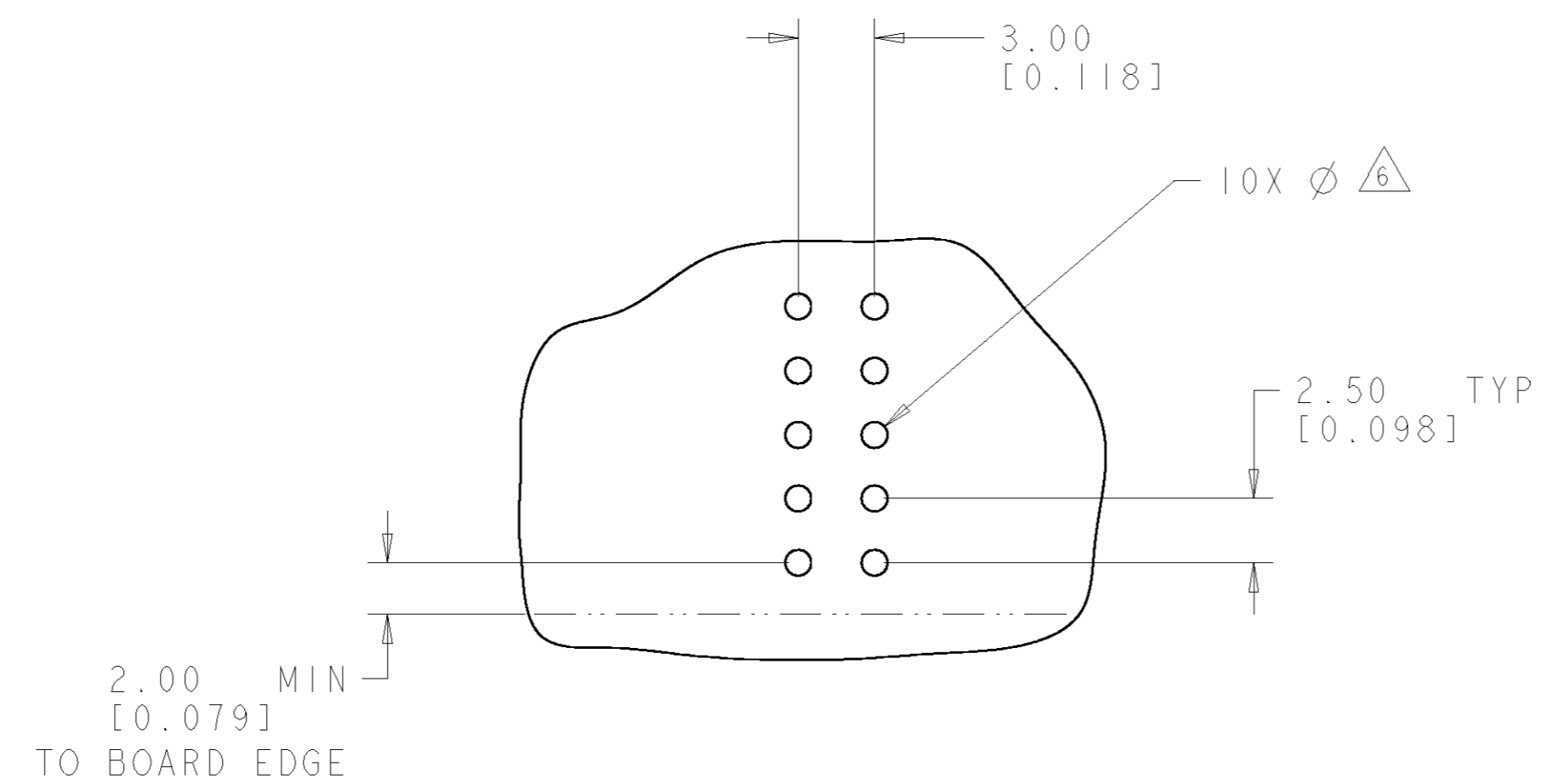
3.56-2.54 [.140-.100]	1926312-2
5.08-4.06 [.200-.160]	1926312-1
DIM "A"	PART NUMBER

DIMENSIONS:		TOLERANCES UNLESS OTHERWISE SPECIFIED:		APPROVALS		TYCO ELECTRONICS	
mm		0 PLC	±	DWN	09JAN2007	Tyco Electronics	
		1 PLC	±.3	CHK	09JAN2007	Harrisburg, PA 17105-3608	
		2 PLC	±.15	APVD	09JAN2007	NAME	
		3 PLC	±			PIN CONNECTOR, RIGHT ANGLE	
		4 PLC	±			SOLDER, FP151	
		ANGLES	±.5			FLATPAQ	
		FINISH				SIZE	RESTRICTED TO
MATERIAL						A200779	-
						C-1926312	
						SCALE	SHEET
						4.1	1 OF 3
							REV
							A

ELCON FLATPAQ

THIS DRAWING IS UNPUBLISHED. RELEASED FOR PUBLICATION 20
 © COPYRIGHT 20 BY TYCO ELECTRONICS CORPORATION. ALL RIGHTS RESERVED.

LOC	DIST	REVISIONS					
		P	LTR	DESCRIPTION	DATE	DWN	APVD
GP	00	-		SEE SHEET 1	-	-	-



PRINTED CIRCUIT BOARD LAYOUT
 COMPONENT SIDE

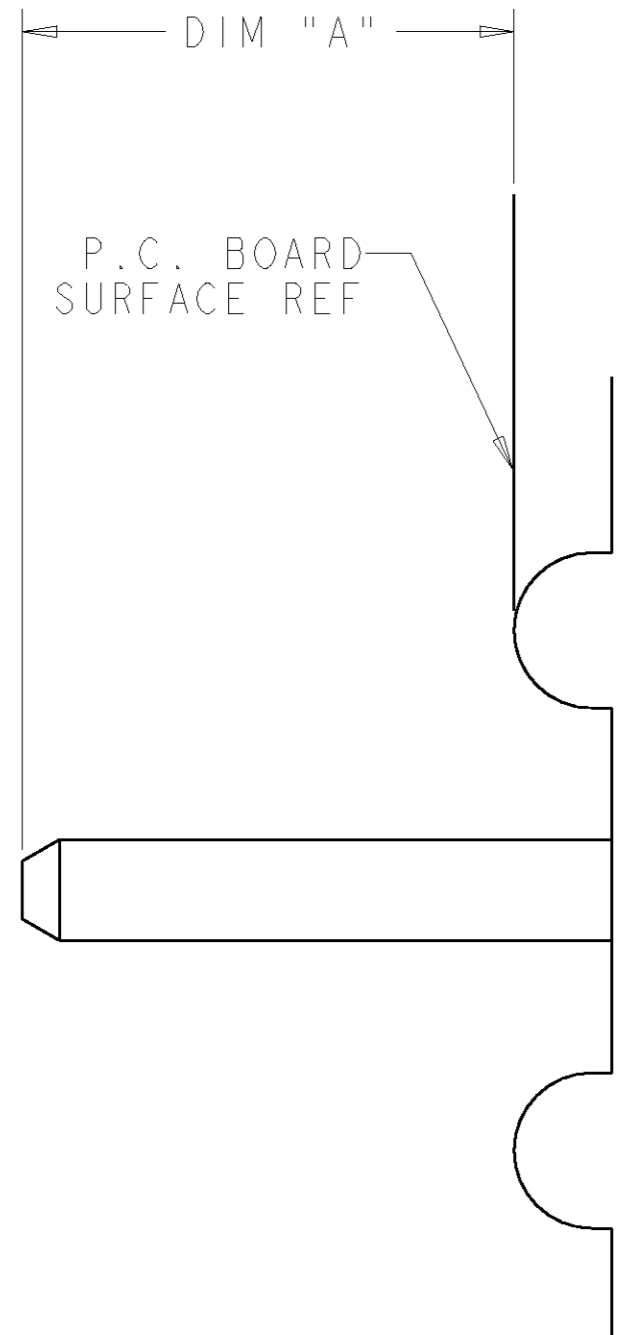
CONNECTOR	CATALOG MODULE #	QTY	SIZE NO.	CONTACT QTY	MATING PIN	MAX. CURRENT (PER CONTACT)	CONTACT SPACING	VOLTAGE RATING
PIN	FPI51	1	8	1	1.25 X 7.00 [.049 X .276]	35 amps	7.50 [.2953]	250

<small>THIS DRAWING IS A CONTROLLED DOCUMENT FOR TYCO ELECTRONICS CORPORATION. IT IS SUBJECT TO CHANGE AND THE CONTROLLING ENGINEERING ORGANIZATION SHOULD BE CONTACTED FOR THE LATEST REVISION.</small>		DWN R. GRZYBOWSKI CHK P. DAMATO APVD S. FLICKINGER	09 JAN 2007 09 JAN 2007 09 JAN 2007	tyco Electronics Tyco Electronics Harrisburg, PA 17105-3608
DIMENSIONS: mm 	TOLERANCES UNLESS OTHERWISE SPECIFIED: 0 PLC ±.3 1 PLC ±.3 2 PLC ±.15 3 PLC ±.15 4 PLC ±.15 ANGLES ±.5 FINISH	NAME PIN CONNECTOR, RIGHT ANGLE SOLDER, FPI51 FLATPAQ	SIZE A200779	DRAWING NO G-1926312
MATERIAL		PRODUCT SPEC		RESTRICTED TO
		APPLICATION SPEC		
		WEIGHT		
		CUSTOMER DRAWING	SCALE 4:1	SHEET 2 OF 3 REV A

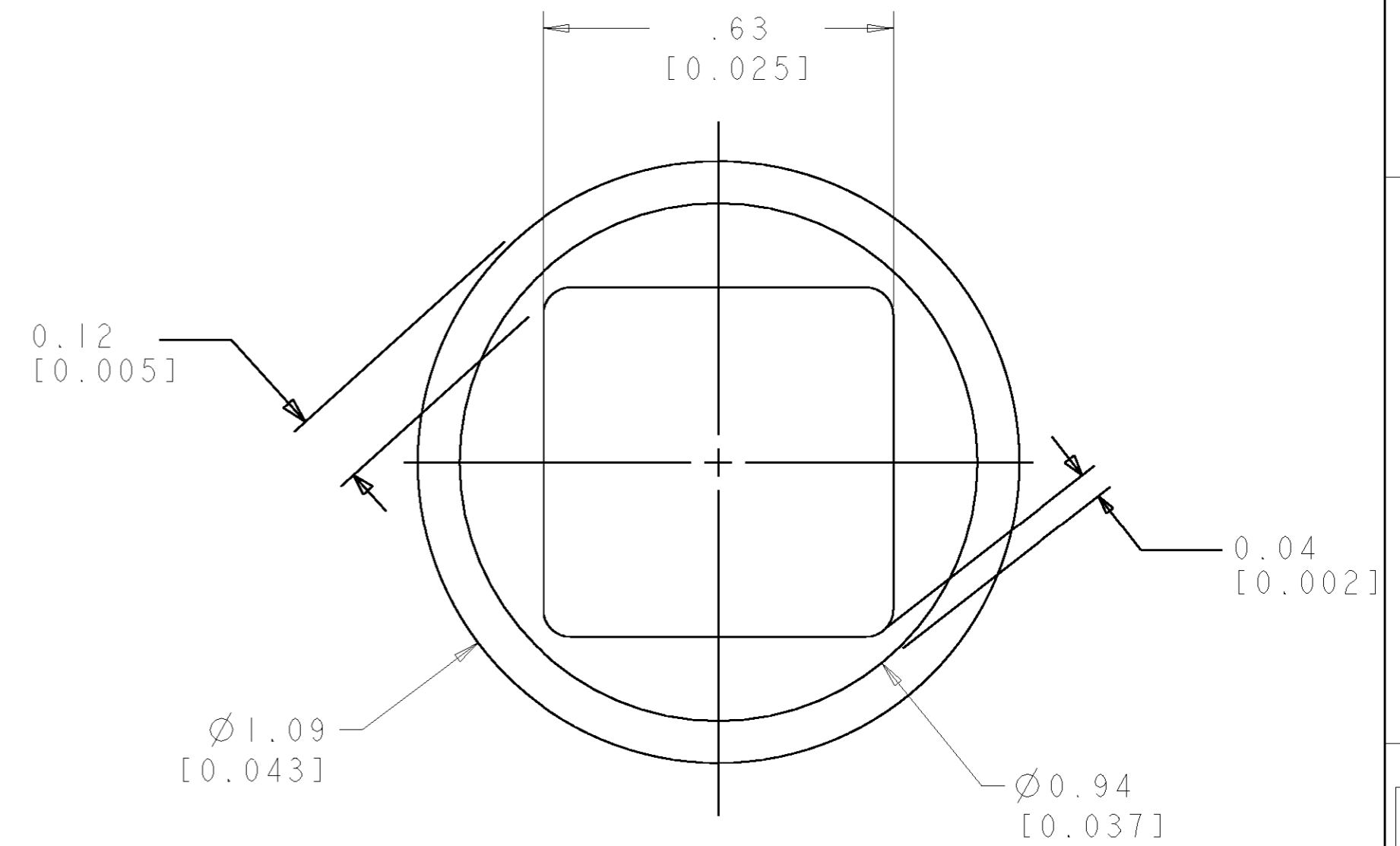
ELCON FLATPAQ

THIS DRAWING IS UNPUBLISHED. RELEASED FOR PUBLICATION 20
 © COPYRIGHT 20 BY TYCO ELECTRONICS CORPORATION. ALL RIGHTS RESERVED.

LOC	DIST	REVISIONS			
P	LTR	DESCRIPTION	DATE	DWN	APVD
GP	00	-	SEE SHEET 1	-	-



5. SOLDER PIN DETAIL
SCALE 10:1



6. SOLDER TERMINATION AREA
SCALE 40:1
 RECOMMENDED PRINTED CIRCUIT SOLDER HOLE
 FINISHED HOLE: $\varnothing 1.02 [0.040] \pm .08 [0.003]$
 DRILLED HOLE: $\varnothing 1.15 [0.0453] \pm .013 [0.0005]$
 COPPER PLATE: .025 [0.0010] MIN
 TIN PLATE: .008 [0.0003] MIN. (PER SURFACE)

ELCON FLATPAQ

<small>THIS DRAWING IS A CONTROLLED DOCUMENT FOR TYCO ELECTRONICS CORPORATION IT IS SUBJECT TO CHANGE AND THE CONTROLLING ENGINEERING ORGANIZATION SHOULD BE CONTACTED FOR THE LATEST REVISION.</small>		DWN R. GRZYBOWSKI 09 JAN 2007 CHK P. DAMATO 09 JAN 2007 APVD S. FLICKINGER 09 JAN 2007	tyco Tyco Electronics Electronics Harrisburg, PA 17105-3608
DIMENSIONS: mm 	TOLERANCES UNLESS OTHERWISE SPECIFIED: 0 PLC $\pm .3$ 1 PLC $\pm .3$ 2 PLC $\pm .15$ 3 PLC $\pm .15$ 4 PLC $\pm .15$ ANGLES ± 5 FINISH	NAME PIN CONNECTOR, RIGHT ANGLE SOLDER, FP151 FLATPAQ SIZE A2 CAGE CODE 00779 DRAWING NO. C-1926312 RESTRICTED TO -	SCALE 4:1 SHEET 3 OF 3 REV A
MATERIAL		PRODUCT SPEC -	WEIGHT -
		APPLICATION SPEC -	CUSTOMER DRAWING