

**Material:**  
 Housing and insert material: High Temperature BK UL94V-0  
 Shield material: Brass C2680 H. Plating Nickel  
 Contact material: Phosphor Bronze t=0.35mm  
 Plating contact: gold plating over nickel

**Technical data:**  
 In accordance with IEEE 802.3u & TIA 1096A  
 For 1000 base transmission over UTP-5 cable  
 Storage: -40°C to 85°C  
 Operation: -25°C to 70°C  
 Operating lifetime: 750 cycles min

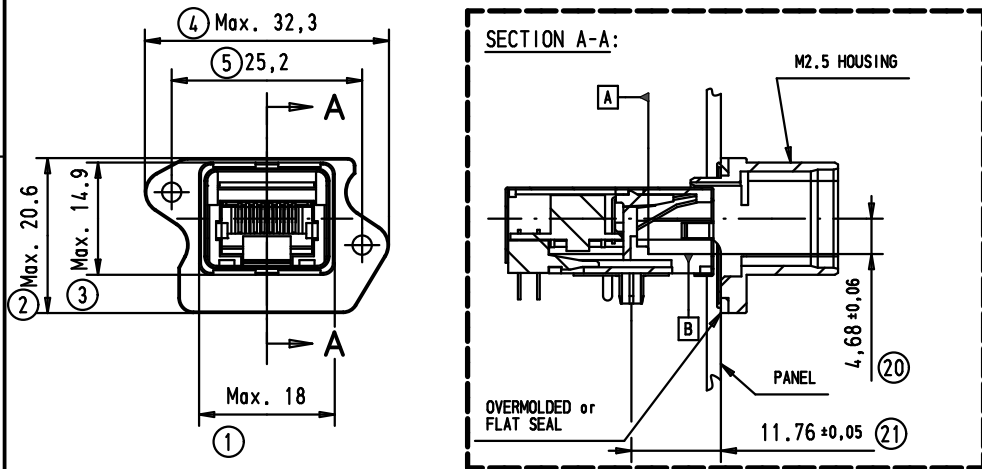
**Packaging:**  
 56 pieces per tray and 13 trays per carton

All Dimensions in mm Original Size DIN A 4			Techn. Character.			Nicht tolerierte Maßel/Free size tolerances			
			Dat.	Name	Maßstab/Scale  2:1	HARTING RJ Industrial® RJ45 jack with transformer for 1 Gbit			
			Detail.	24/06/11					AB
			Insp.	24/06/11					JMV
36317	16/01/12	AB	Stand.			TB 09 45 551 1530 Sub.			
EC04225	03/01/12	AB	HARTING EURL F-95972 Paris						
EC03526	11/07/11	AB							
Mod.	Dat.	Name				Blatt/ page 1/4			

MOUNTING INSTRUCTIONS FOR HARTING PUSHPULL  
COMPACT RECEPTACLE HOUSING

PN: 09 45 545 0023

PN: 09 45 545 0033

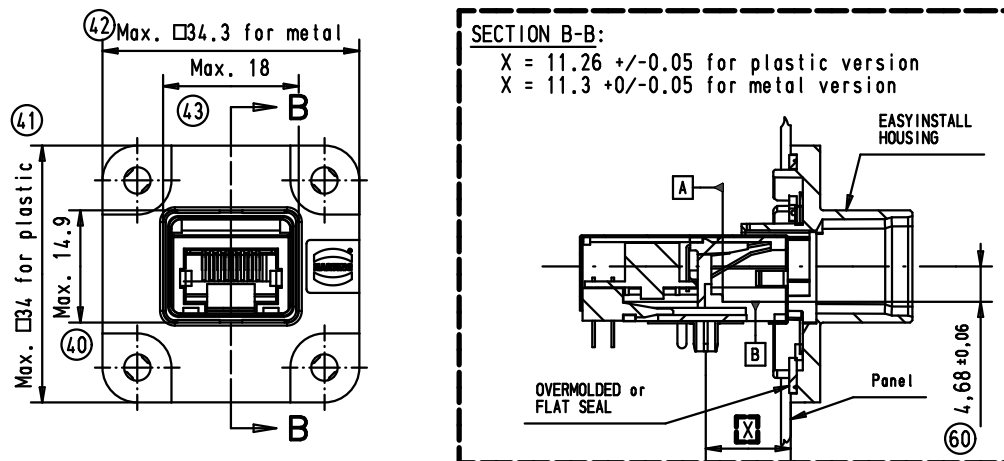


Receptacle mating side according to IEC 61076-3-106 variant 4

MOUNTING INSTRUCTIONS FOR HARTING PUSHPULL  
EASYINSTALL RECEPTACLE HOUSINGS

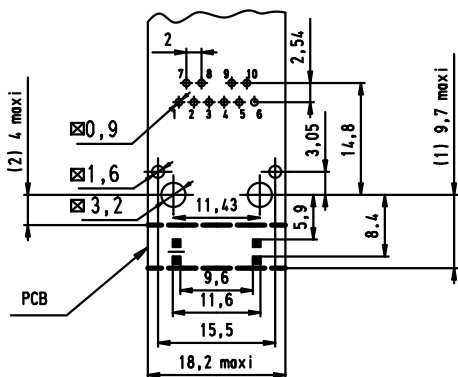
PN: 09 45 545 0030

PN: 09 45 595 0030



Receptacle mating side according to IEC 61076-3-106 variant 4

PCB LAYOUT



PCB thickness: 1.6mm +/-0.1

(1) maxi PCB front side position if SMD LED used  
if LED used, maxi panel thickness for Pushpull compact receptacle housing, is 1.5mm

(2) maxi PCB front side position if SMD led NOT used

All Dimensions in mm Original Size DIN A 4		Techn. Character.			Nicht tolerierte Maßel/Free size tolerances		
		Dat.	Name	Maßstab/Scale 1:1	HARTING RJ Industrial® RJ45 jack with transformer for 1 Gbit		
		Detail.	24/06/11				AB
		Insp.	24/06/11				JMV
36317	16/01/12	AB	Stand.				
EC04225	03/01/12	AB	HARTING EURL F-95972 Paris			TB 09 45 551 1530	
EC03526	11/07/11	AB					
Mod.	Dat.	Name				Sub.	

5

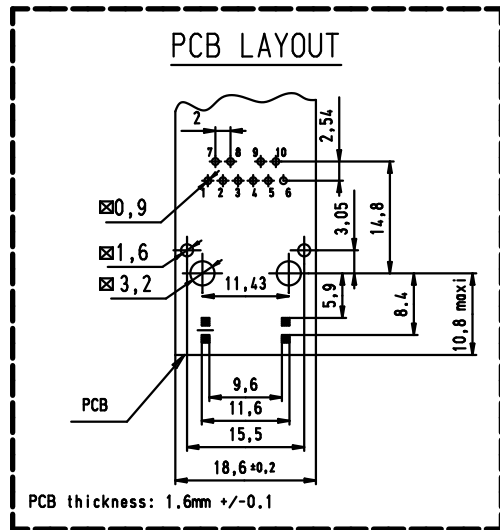
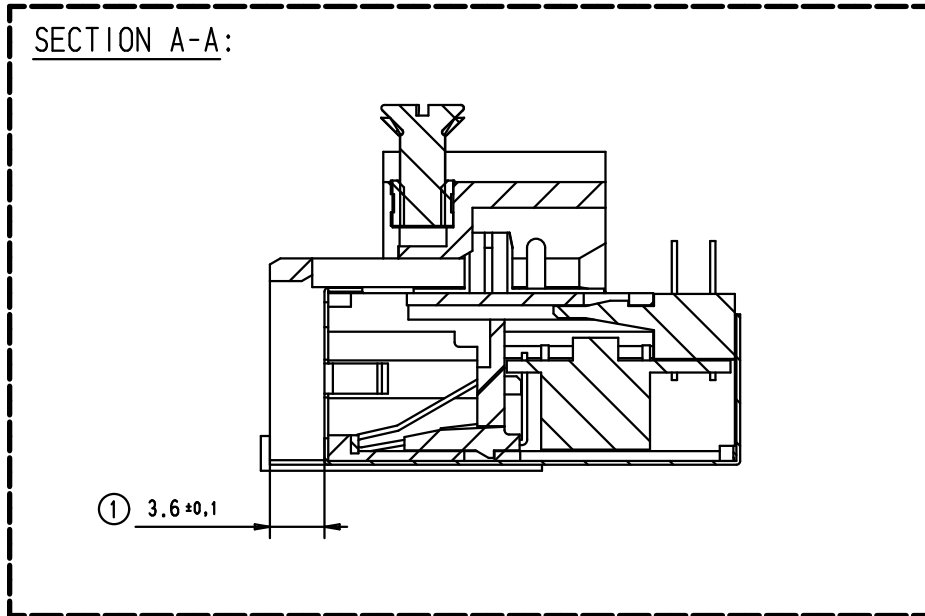
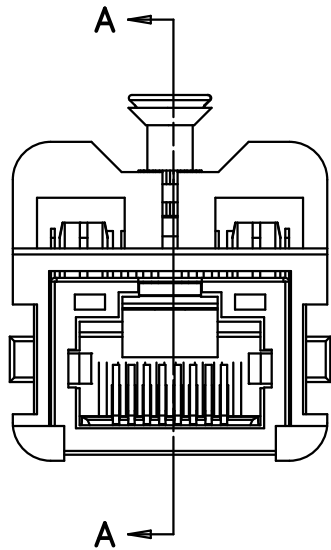
4

3

2

1

# MOUNTING INSTRUCTION FOR HAN 3A RJ45 HOUSING WITH HAN 3A ADAPTER WITHOUT FIXING CLIPS 09 45 515 0022



Receptacle mating side according to  
IEC 61076-3-106 variant 5

All Dimensions in mm Original Size DIN A 4		Techn. Character.			Nicht tolerierte Maße/Free size tolerances	
			Dat.	Name	2:1	HARTING RJ Industrial® RJ45 jack with transformer for 1 Gbit
		Detail.	24/06/11	AB		
		Insp.	24/06/11	JMV		
		Stand.				
36317	16/01/12	AB	HARTING EURL			TB 09 45 551 1530
EC04225	03/01/12	AB	F-95972 Paris			
EC03526	11/07/11	AB				Blatt/ page 3/4
Mod.	Dat.	Name	Sub.			

5

4

3

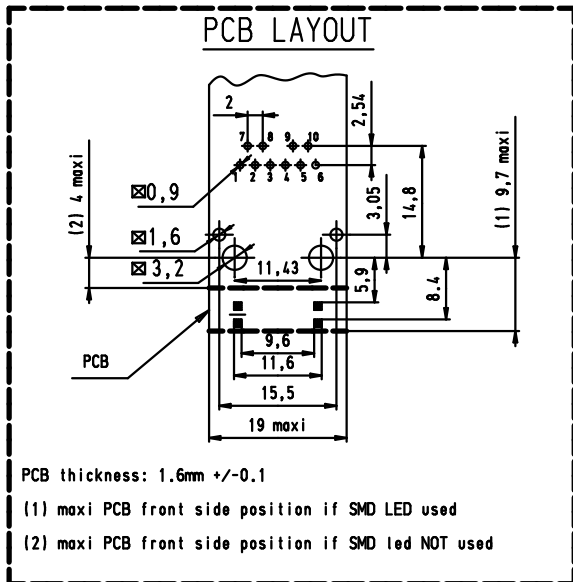
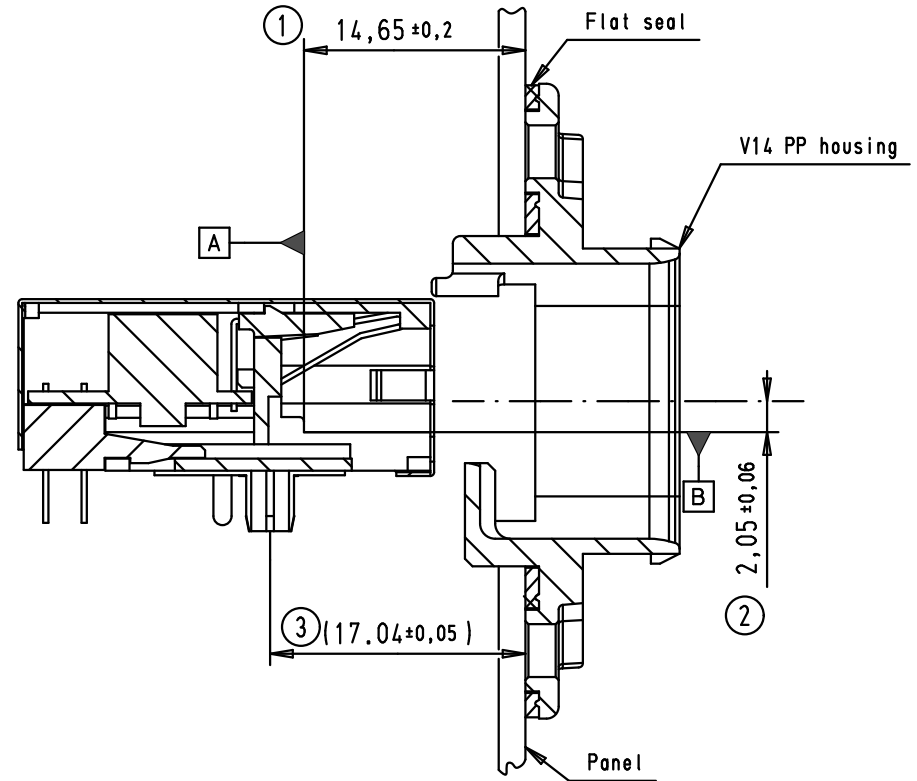
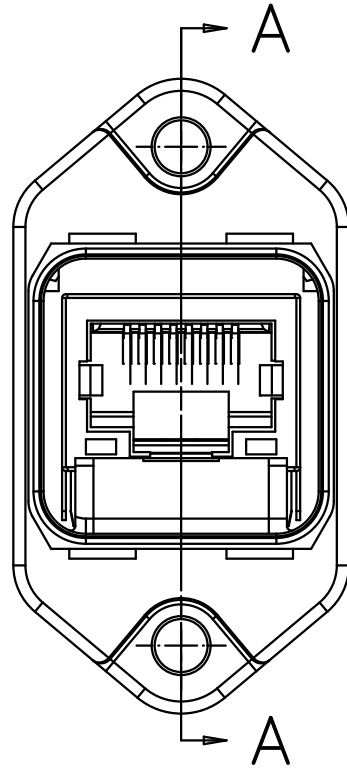
2

1

# MOUNTING INSTRUCTION FOR HAN PUSH/PULL RJ45 HOUSING

## 09 35 002 0301

Receptacle mating side according to  
DIN EN 61076-3-117



All Dimensions in mm Original Size DIN A 4			Techn. Character.		Nicht tolerierte Maßel/Free size tolerances		
			Dat.	Name	2:1	HARTING RJ Industrial® RJ45 jack with transformer for 1 Gbit	
			Detail.	24/06/11			AB
			Insp.	24/06/11			JMV
			Stand.				
36317	16/01/12	AB				TB 09 45 551 1530 Sub.	
EC04225	03/01/12	AB	HARTING EURL				
EC03526	11/07/11	AB	F-95972 Paris				
Mod.	Dat.	Name				Blatt/ page 4 / 4	