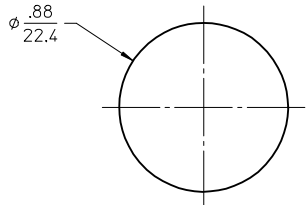
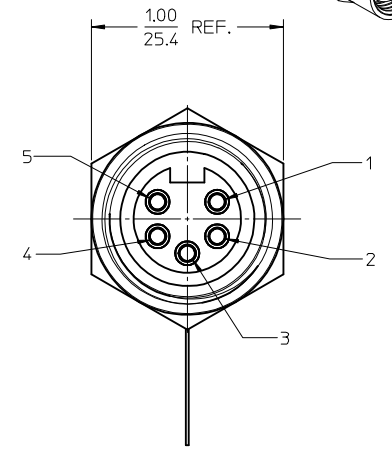
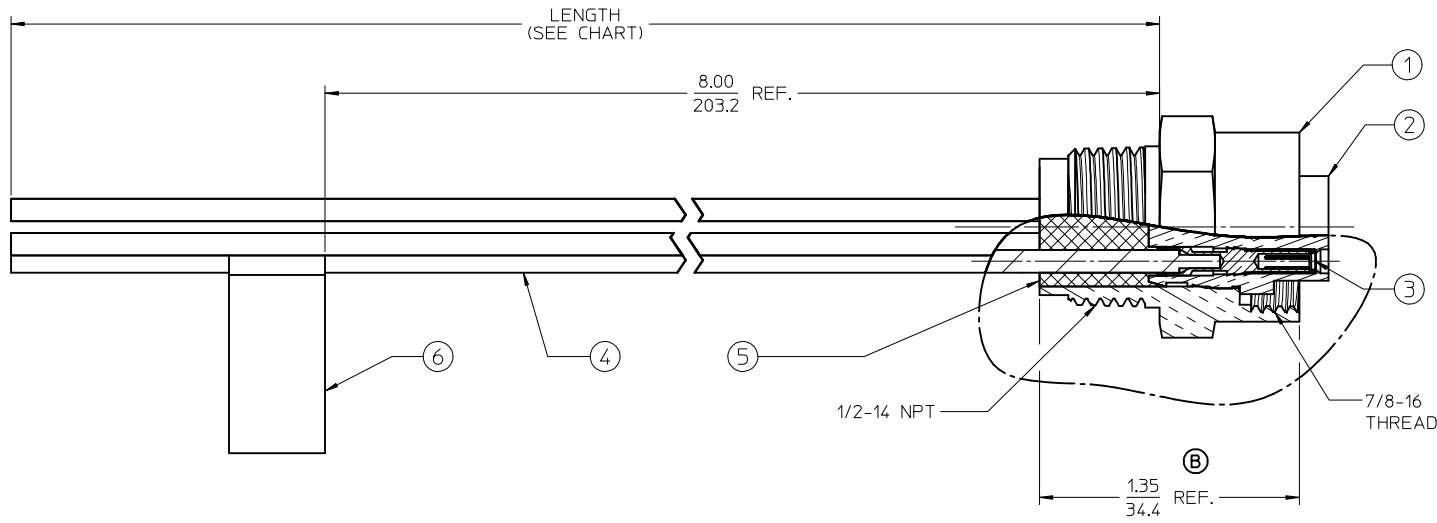
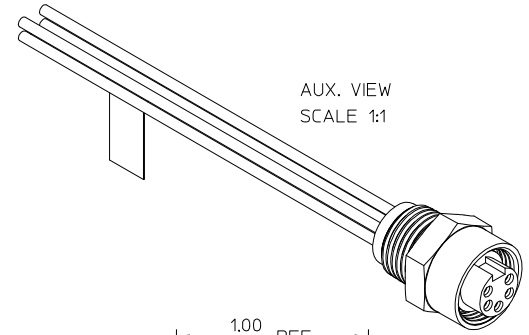


| MATERIAL NO. | ENGINEERING NO. | LENGTH |
|--------------|-----------------|-----------------------------------|
| 1300130417 | 1R5000A20A120 | 12.0" +.75 -0 (0.3M + 19.1mm -0) |
| 1300130421 | 1R5000A20F030 | 3' 0" +1.75 -0 (0.9M + 44.5mm -0) |
| 1300130423 | 1R5000A20F060 | 6' 0" +2.19 -0 (1.8M + 55.6mm -0) |
| 1300130426 | 1R5000A20M020 | 6' 7" +3.50 -0 (2.0M + 88.9mm -0) |



KNOCKOUT HOLE

| | |
|--------------|---|
| WHITE | 1 |
| RED | 2 |
| GREEN/YELLOW | 3 |
| ORANGE | 4 |
| BLACK | 5 |

WIRE DIAGRAM

- NOTES:
 1. MATERIAL: SEE TABLE
 2. FINISHES: SEE TABLE
 3. MATES WITH: 5C MINI CHANGE CABLE
 4. ELECTRICAL SPECIFICATIONS:
 VOLTAGE RATING: 600V AC/DC
 CURRENT RATING: 8.0 AMPS
 5. ASSEMBLY IS RoHS COMPLIANT

| ITEM | QTY. | DESCRIPTION | MATERIAL | FINISH |
|------|------|-------------------------------|-------------------|-------------------|
| 6 | 1 | LABEL | VINYL (B) | BLACK/YELLOW |
| 5 | 1 | POTTING MATERIAL | EPOXY | |
| 4 | 5 | WIRE, 16 AWG | PVC INSULATION | SEE WIRE DIAGRAM |
| 3 | 5 | CONTACT SOCKET & SLEEVE ASSY. | Cu ALLOY/ST.STEEL | GOLD PLATED |
| 2 | 1 | INSERT | PVC | YELLOW |
| 1 | 1 | RECEPTACLE SHELL | DIE-CAST ZINC (B) | NICKEL PLATED (B) |

| | |
|-------------------------|-------------|
| ADD P/NS, REV'D PER BOM | DESCRIPTION |
| EC NO: IPGZ2013-1710 | 2013/05/06 |
| DRWR:RSTONE | 2013/05/08 |
| CHKD:K JOZWIK | 2013/05/08 |
| APPR:RWOODMAN | 2013/05/15 |

| QUALITY SYMBOLS | GENERAL TOLERANCES (UNLESS SPECIFIED) | |
|-----------------|--|-------|
| | mm | INCH |
| $\nabla=0$ | 4 PLACES ± --- | ± --- |
| $\nabla=0$ | 3 PLACES ± --- | ± --- |
| | 2 PLACES ± --- | ± .01 |
| | 1 PLACE ± 0.3 | ± --- |
| | ANGULAR ± 1/2° | |
| | DRAFT WHERE APPLICABLE MUST REMAIN WITHIN DIMENSIONS | |

| DIMENSION STYLE | |
|-----------------|------------|
| IN/MM | |
| DRAWN BY | DATE |
| R.STONE | 2009/08/25 |
| CHECKED BY | DATE |
| B.WOODMAN | 2009/08/27 |
| APPROVED BY | DATE |
| JFMURPHY | 2009/08/26 |
| MATERIAL NO. | SEE CHART |
| SIZE | C |

| | | |
|---|--------------|------------------------|
| SCALE | DESIGN UNITS | THIRD ANGLE PROJECTION |
| 2:1 | INCH | |
| TITLE | | |
| MINI-CHANGE, RECEPTACLE 5P, FEMALE, 16 AWG | | |
| MOLEX INCORPORATED | | |
| DOCUMENT NO. | SHEET NO. | |
| SD-130013-087 | 1 OF 1 | |
| THIS DRAWING CONTAINS INFORMATION THAT IS PROPRIETARY TO MOLEX INCORPORATED AND SHOULD NOT BE USED WITHOUT WRITTEN PERMISSION | | |