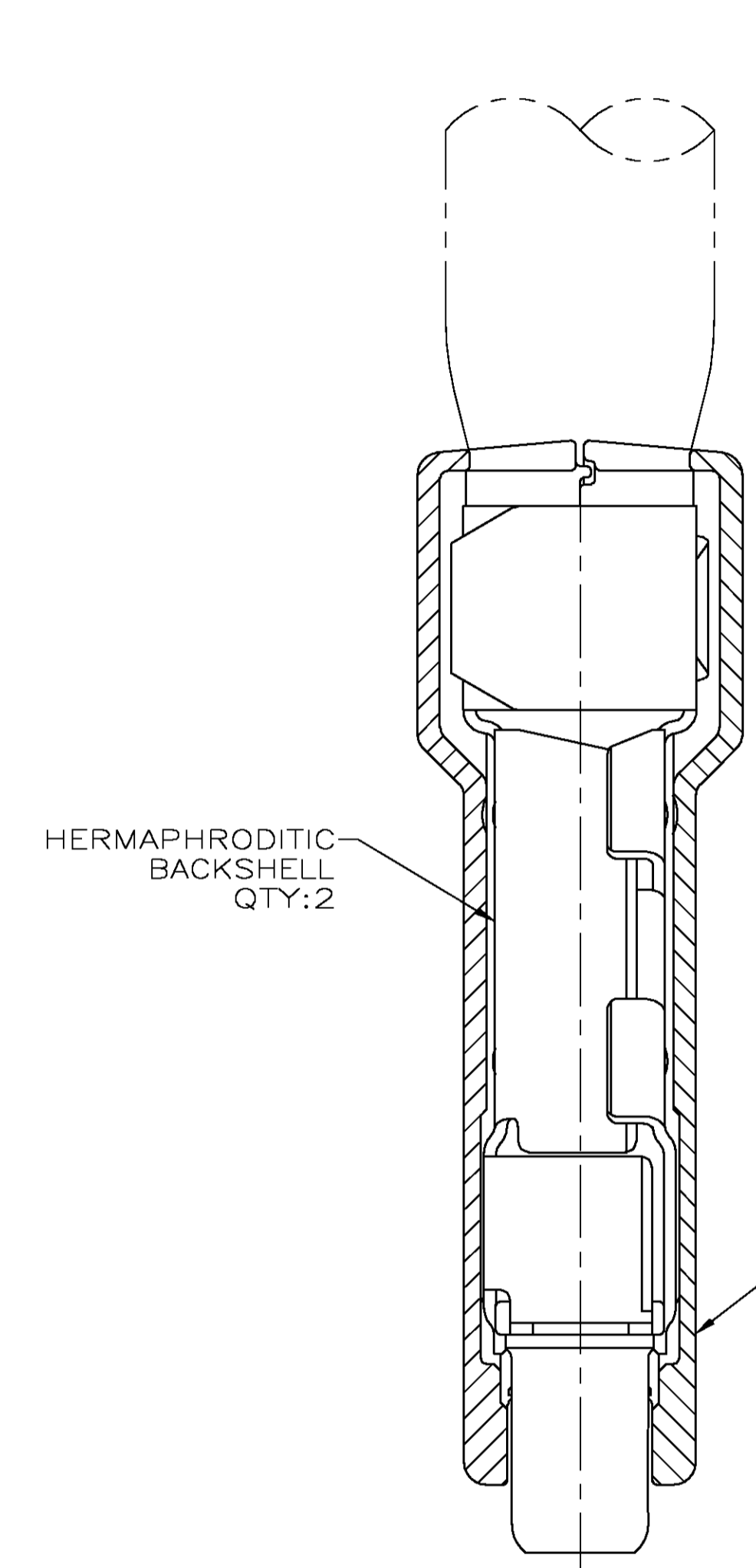
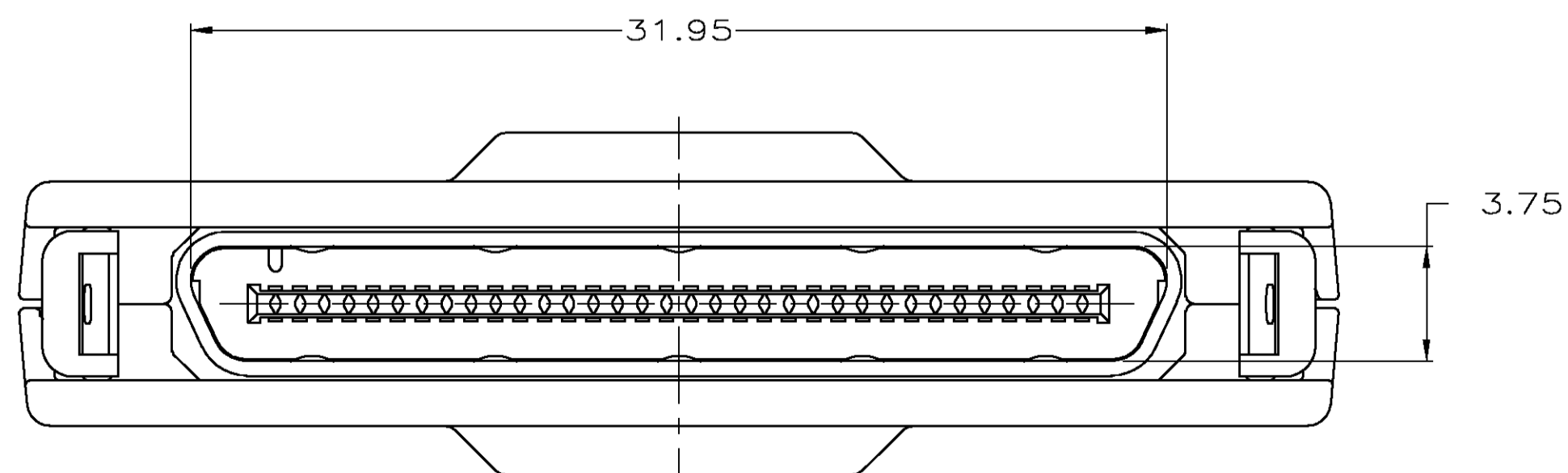
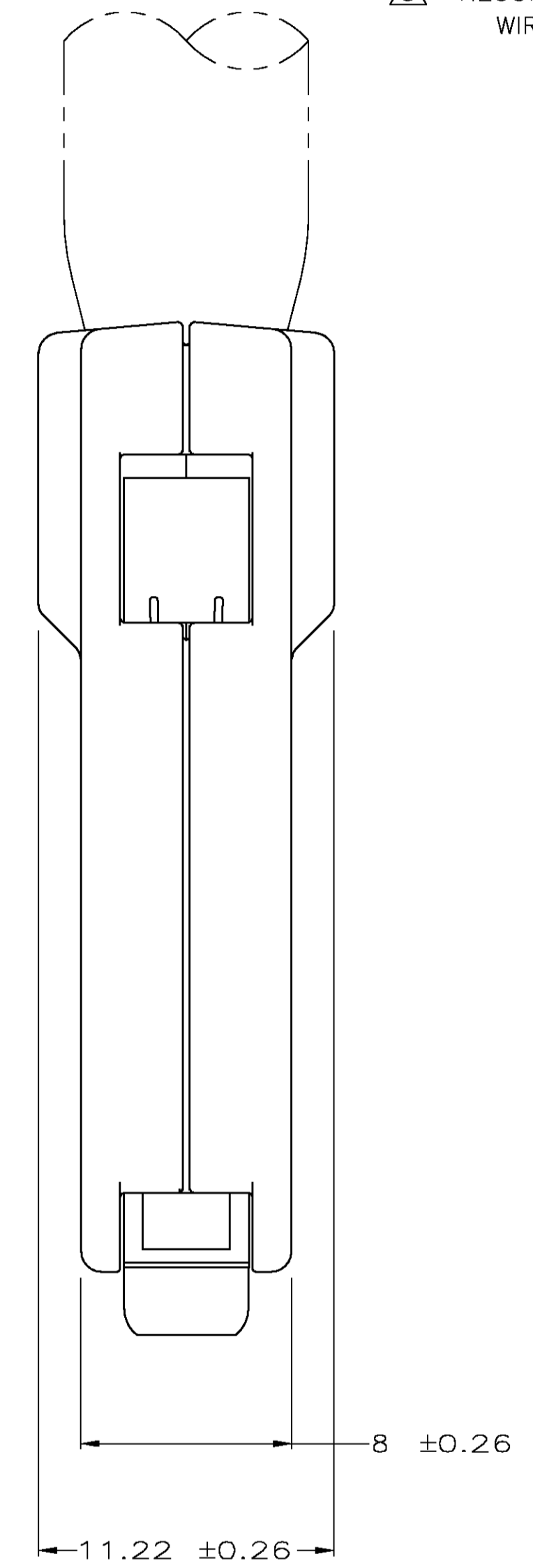
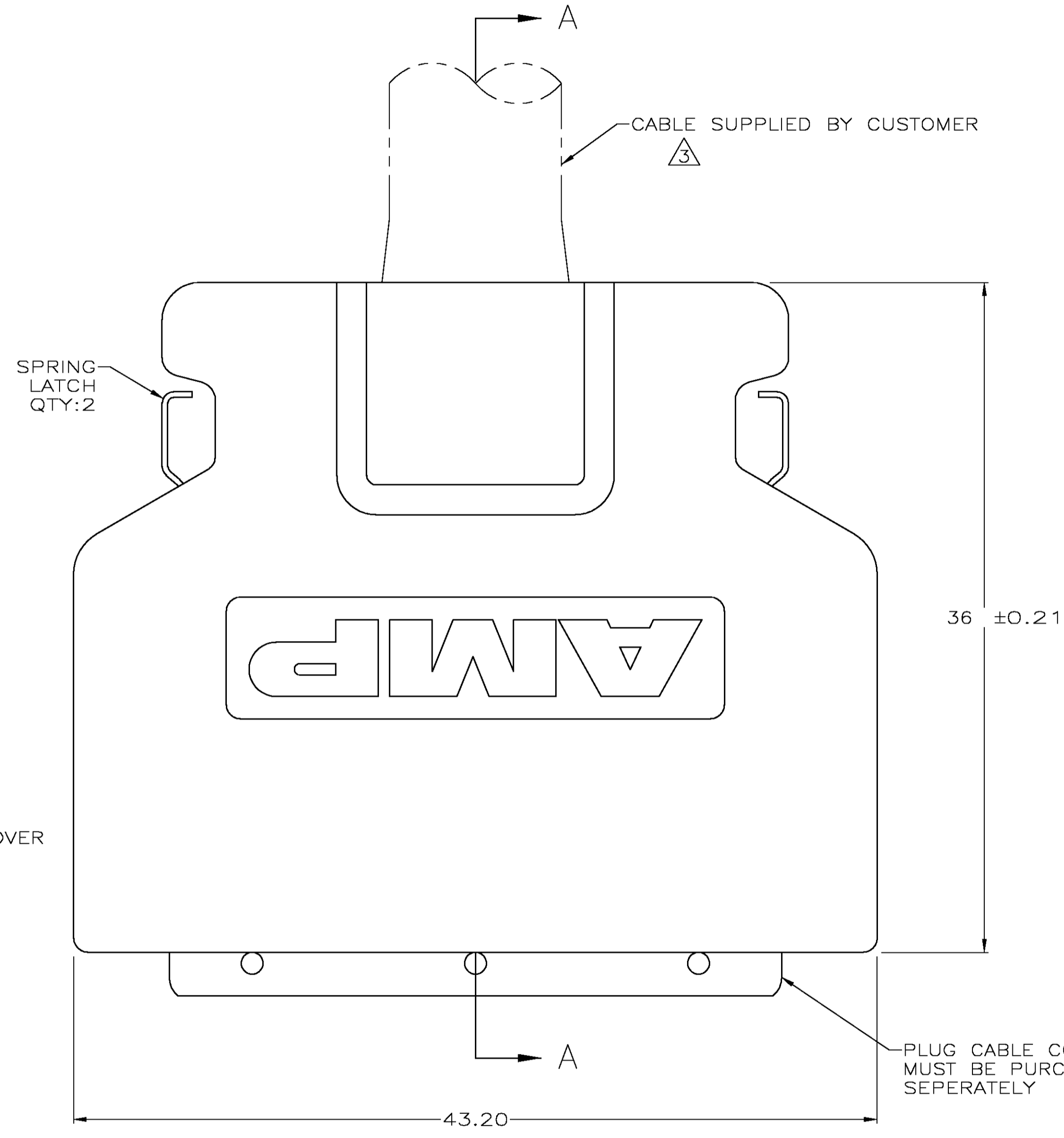


LOC		DIST		REVISIONS			
P	LR	DESCRIPTION	DATE	DMN	APVD		
C		REDRAWN PER EC 0513-0148-04		OBMAROS	TS	JG	



SECTION A-A



- ⚠ MATERIAL:  
 HERMAPHRODITIC BACKSHELL- STEEL.  
 SPRING LATCH- STAINLESS STEEL.  
 HERMAPHRODITIC SPRING LATCH COVER- UL 94V-0 RATED  
 ABS MOLDING COMPOUND, COLOR-BLACK.
- ⚠ PLATING:  
 HERMAPHRODITIC BACKSHELL- 5µm MIN BRIGHT NICKEL OVER  
 2.5µm MIN COPPER.
- ⚠ RECOMMENDED WIRE: 30 AWG WITH A 0.56-0.64 INSULATION DIAMETER,  
 WIRE MUST BE APPROVED BY AMP ENGINEERING.

OBSOLETE	INDIVIDUAL KIT	787229-2
	BULK, 100 KITS	787229-1
	PACKAGING	PART NUMBER

THIS DRAWING IS A CONTROLLED DOCUMENT.		DMN T. SHUEY	OBMAROS	<b>tyco</b> Electronics	Tyco Electronics Corporation Harrisburg, Pa 17105-3608
DIMENSIONS: mm		CHK J. GERACE	OBMAROS	NAME M. WALMSLEY	PRODUCT SPEC 108-1471
TOLERANCES UNLESS OTHERWISE SPECIFIED:		APPROVALS		APPLICATION SPEC	
0 PLC	± -	SIZE		DRAWING NO	
1 PLC	± -	WEIGHT		RESTRICTED TO	
2 PLC	± 0.13	A1		00779	
3 PLC	± -	CUSTOMER DRAWING		SCALE 5:1	
4 PLC	± -			SHEET 1 OF 1	
ANGLES	± -			REV C	