

5

4

3

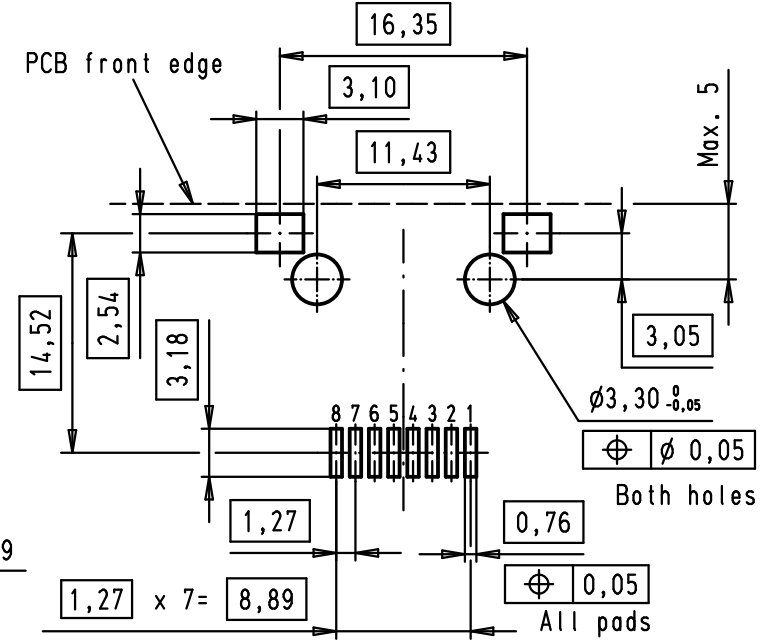
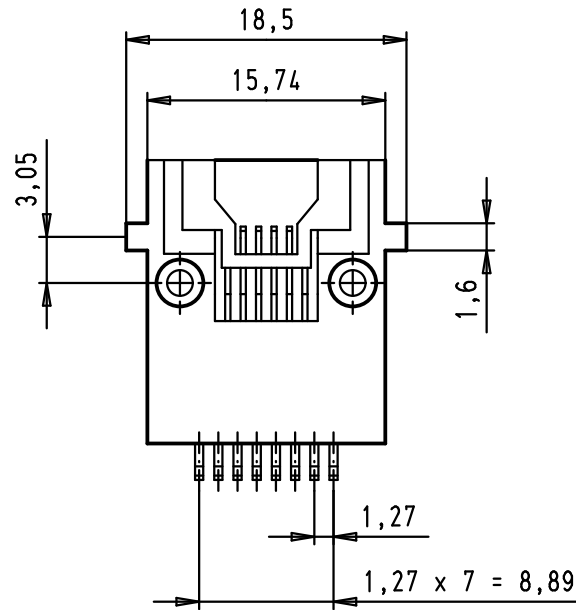
2

1

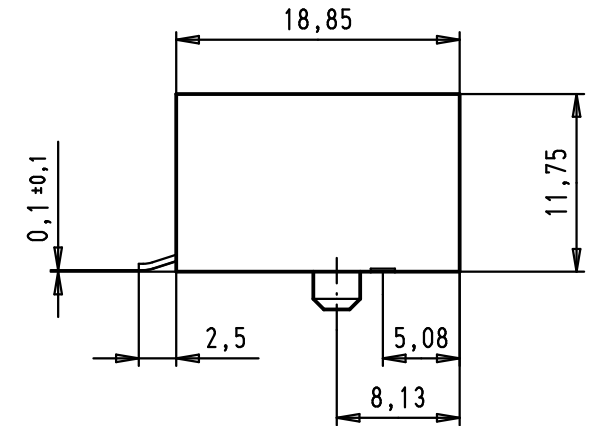
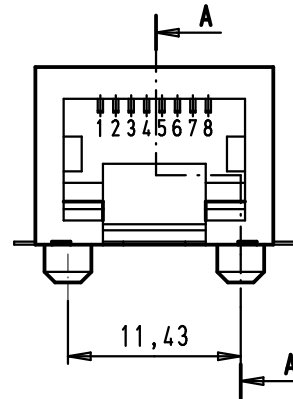
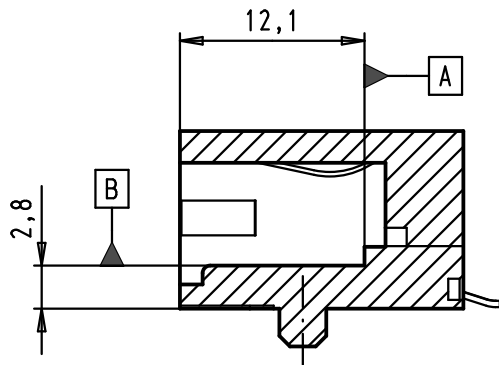
Material:

Shielding: Copper alloy with nickel plating  
 Insert: NY-46, UL-94-V0, black  
 Contact: -Alloy, C5210, selective gold plating over nickel in contact area  
 -Tin plating over nickel in solder area

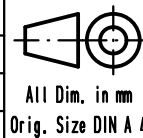
PCB layout, component side



A-A



36299	20/04/12	SD		Dat.	Name
35070	06/08/08	PK	Detail.	31/03/04	JH
34885	21/02/08	LP	Insp.	31/03/04	JMV
33468	10/05/06	JFB	Stand.		
32489	15/12/04	JFB	HARTING EURL F-95972 Paris		
31884	31/03/04	JH			
Mod.	Dat.	Name			



All Dim. in mm  
Orig. Size DIN A 4

HARTING RJ Industrial®  
 RJ 45 Jack  
 with 8 SMT signal terminations  
 and 2 grounding SMT terminations

Maßstab/  
Scale  
2:1



TB 09 45 551 1100

Blatt/ Page  
1 / 1

Sub.