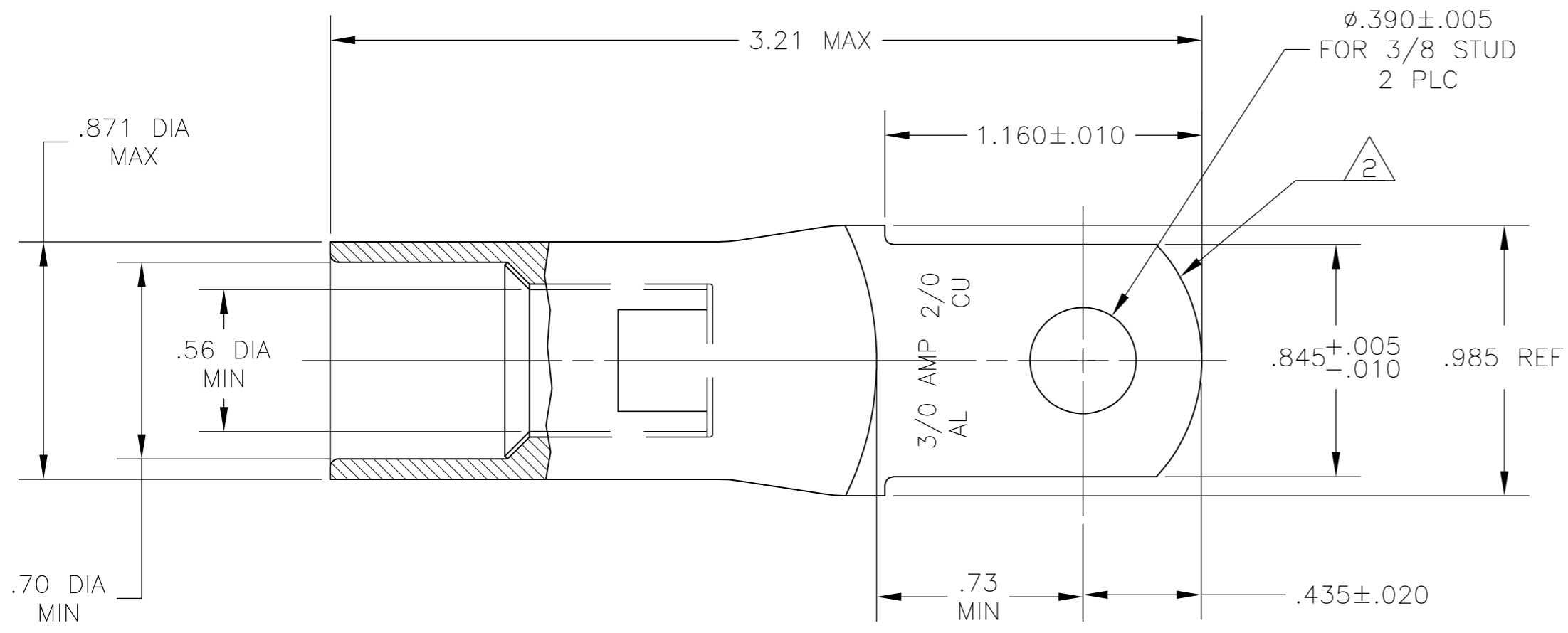
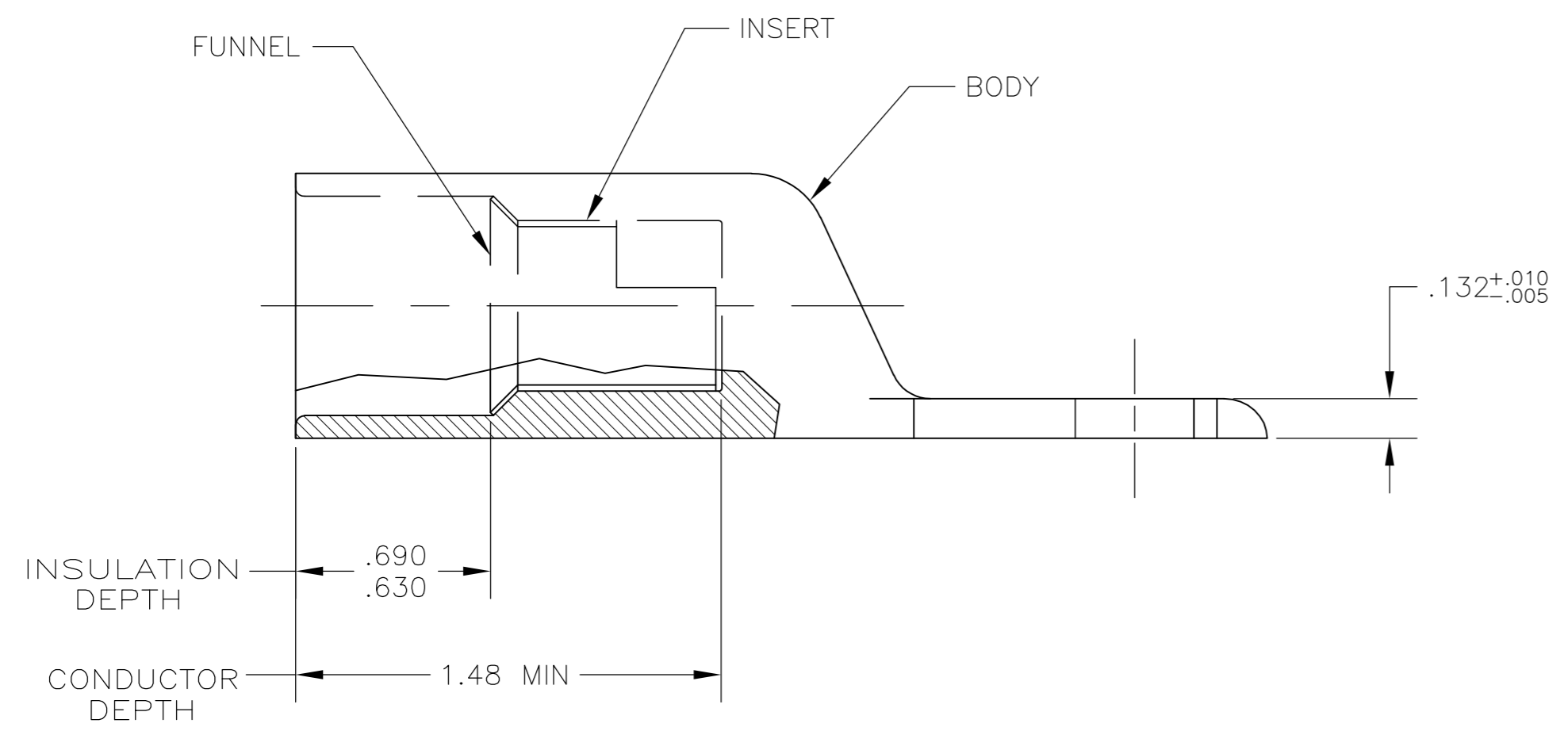


THIS DRAWING IS UNPUBLISHED. RELEASED FOR PUBLICATION  
 © COPYRIGHT - By - ALL RIGHTS RESERVED.

LOC		DIST		REVISIONS			
P	LTR	DESCRIPTION	DATE	DWN	APVD		
-	-	E	REVISED PER ECO-15-005109	27APR15	KG	PD	



1 WIRE INSULATION: .520-.645 DIA  
 2 THE TONGUE RADIUS FEATURE IS NOT A TOOLING CONTROLLED DIMENSION AND MAY NOT BE A TRUE RADIUS.



BODY: COPPER ASTM-B187 ANNEALED TIN PL PER ASTM B-545 .000150 MIN THK INSERT & FUNNEL: BRASS ASTM B36 NICKEL PL SAE AMS QQ-N-290A, DATED JULY 2000, .000100 MIN THK	696974-1
MATERIAL & FINISH	PART NO.

THIS DRAWING IS A CONTROLLED DOCUMENT.		DWN	JR RUTH	23MAY06	 TE Connectivity WIRE TERMINAL, RING, NARROW TONGUE, SEALED COPALUM, WIRE SIZE: 3/0 ALUMINUM, 2/0 COPPER
DIMENSIONS: INCHES		CHK	MJ SPICER	23MAY06	
TOLERANCES UNLESS OTHERWISE SPECIFIED:		APVD	MJ SPICER	23MAY06	
0 PLC ± - 1 PLC ± - 2 PLC ± - 3 PLC ± - 4 PLC ± - ANGLES ± -		PRODUCT SPEC			
MATERIAL	SEE TABLE	FINISH	SEE TABLE	WEIGHT	103 ± 5 GRAMS
		CUSTOMER DRAWING		SCALE	2:1
				SHEET	1 of 1
				REV	E