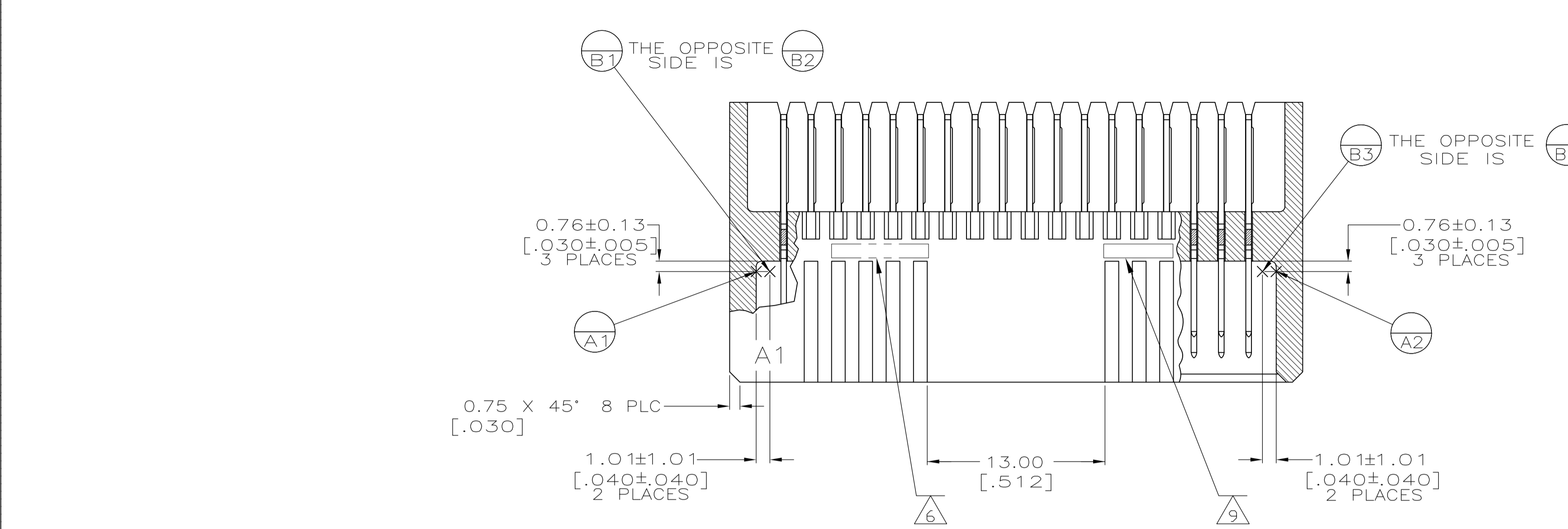
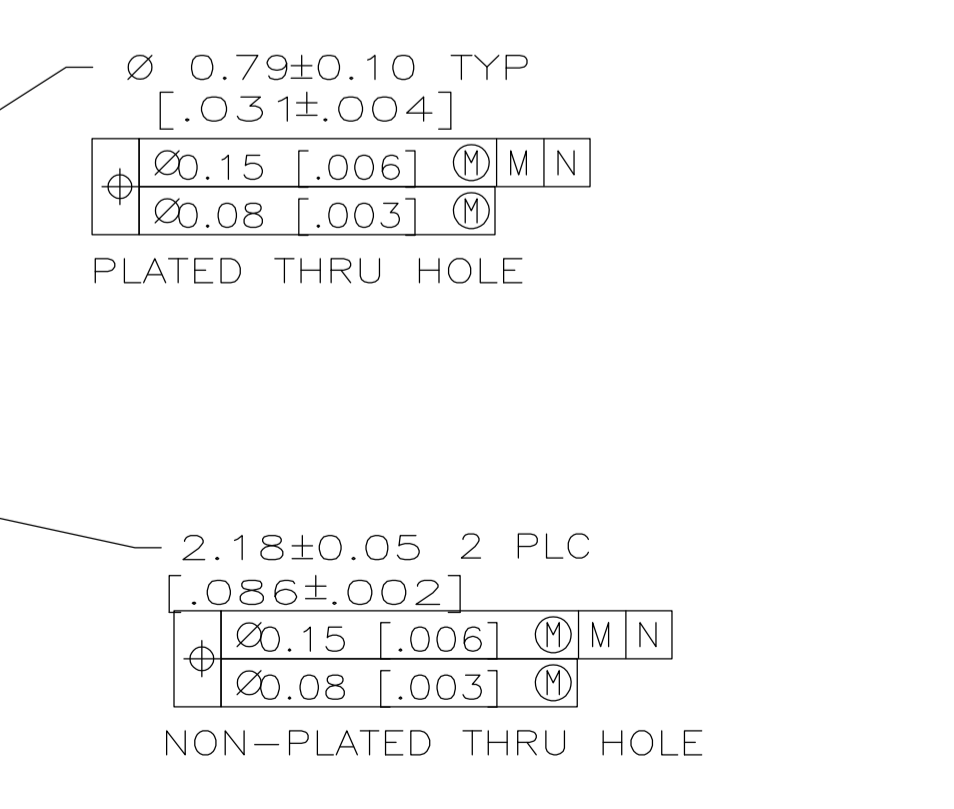
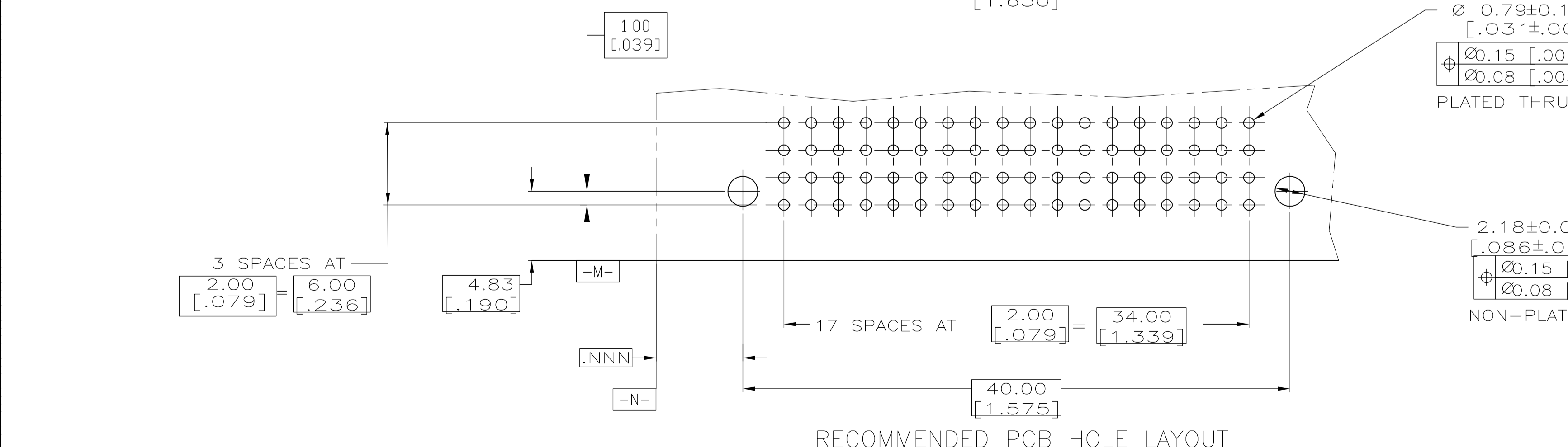
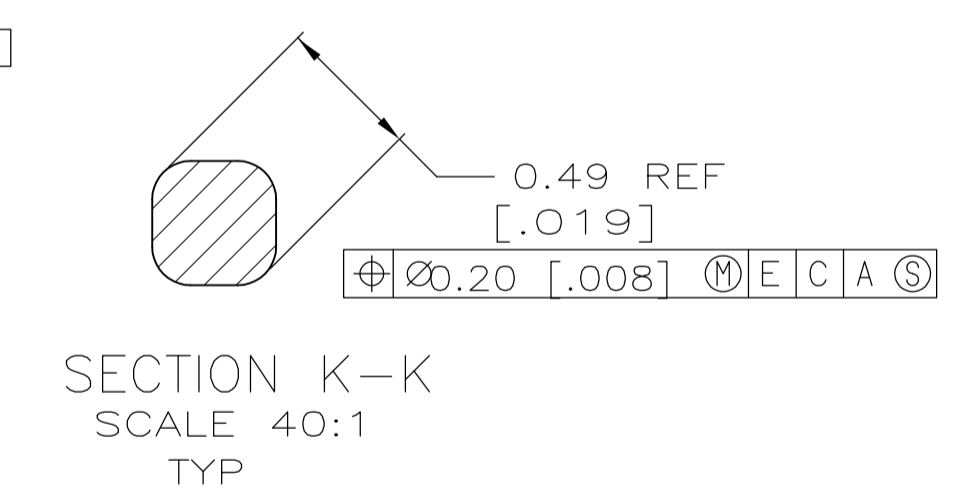
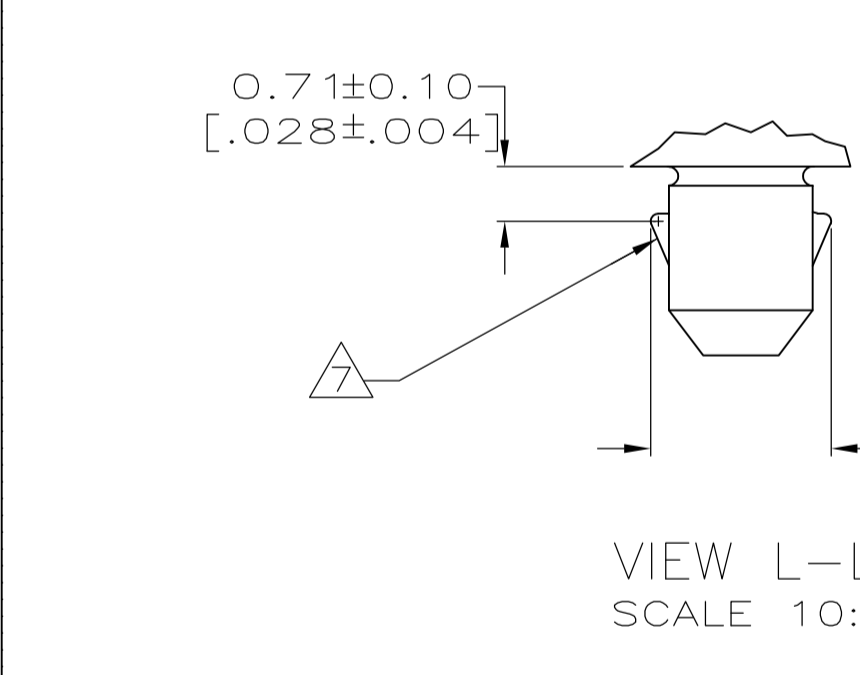
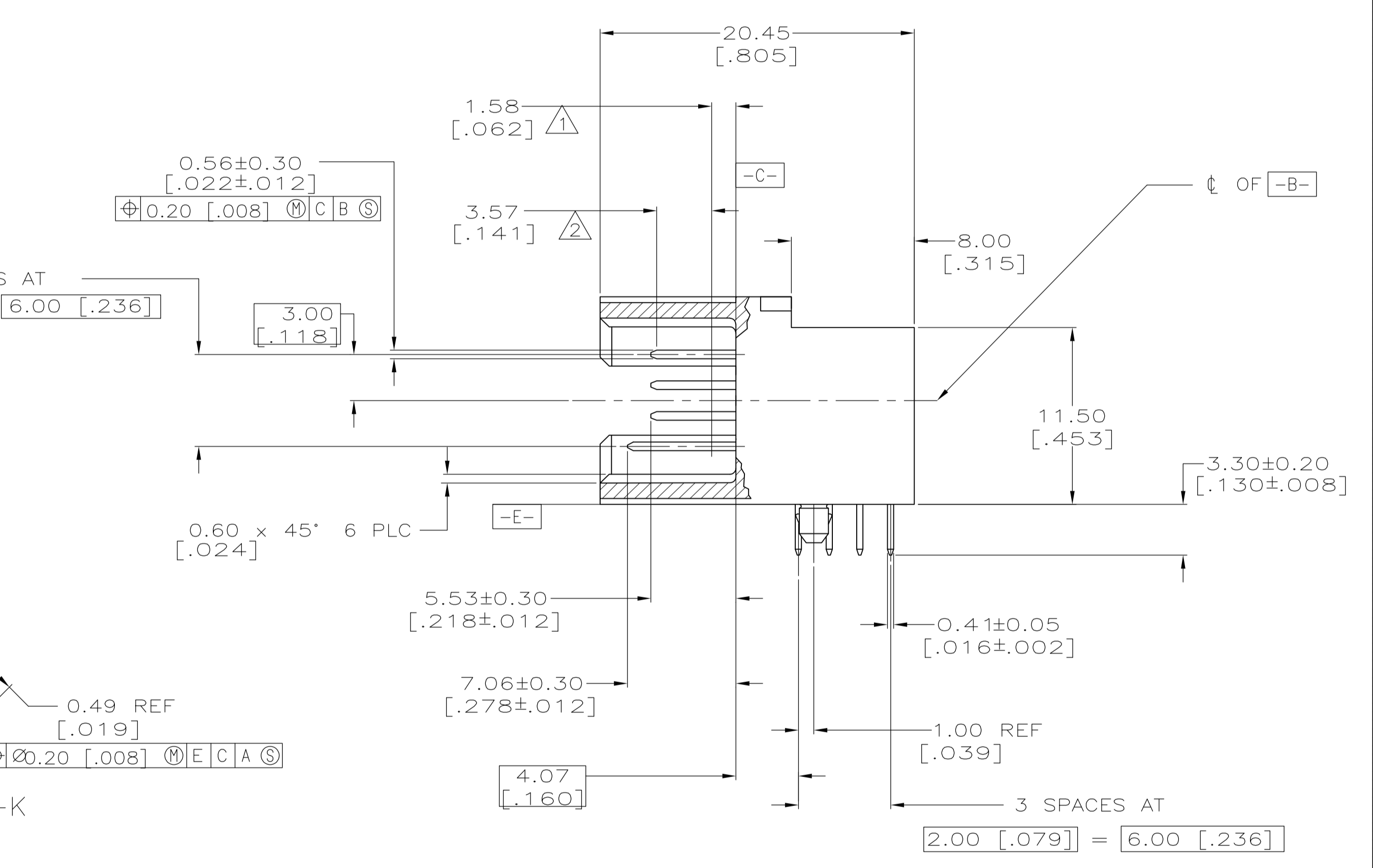
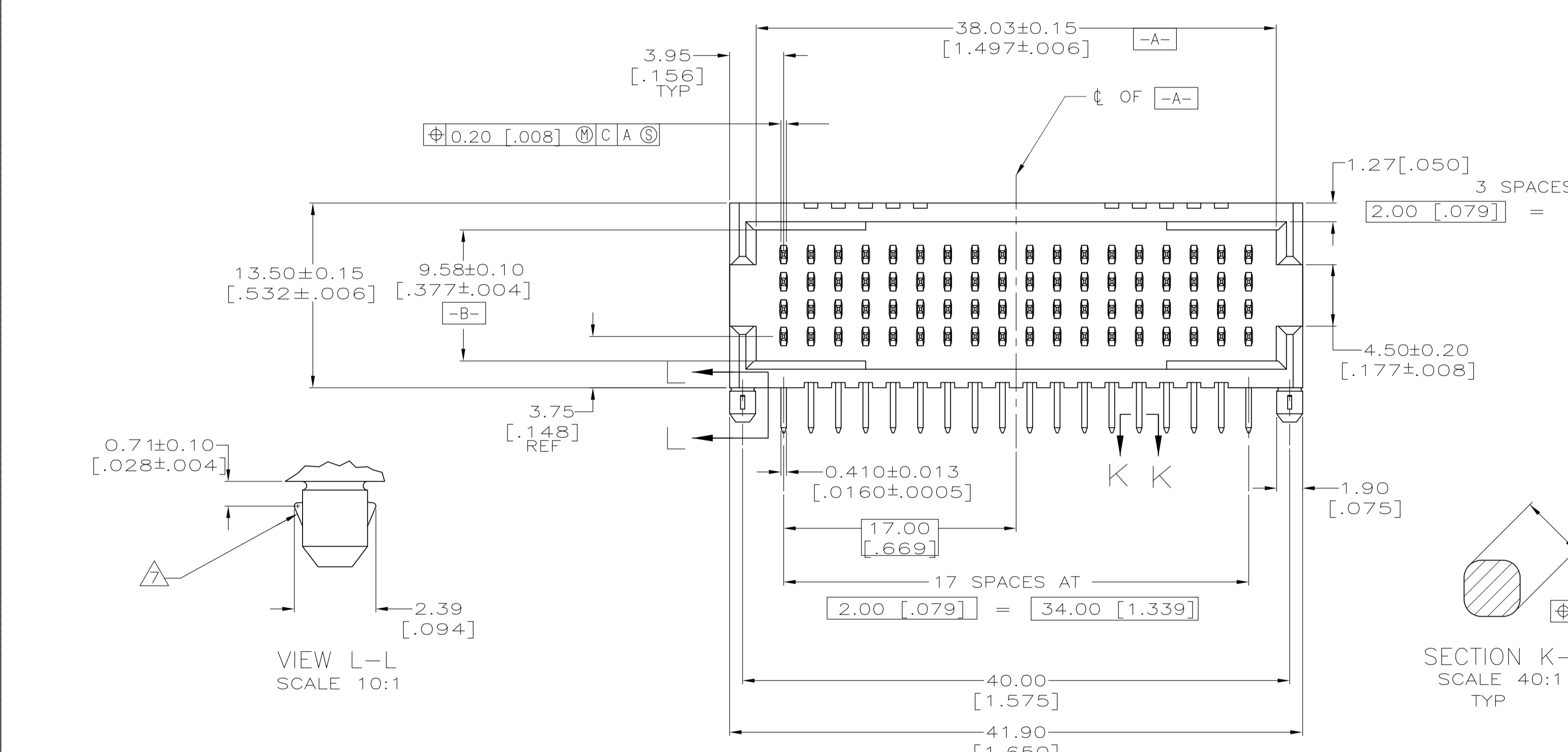


LOC		DIST		REVISONS			
DF	X5	REV	DESCRIPTION	DATE	BY	APPV	
G		ECO 08-024363		08OCT08	MB	MZ	
G1		REVISED PER ECO-09-021510		14SEP09	KK	AEG	



- 1 DISTANCE TO INTERFACE - REF ONLY.
- 2 NOMINAL WIPE EXCLUDING POST TIP - REF ONLY.
- 3 HOUSING MATERIAL: LCP, COLOR: BLACK.
- 4 CONTACT BASE MATERIAL: PSOSPHOR BRONZE.
- 5 CONTACT PLATING: 0.00076[.000030] MIN GOLD OVER 0.00127[.000050] MIN NICKEL IN CONTACT AREA. 0.00381[.000150] MIN HOT AIR LEVELED TIN-LEAD ON SOLDER TAILS.
- 6 MARKED WITH TE PART NUMBER IN APPROXIMATE AREA SHOWN.
- 7 RETENTION FEATURE MATERIAL: BERYLLIUM COPPER 0.250±0.013[.0100±.0005] THICK.
- 8 CONTACT PLATING: 0.00076[.000030] MIN GOLD OVER 0.00127[.000050] MIN NICKEL IN CONTACT AREA. 0.00381[.000150] MIN LEAD FREE MATTE TIN ON SOLDER TAILS.
- 9 MARKED WITH DATE CODE IN APPROXIMATE AREA SHOWN.
- 10 OBSOLETE PARTS: OBSOLETE CIS STREAMLINING PER D.RENAUD/D.SINISI



10 OBSOLETE	72	-646279-2
72	646279-1	
FINISH	NO OF POSN	PART NUMBER

THIS DRAWING IS A CONTROLLED DOCUMENT.		BIN J ASICK 10/25/93		Tyco Electronics Corporation Harrisburg, PA 17105-3608	
DIMENSIONS: INCHES [mm]		TOLERANCES UNLESS OTHERWISE SPECIFIED:		NAME	
0 PLC ± -		1 PLC ± -		Z-PACK 2mm RS	
2 PLC ± 0.13 [.005]		3 PLC ± -		R/A PIN HEADER ASSEMBLY	
4 PLC ± -		ANGLES ± °		SEQUENCED MATING POST LENGTH	
MATERIAL FINISH SEE TABLE		WEIGHT		SIZE CASE CODE DRAWING NO RESTRICTED TO	
3 4 7		A1 00779 C=646279		CUSTOMER DRAWING SCALE 4:1 SHEET 1 OF 1 REV G1	