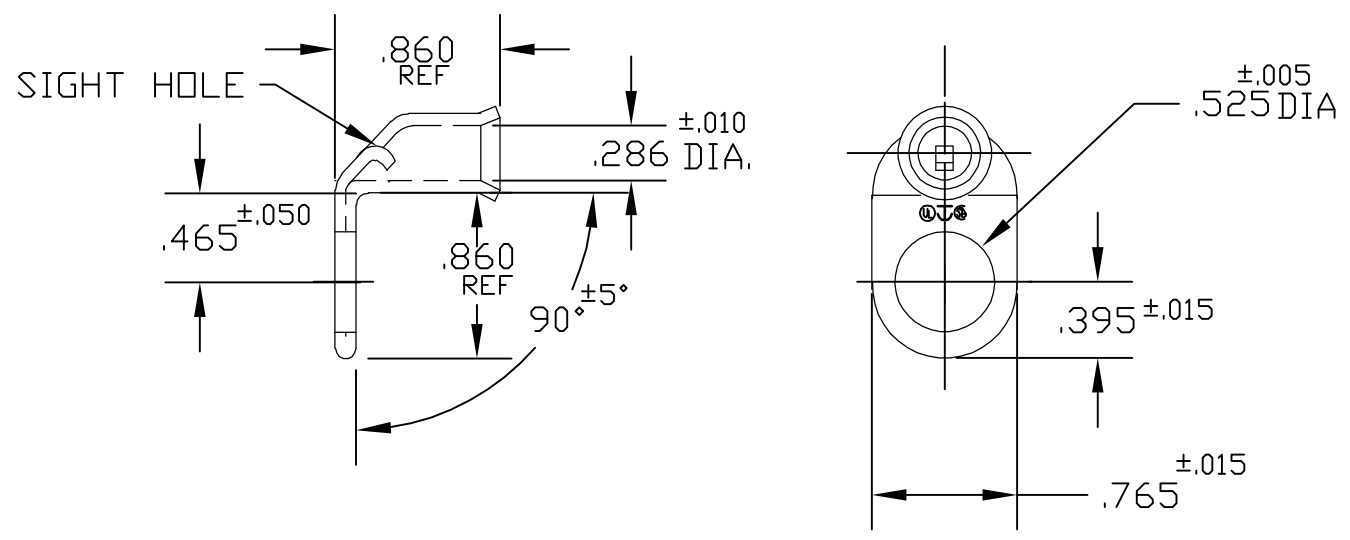


THIS DRAWING IS UNPUBLISHED. RELEASED FOR PUBLICATION
 © COPYRIGHT - BY TYCO ELECTRONICS CORPORATION. ALL RIGHTS RESERVED.

| LOC | DIST | REVISIONS | | | | | |
|-----|------|-----------|-----|---------------------------|---------|-----|------|
| | | P | LTR | DESCRIPTION | DATE | DWN | APVD |
| G | 50 | | B1 | REVISED PER ECR-06-010006 | 02MAY06 | HMR | JR |



| | | | | |
|--------|------------|-----------|-----------|-------------|
| ACTIVE | 4503-11-90 | STANDARD | TIN PLATE | 1526287-2 |
| ACTIVE | 4503-10-90 | STANDARD | PLAIN | 1526287-1 |
| STATUS | AET P/N | PACKAGING | FINISH | PART NUMBER |

| | | | | | | |
|---|--|---------------------------|---|--------------|--------------------|-------------------------|
| THIS DRAWING IS A CONTROLLED DOCUMENT. | | DWN D.A.A 10/25/00 | Tyco Electronics Corporation Harrisburg, PA 17105-3608 | | | |
| DIMENSIONS: INCHES | | CHK H.D.F 10/25/00 | | | | |
| | | APVD H.D.F 10/25/00 | NAME 4 STANDARD TERMINAL W/SIGHT HOLE & 90° BEND | | | |
| TOLERANCES UNLESS OTHERWISE SPECIFIED: 0 PLC ± - 1 PLC ± - 2 PLC ± - 3 PLC ± - 4 PLC ± - ANGLES ± - | | PRODUCT SPEC - | RESTRICTED TO - | | | |
| MATERIAL COPPER ASTM B-152 | | FINISH - | APPLICATION SPEC - | SIZE A3 | CAGE CODE 00779 | DRAWING NO C-1526287 |
| CUSTOMER DRAWING | | | WEIGHT - | SCALE 1:1 | SHEET 1 OF 1 | REV B1 |