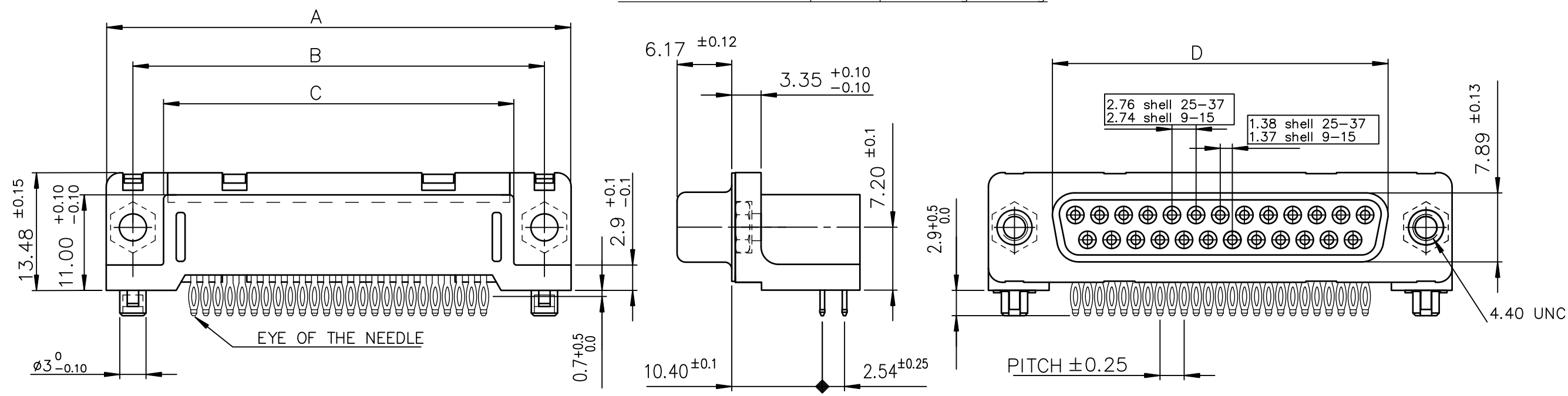
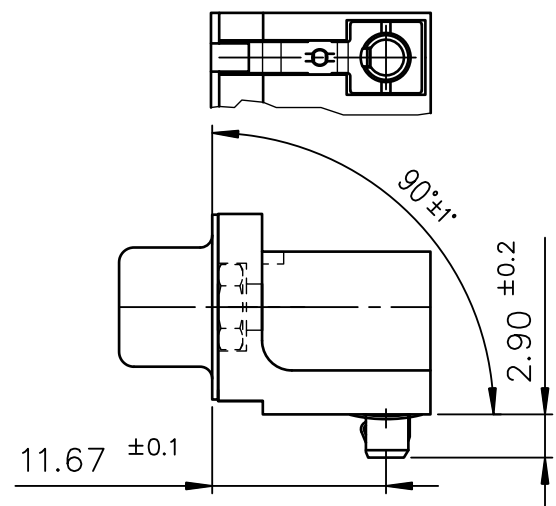


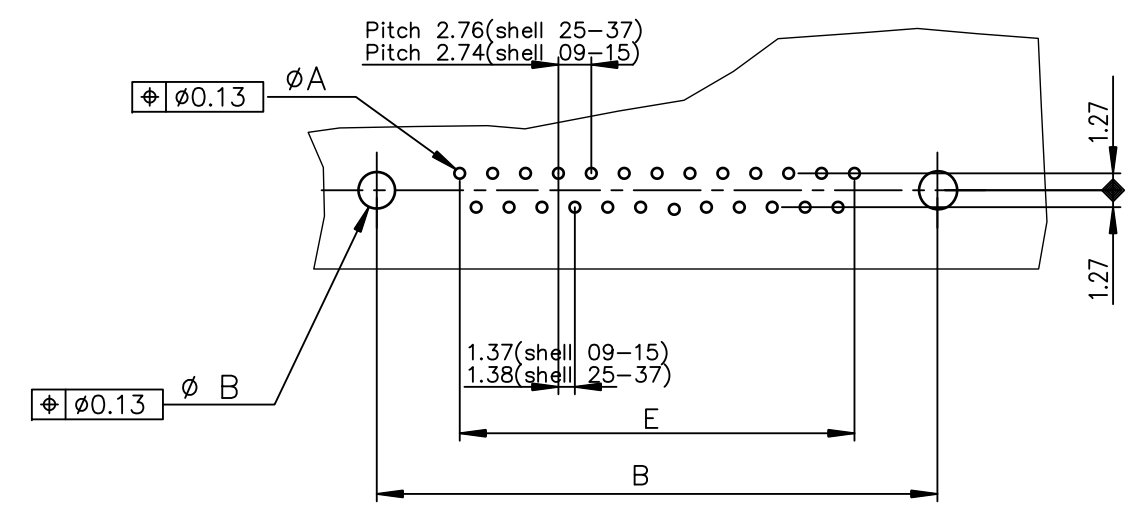
view shown without plastic pin and grounding



Detail of grounding strip



PC card drilling dimensions(after plating)
(thickness 1.60 ±0.20)



TIN LEAD PART NUMBER

SHELL	A±0.38	B±0.12	C±0.10	D±0.25	E±0.07	PART NUMBER	PART NUMBER
09	30.81	24.99	18.00	16.21	10.96	D09S81C4GX00	D09S81C6GX00
15	39.14	33.32	26.32	24.54	19.18	D15S81C4GX00	D15S81C6GX00
25	53.03	47.04	40.04	38.25	33.12	D25S81C4GX00	D25S81C6GX00
37	69.32	63.50	56.50	54.71	49.68	D37S81C4GX00	D37S81C6GX00
						Gold flash	0.76 μ gold

LEAD FREE PART NUMBER

SHELL	A±0.38	B±0.12	C±0.10	D±0.25	E±0.07	PART NUMBER	PART NUMBER
09	30.81	24.99	18.00	16.21	10.96	D09S81C4GX00LF	D09S81C6GX00LF
15	39.14	33.32	26.32	24.54	19.18	D15S81C4GX00LF	D15S81C6GX00LF
25	53.03	47.04	40.04	38.25	33.12	D25S81C4GX00LF	D25S81C6GX00LF
37	69.32	63.50	56.50	54.71	49.68	D37S81C4GX00LF	D37S81C6GX00LF
						Gold flash	0.76 μ gold

GENERAL CHARACTERISTICS AND ROHS INFORMATIONS:
SEE DRAWING C01-8646-0001

mat'l. code				surface ISO 1302 ✓		tolerance ISO 406 ISO 1101		projection		product family	
-								D-SUB		D-SUB	
ltr				ecn no		dr		date		title	
K				ELX-I-18050		MP		2014/06/23		FEMALE CONNECTOR DELTA-D EUROPE RIGHT ANGLED PRESS FIT	
				angles		linear		.0±0.1		MM	
				0°±2°				.00±0.1		scale 2:1	
								.000±0.1		FCI	
				dr		PESSON		1996/11/06		dwg no	
				enr		MITHUN PAUL		2014/06/23		sheet 1 of 1	
				chr		ALIAS BABU		2014/06/23		size	
				appd		BIJU K PAUL		2014/06/23		A3	
sheet index				revision		K				type	
1				sheet		1				Product Customer Drawing	