

10

9

8

7

6

5

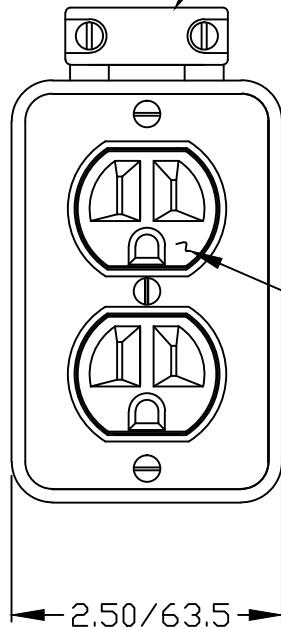
4

3

2

1

CORD DIAMETER RANGES
0.325-0.655 IN



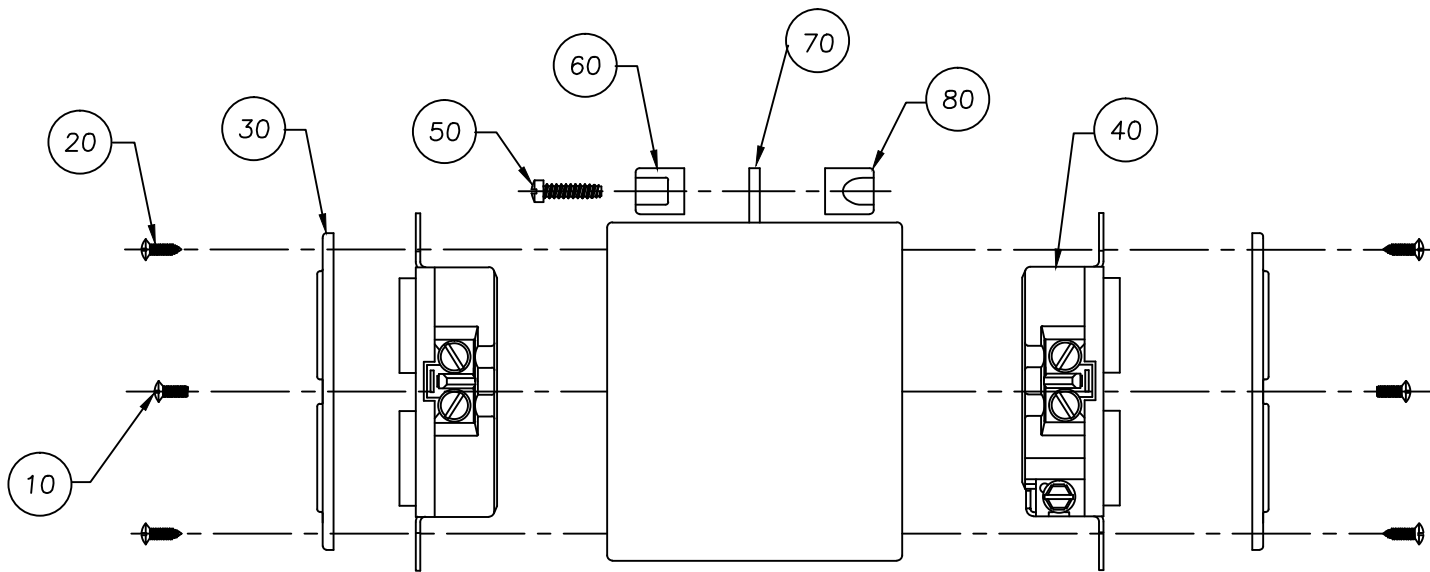
NEMA 5-15

2.50/63.5

3.88/98.6

4.63/117.6

* LENGTH
(SEE TABLE)



WOODHEAD NO.	MATERIAL NO.	* LENGTH	DESCRIPTION/COLOR
3000-1	1301370088	3.38/85.9	STANDARD DEPTH BOX/BROWN
3000-1BLK	1301370099	3.38/85.9	STANDARD DEPTH BOX/BLACK
3080-1	1301370165	4.38/111.3	EXTENDED DEPTH BOX/BROWN

ITEM NO.	DESCRIPTION	MATERIAL
10	SCREW	STAINLESS STEEL
20	SCREW	STAINLESS STEEL
30	COVERPLATE	NYLON
40	RECEPTACLE	5252DW OR 5252DWBLK
50	SCREW	STAINLESS STEEL
60	CORD CLAMP	NYLON
70	OUTLET BOX	RUBBER
80	CORD CLAMP	NYLON

SALES DRAWING RELEASE
 EC NO: IPG2013-0904
 DRWN: HRUIZ01 2012/12/13
 CHKD: HKNEELAN
 APPR: DTITUS 2013/01/29

QUALITY SYMBOLS
 ▽=0
 ▽=0

GENERAL TOLERANCES (UNLESS SPECIFIED)

	mm	INCH
4 PLACES	±---	±---
3 PLACES	±---	±.005
2 PLACES	±.13	±.010
1 PLACE	±.25	±.020

ANGULAR ±1/2°

DRAFT WHERE APPLICABLE MUST REMAIN WITHIN DIMENSIONS

DIMENSION STYLE INCH/MM

DRAWN BY: AL DATE: 2002/04/16

CHECKED BY: --- DATE: ---

APPROVED BY: DTITUS DATE: 2013/01/29

MATERIAL NO. 3000/3080-X

SIZE B

SCALE NTS

DESIGN UNITS INCH

THIRD ANGLE PROJECTION

TITLE
**SUPER-SAFEWAY
 OUTLET BOX WITH TWO
 DUPLEX RECEPTACLES**

MOLEX INCORPORATED

DOCUMENT NO. SD-130137-031

SHEET NO. 1 OF 1

THIS DRAWING CONTAINS INFORMATION THAT IS PROPRIETARY TO MOLEX INCORPORATED AND SHOULD NOT BE USED WITHOUT WRITTEN PERMISSION

10

9

8

7

6

5

4

3

2

1