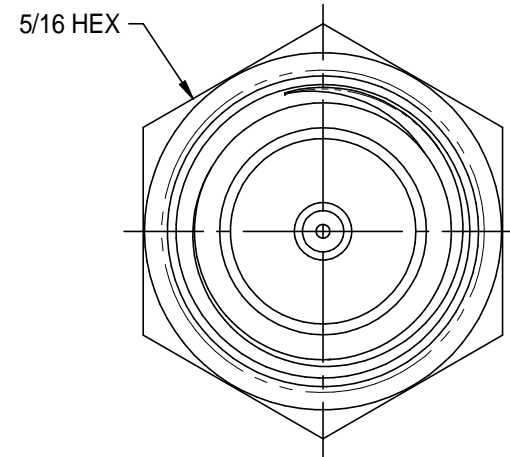


SMA MALE CONN.
PER MIL-STD-348
FIGURE 310-1



NOTES: UNLESS OTHERWISE SPECIFIED.

1. SPECIFICATIONS:

- 1.1 FREQUENCY RANGE: DC - 18.0 GHz
- 1.2 VSWR (MAX): 1.15:1
- 1.3 INPUT POWER: 1 WATT AVGERAGE, 100 WATTS PEAK
- 1.4 IMPEDANCE: 50 OHMS
- 1.5 WEIGHT: .25 OZ MAX.

2. MATERIALS AND FINISH:

HOUSING & COUPLING NUT: GOLD PLATED STAINLESS STEEL
CENTER CONTACT: GOLD PLATED BERYLLIUM COPPER
DIELECTRIC: PTFE (TEFLON)

		Midwest Microwave	
	RoHS <input checked="" type="checkbox"/> 2002/95/EC	Title: TERMINATION	
<small>This PROPRIETARY Document is property of Emerson Network Power Connectivity Solutions. It is confidential in nature, non-transferable, and issued with the clear understanding that it is not tracked or copied without permission and is retrievable upon demand.</small>	<small>UNLESS OTHERWISE SPECIFIED</small> UNITS: INCH .XX ±.02 .XXX ±.005 ANGLES ±2°	Model No. M39030/3-11(N OR S)	
<small>INTERPRET DRAWING IN ACCORDANCE WITH ASME Y14.5-2009.</small>	Size A	DO NOT SCALE DRAWING	Date: 5/22/2013 Sheet 1 of 1