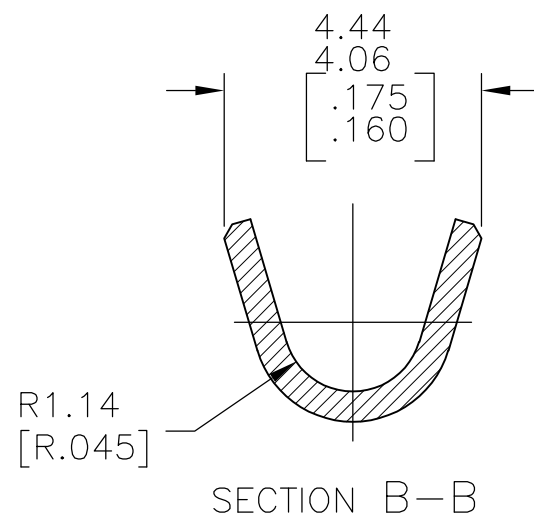
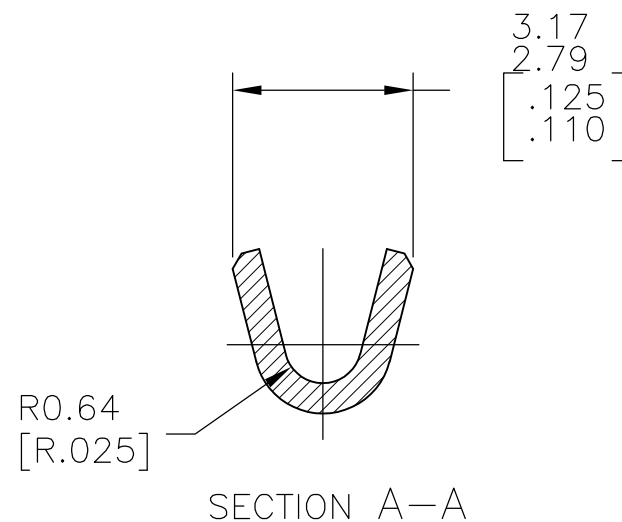
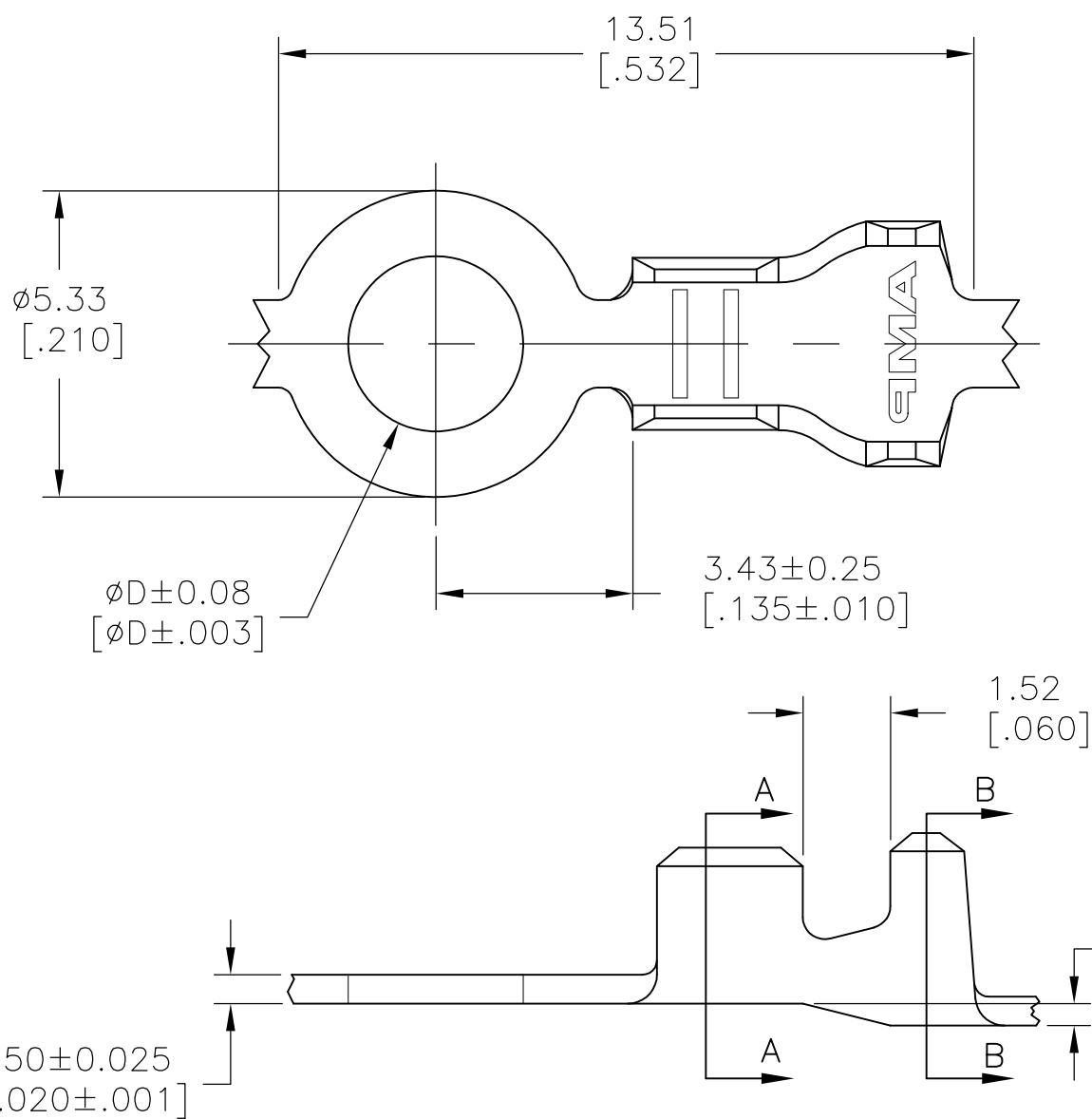


THIS DRAWING IS UNPUBLISHED. RELEASED FOR PUBLICATION
 © COPYRIGHT - By - ALL RIGHTS RESERVED.

LOC	DIST	REVISIONS			
P	LTR	DESCRIPTION	DATE	DWN	APVD
BG	1	E3	REVISED PER ECR-11-006895	04APR11	JR PD



0.38
[.015]

- 1 CONTINUOUS STRIP ON REELS
- 2 WIRE SIZE #22-#18 AWG
- 3 INSULATION RANGE 1.27-2.79 [.050-.110] DIA

OBSOLETE	3.71 [.146]	PRE-TINNED	#6	109453-4
	3.71 [.146]	NONE	#6	109453-3
OBSOLETE	3.05 [.120]	PRE-TINNED	#4	109453-2
OBSOLETE	3.05 [.120]	NONE	#4	109453-1
	ϕD	FINISH	STUD SIZE	PART NO

DIMENSIONS:		TOLERANCES UNLESS OTHERWISE SPECIFIED:		APVD		NAME		RESTRICTED TO		
mm	[INCHES]	PLC	±	CHK	DATE	NAME	SIZE	CAGE CODE	DRAWING NO	
		0	± -	RAGHAVENDRA	19JAN2009	STE TE Connectivity				
		1	± -	DON DECKER	19JAN2009		TERMINAL RING, TONGUE			
		2	± 0.13 [.005]	DON DECKER	19JAN2009					
		3	± -	PRODUCT SPEC						
		4	± -	APPLICATION SPEC						
		ANGLES	± -	WEIGHT						
MATERIAL		FINISH		CUSTOMER DRAWING		SCALE		SHEET		
BRASS		SEE BOM		A3 00779 C-109453		8:1		1 OF 1		
								REV E3		