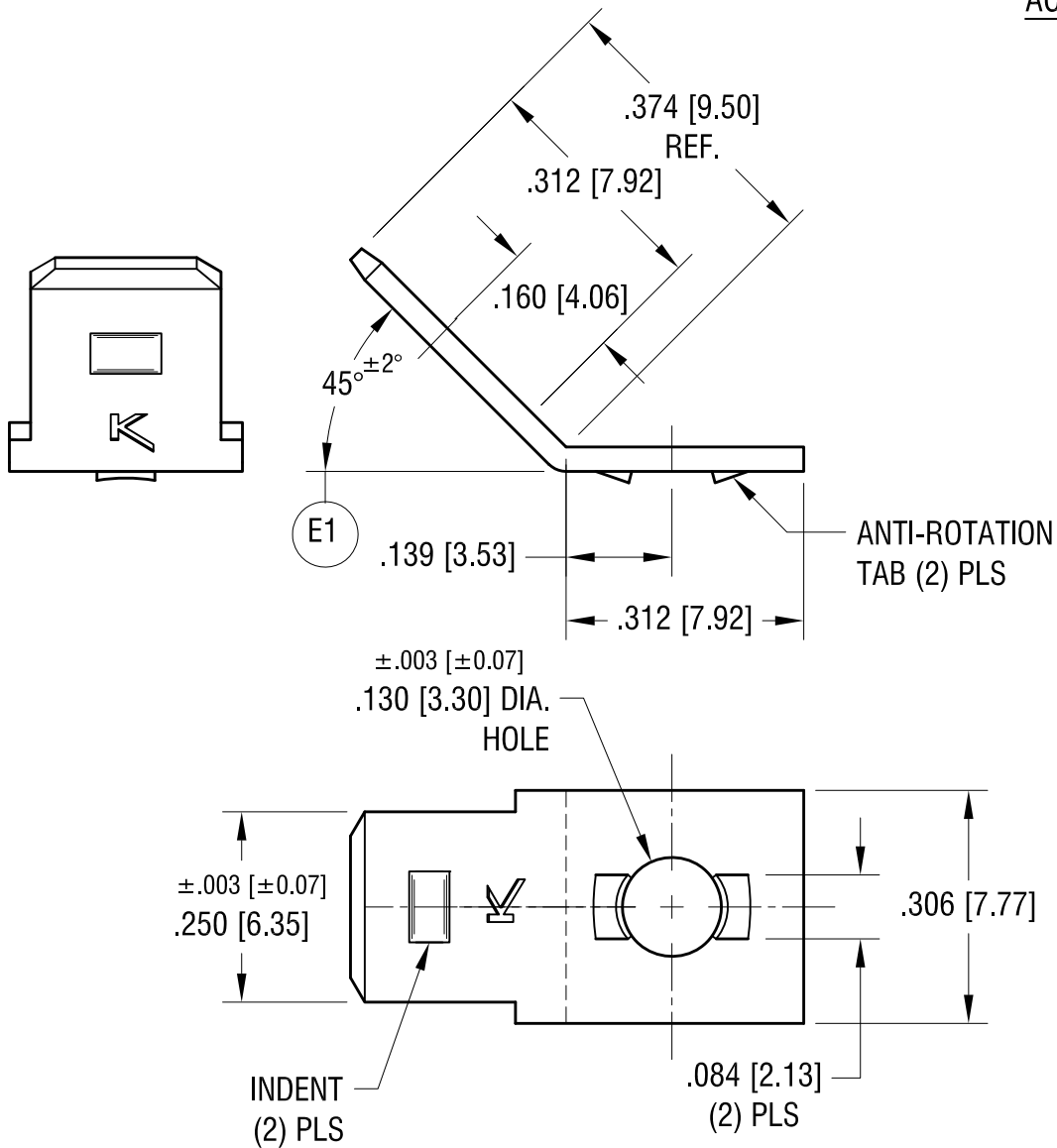
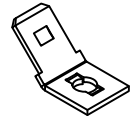


THIS DOCUMENT IS THE PROPERTY OF  
KEYSTONE ELECTRONICS CORP. AND  
SHALL NOT BE REPRODUCED, DISTRIBUTED  
OR USED AS A BASIS FOR MANUFACTURE  
WITHOUT PRIOR WRITTEN PERMISSION  
FROM KEYSTONE ELECTRONICS CORP.

ACTUAL SIZE



1.12.17	ⓔ1 WAS 45°±1° CHANGE AS PER ECN 17-007	E
1.27.16	CHANGE AS PER ECN 16-014	D
8.21.12	CHANGE AS PER ECN 12-112	C
9.15.03	CHANGE AS PER ECN 03-068	B
DATE	DESCRIPTION	REV.

<b>KEYSTONE ELECTRONICS CORP.</b>			
www.keyelco.com • ASTORIA, N.Y. 11105-2017 • Tel (718) 956-8900			
PART NAME		.250 QUICK-FIT TERMINAL	
MATERIAL		.032 [0.81] TH'K BRASS	
FINISH		DRN BY	DATE
BRIGHT BRASS		BOONE	8.9.93
		APP'D	SCALE
		LN	4X
TOLERANCES	INCH [MM]	CODE	DWG NO.
DECIMAL	± .005 [± 0.13]	C	<b>1280</b>
ANGULAR	± 1°		
UNLESS OTHERWISE SPECIFIED			