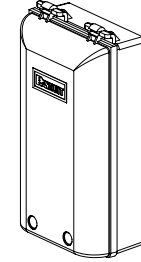
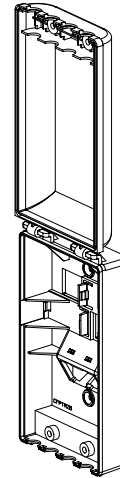
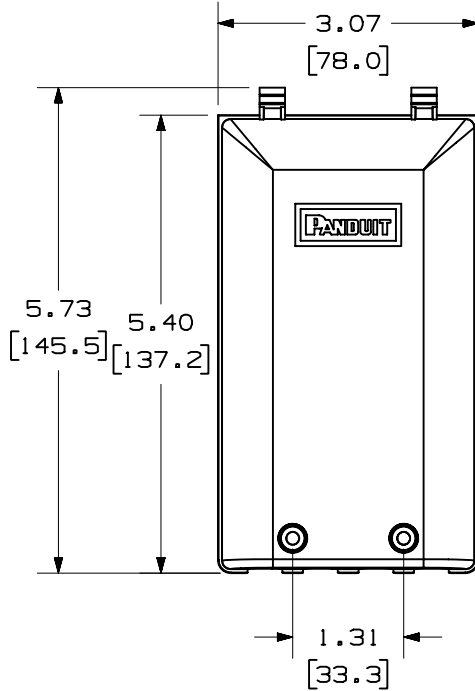


THIS COPY IS PROVIDED ON A RESTRICTED BASIS AND IS NOT TO BE USED IN ANY WAY DETRIMENTAL TO THE INTERESTS OF PANDUIT CORP.

| | |
|-------------|-------------------------------------|
| PANDUIT P/N | WEIGHT |
| CFPTR2B** | 2.59 LB/10 PCS (1174.1 g/10 PCS) |



NOTES:

- SEE CURRENT CATALOG FOR ADDITIONAL PART NUMBER SUFFIXES TO INDICATE COLOR AND OR PACKAGE QUANTITY.
- SEE CATALOG FOR A COMPLETE LIST OF PARTS APPLICABLE FOR USE WITH THIS PART.
- DIMENSIONS IN PARENTHESES ARE IN METRIC.
- PARTS INCLUDED:
 - 2- MOUNTING SCREW #6-32 X 1" (SECURES FACEPLATE TO WALL)
 - 2- TAMPER RESISTANT SCREW HEX BUTTON HEAD #6-32 X 1.25" (SECURES COVER TO BASE)
 - 1- BASE
 - 1- COVER
 - 2- COVER SCREW #6-32 X 1.25" COMBINATION PAN HEAD (SECURES COVER TO BASE)

| | | | |
|------------------|--------------------------------|------|---|
| MODEL FILENAME | MO1445AA_CFPTR2B_ASMBLY_02.PRT | SIZE | A |
| DRAWING FILENAME | MO1445AA_DC_02A.PRT | | |

MINI-COM™ TAMPER RESISTANT FACEPLATE WITH 2 BREAKOUT PORTS CUSTOMER DRAWING



| | |
|------------------|--------------------------|
| I.I. NUMBER | N/A |
| PRODUCT SPEC | N/A |
| WORK INSTRUCTION | N/A |
| SCALE | FULL |
| PART NO. | CFPTR2B** |
| DRAWING NO. | 01445-02 SHEET 1 OF 2 |

ALL DIMENSIONS ARE GIVEN IN INCHES, UNLESS OTHERWISE SPECIFIED.

DIMENSIONAL TOLERANCES ARE:
 (.X) ±.03 (.XXX) ±.005
 (.XX) ±.01 ANGLES ± 1°

THIRD ANGLE PROJECTION

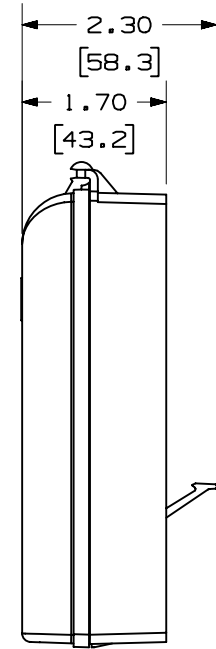
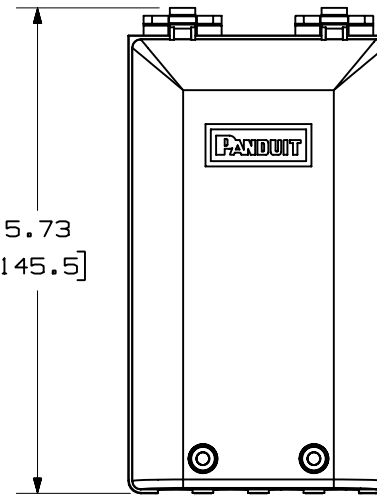
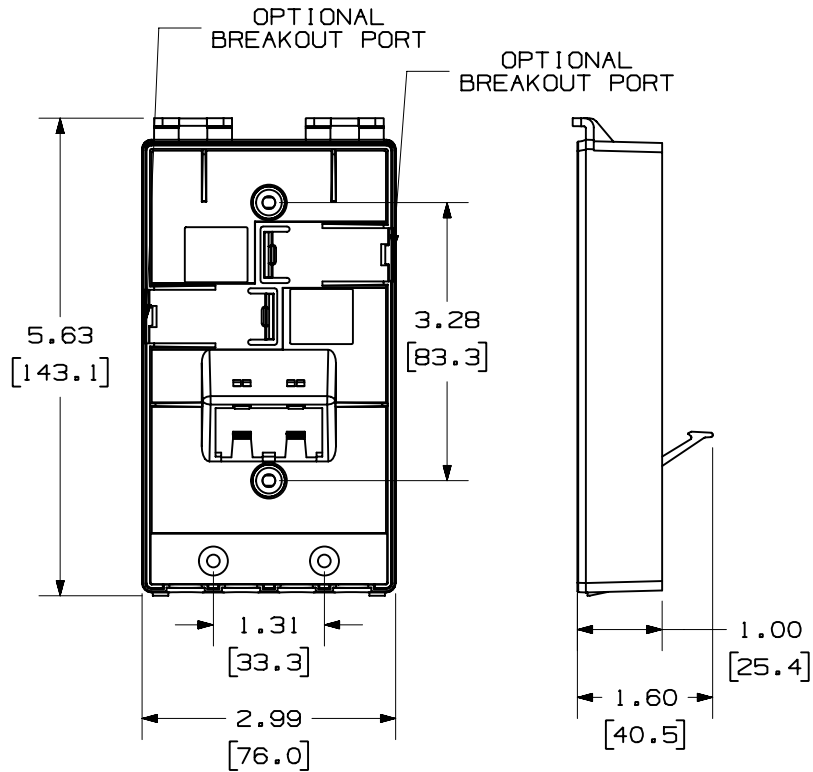
DRAWN BY: JsP
 DATE: 12-15-04
 CHECK'D: [blank]

REVIEW DRAWING NUMBERS

MATERIAL: PC

| | | | | | | | | | |
|-----|----------|-----|-----|------------------------|----------|---|------|-----|-----|
| REV | DATE | BY | CHK | DESCRIPTION | ECN | R | CUST | SUP | OTH |
| R | 12-15-04 | JsP | | RELEASED TO PRODUCTION | 01445-02 | | | | |

THIS COPY IS PROVIDED ON A RESTRICTED BASIS AND IS NOT TO BE USED IN ANY WAY DETRIMENTAL TO THE INTERESTS OF PANDUIT CORP.



| | | | |
|------------------|-------------------------------|------|---|
| MODEL FILENAME | M01445AA_CFTR2B_ASMBLY_02.PRT | SIZE | A |
| DRAWING FILENAME | M01445AA_DC_02A.PRT | | |

MINI-COM™ TAMPER RESISTANT FACEPLATE WITH 2 BREAKOUT PORTS CUSTOMER DRAWING

| | | |
|--|---|--|
| <p>PANDUIT™ CORP. TINLEY PARK, ILL 60477</p> | I.I. NUMBER | N/A |
| | PRODUCT SPEC | N/A |
| | WORK INSTRUCTION | N/A |
| | SCALE | NONE |
| <p>THIRD ANGLE PROJECTION</p> | <p>ALL DIMENSIONS ARE GIVEN IN INCHES, UNLESS OTHERWISE SPECIFIED.</p> <p>DIMENSIONAL TOLERANCES ARE: (.X) ±.03 (.XXX) ±.005 (.XX) ±.01 ANGLES ± 1°</p> | <p>REVIEW DRAWING NUMBERS</p> |
| <p>DRAWN BY JsP</p> | <p>DATE 12-15-04</p> | <p>PART NO. CFPTR2B**</p> |
| <p>CHK'D</p> | <p>MATERIAL: PC</p> | <p>DRAWING NO. 01445-02 SHEET 2 OF 2</p> |

| REV | DATE | BY | CHK | DESCRIPTION | ECN | R | CUST | SUP | OTH |
|-----|----------|-----|-----|-------------------|----------|---|------|-----|-----|
| R | 12-15-04 | JsP | | SEE SHEET 1 OF 2. | 01445-02 | | | | |