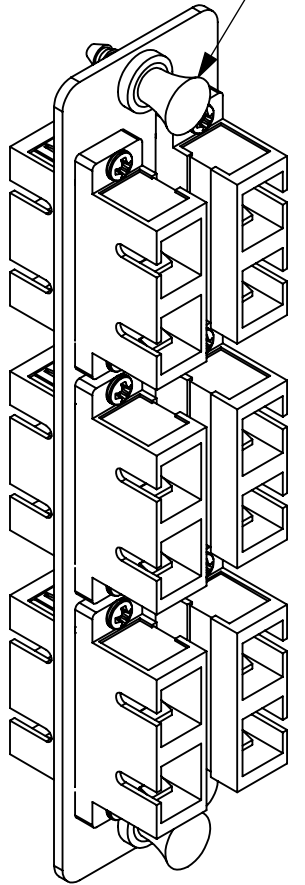
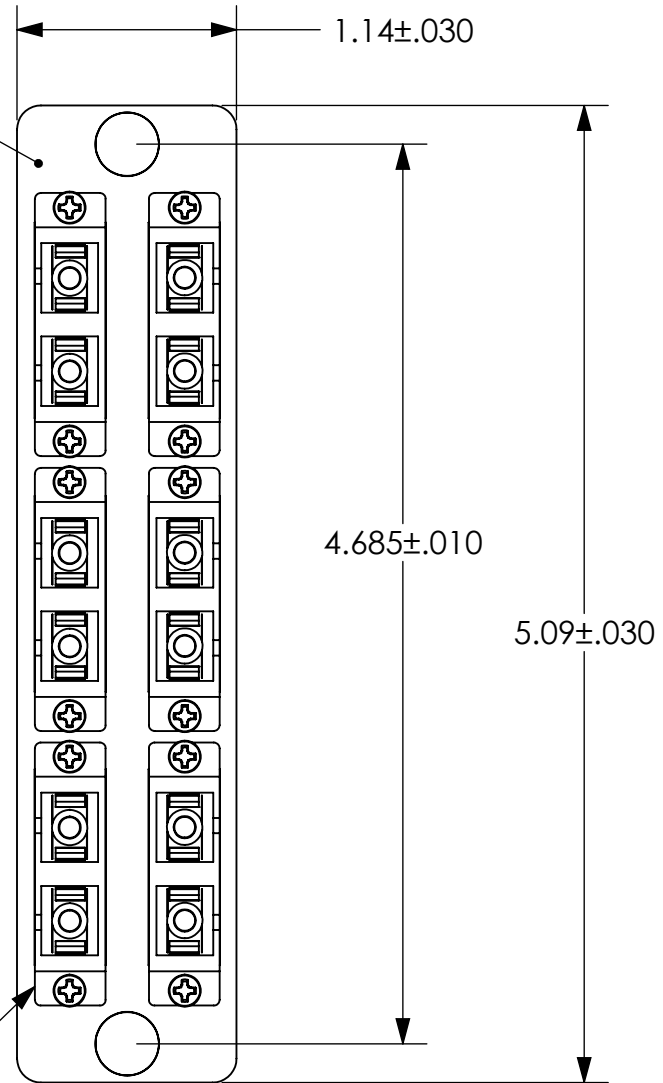


SNAP LOCK MOUNTING FEATURE(2)



ADAPTER PLATE



DUPLEX SC MM/SM ADAPTERS (6)

03

PRODUCT CODE DESCRIPTION

FAP6D\_ X SC

└─ 10G AQUA ADAPTER(AVAILABLE OPTION)

└─ SM(SINGLE MODE); MM(MULTIMODE)

03

INVENTORS

**HellermannTyton®**

ALL PROPRIETARY RIGHTS IN THE SUBJECT MATTER SHOWN ON THIS DRAWING ARE EXCLUSIVE PROPERTY OF HELLERMANN TYTON

name	date	city, state

REVISION

level	by	date	ECN #	part level
03	AAC	04/26/13	012346	-

DIMENSIONS

FOOTER/ANCHORS	units
.xxxx = ±.0005	inches
.xxx = ±.005	
.xx = ±.01	
.x = ±.03	
∠ = ±0.5°	
unless otherwise specified	

PART

number	FAP6D_ X SC	phase	Production
name	FIBER OPTIC ADAPTER PANEL WITH 6 DUPLEX SC MM/SM ADAPTERS		
material	ASSEMBLED		

DRAWING

format	AH	CAD	SW2011	scale	1:1
computer file name	F13001006CST_03		previous drawing number		
drawn	AAC	checked	KAC	approved	
	07/08/2010		04/26/13		
type	Customer		sheet 1 of 1		
number	F13001006CST				