

MICRO SWITCH

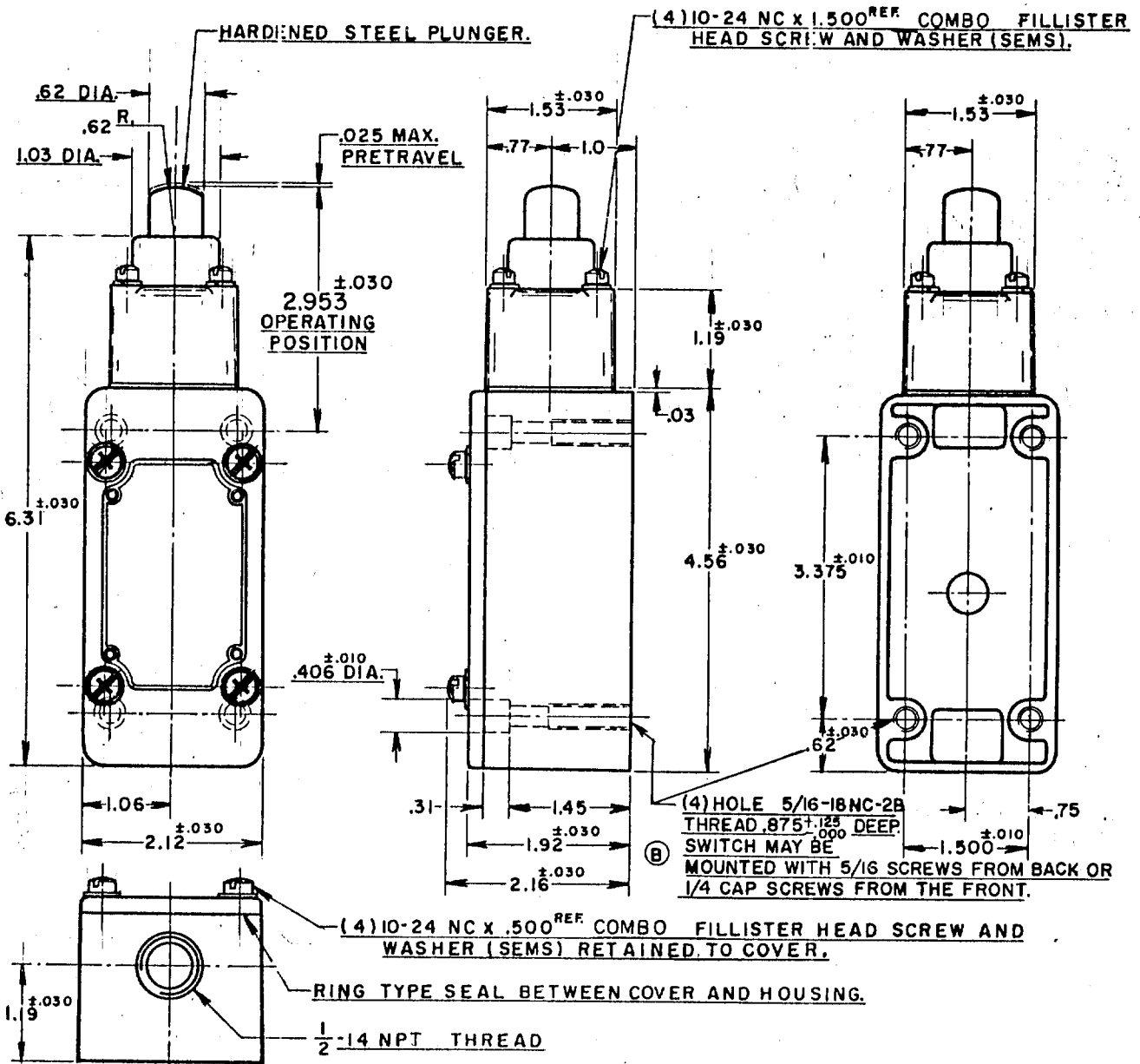
A DIVISION OF MILWAUKEE-HONEYWELL REGULATOR COMPANY
FREEPORT, ILLINOIS

FED. MFR. CODE 91929

SWITCH-ENCLOSED

2ML1 5



(M) 2ML1 ISSUE 5
 REPLACES
 2ML1
 NUMBER
 MI12
 8520
 CT. 56
 11247
 L.B. EB. '58
 12789
 AY '58
 26064
 S JUNE 69
 38549
 R PR 77
 35051-B
 AP
 EC 84
 4287
 W PR 93
 G.C.H. 24 OCT. 56
 CHECK J.U.M. 13 OCT 56
 CHECK C.N.T. 19 OCT 56
 CHECK G.C.H. 24 OCT. 56
 CHECK R.L.Z. 12 OCT. 56
 DRAWN



NOTE -

- 1- IT IS ESSENTIAL TO PREVENT ENTRANCE OF HARMFUL AGENTS THRU THE CONDUIT OPENING TO OBTAIN THE FULL BENEFIT OF THE SEALED CONSTRUCTION PROVIDED IN THIS UNIT.
- 2- SWITCH WILL PERFORM SATISFACTORILY IN TEMPERATURES TO MINUS 30° F.

THIS DRAWING COVERS A PROPRIETARY ITEM AND IS THE PROPERTY OF MICRO SWITCH, A DIVISION OF HONEYWELL. THIS DRAWING IS NOT TO BE COPIED OR USED WITHOUT THE APPROVAL OF MICRO SWITCH.

CHARACTERISTICS (TENTATIVE)		ELECTRICAL DATA		SCALE 1/2 TO 1
OPERATING FORCE ——— 6 LBS. APPROX.	RELEASE FORCE ——— 4 LBS. APPROX.	CONTACT ARRANGEMENT S. P. D. T.	BREAK DISTANCE	DO NOT SCALE PRINT
DIFFERENTIAL TRAVEL ——— .005 MAX.	OVERTRAVEL ——— .500 MIN.	20A-120,240,480 OR 600 VAC; 3/4 HP-120 VAC; 1 1/2 H.P.-240 VAC; 1/2 A-115 VDC; 1/4 A-230 VDC PILOT DUTY RATING: 600 VAC MAX.		UNLESS OTHERWISE SPECIFIED DIMENSIONS ARE IN INCHES TOLERANCES ARE: ONE PLACE (.0) ±.030 TWO PLACE (.00) ±.015 THREE PLACE (.000) ±.008 ANGLES ±
SWITCH-BASIC REPLACEMENT ——— IMKI		 		WEIGHT