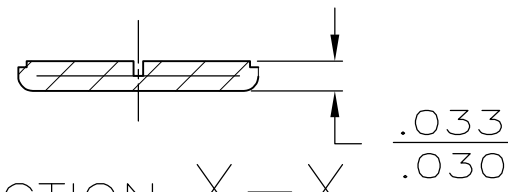
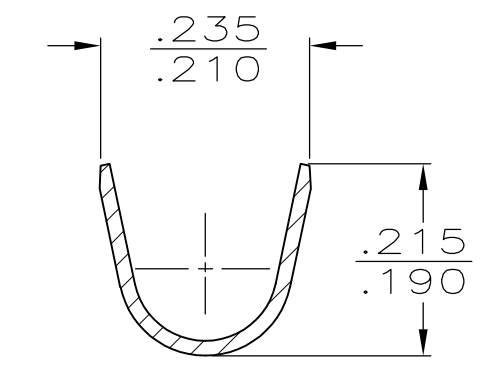
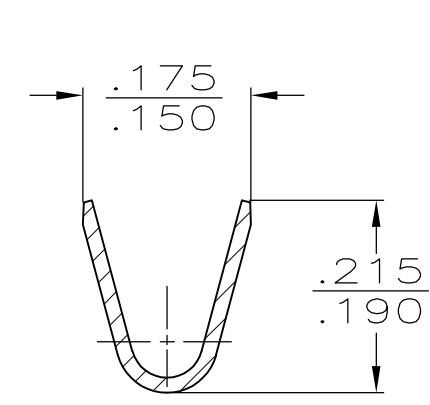
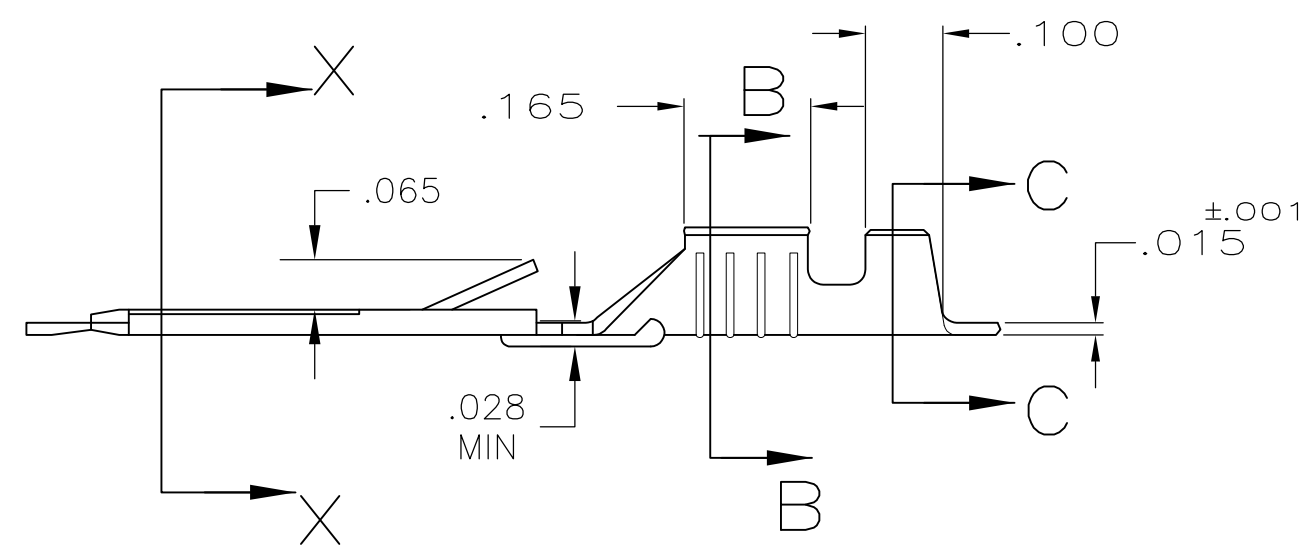
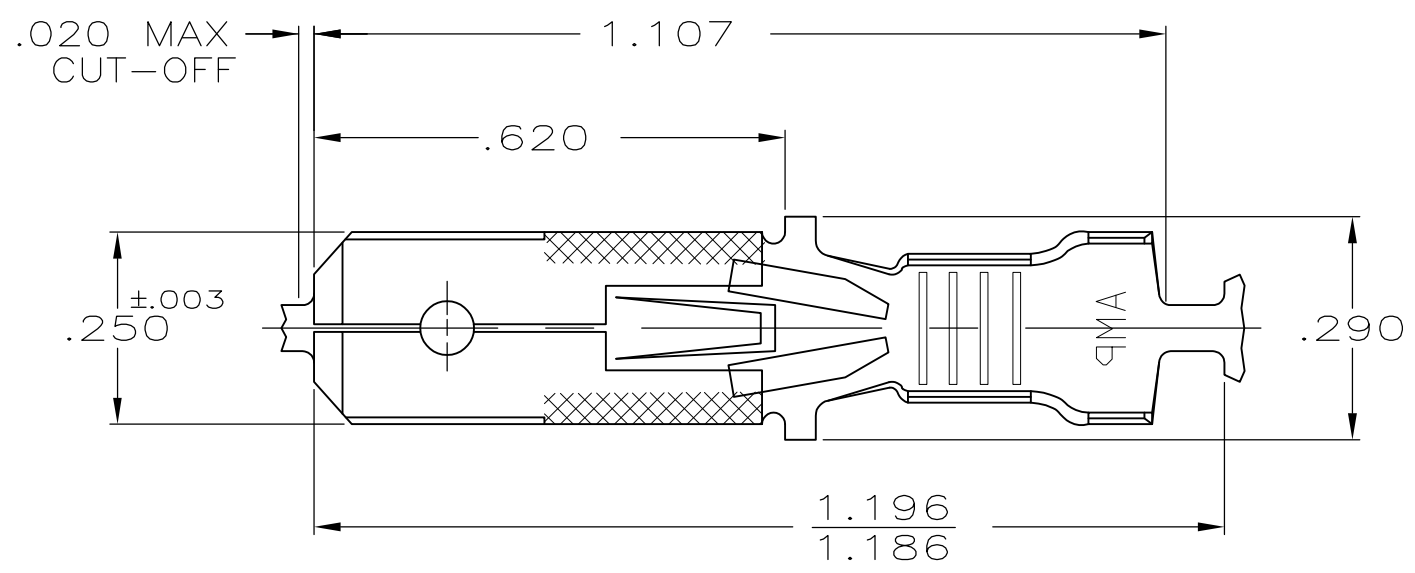


THIS DRAWING IS UNPUBLISHED. RELEASED FOR PUBLICATION
 © COPYRIGHT - By - ALL RIGHTS RESERVED.

LOC	DIST	REVISIONS			
P	LTR	DESCRIPTION	DATE	DWN	APVD
AF	50	V	REVISED PER ECR-11-018063	22DEC11	KH PD



- 1 CONTINUOUS STRIP ON REELS
- 2 WIRE SIZE IS #14-#10 AWG
- 3 INSULATION RANGE IS .120-.170 DIA
- △ 4 FOREIGN PRODUCTION ONLY
- △ 5 .000080 MIN TIN OVER .000100 MIN COPPER UNDERPLATE OR OPTIONAL .000050 MIN NICKEL UNDERPLATE.
- △ 6 PRELIMINARY - NOT FOR PRODUCTION



OBSOLETE	△ 5	△ 6	60701-4
	PRE-TIN	△ 4	60701-3
	-	△ 6	60701-2
	TIN		60701-1
	FINISH		PART NO

THIS DRAWING IS A CONTROLLED DOCUMENT.		DWN	JR RUTH	1/31/91	STE TE Connectivity		
DIMENSIONS: INCHES		CHK	MS FEHER	1/31/91			
TOLERANCES UNLESS OTHERWISE SPECIFIED:		APVD	J GILLESPIE	1/31/91	NAME		
0 PLC ± -		PRODUCT SPEC		TAB, FASTIN-FASTON, .250 SERIES			
1 PLC ± -		APPLICATION SPEC		-			
2 PLC ± -		SIZE	A3	CAGE CODE	00779	DRAWING NO	C-60701
3 PLC ± .015		WEIGHT		RESTRICTED TO		-	
4 PLC ± -		MATERIAL		SCALE		SHEET	
ANGLES ± -		#2H BRASS		4:1		1 OF 1	
FINISH		SEE TABLE		REV		V	