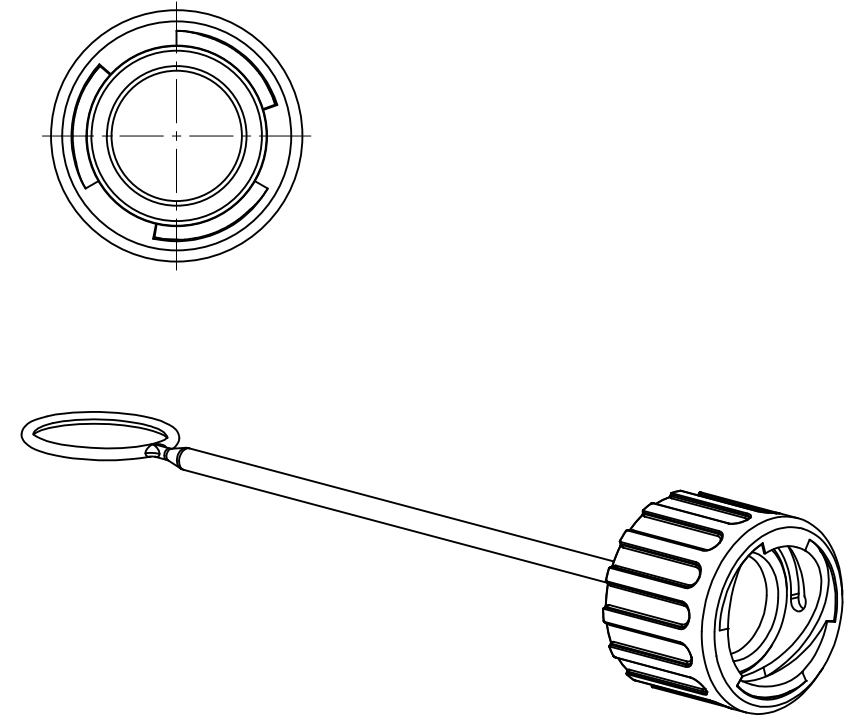
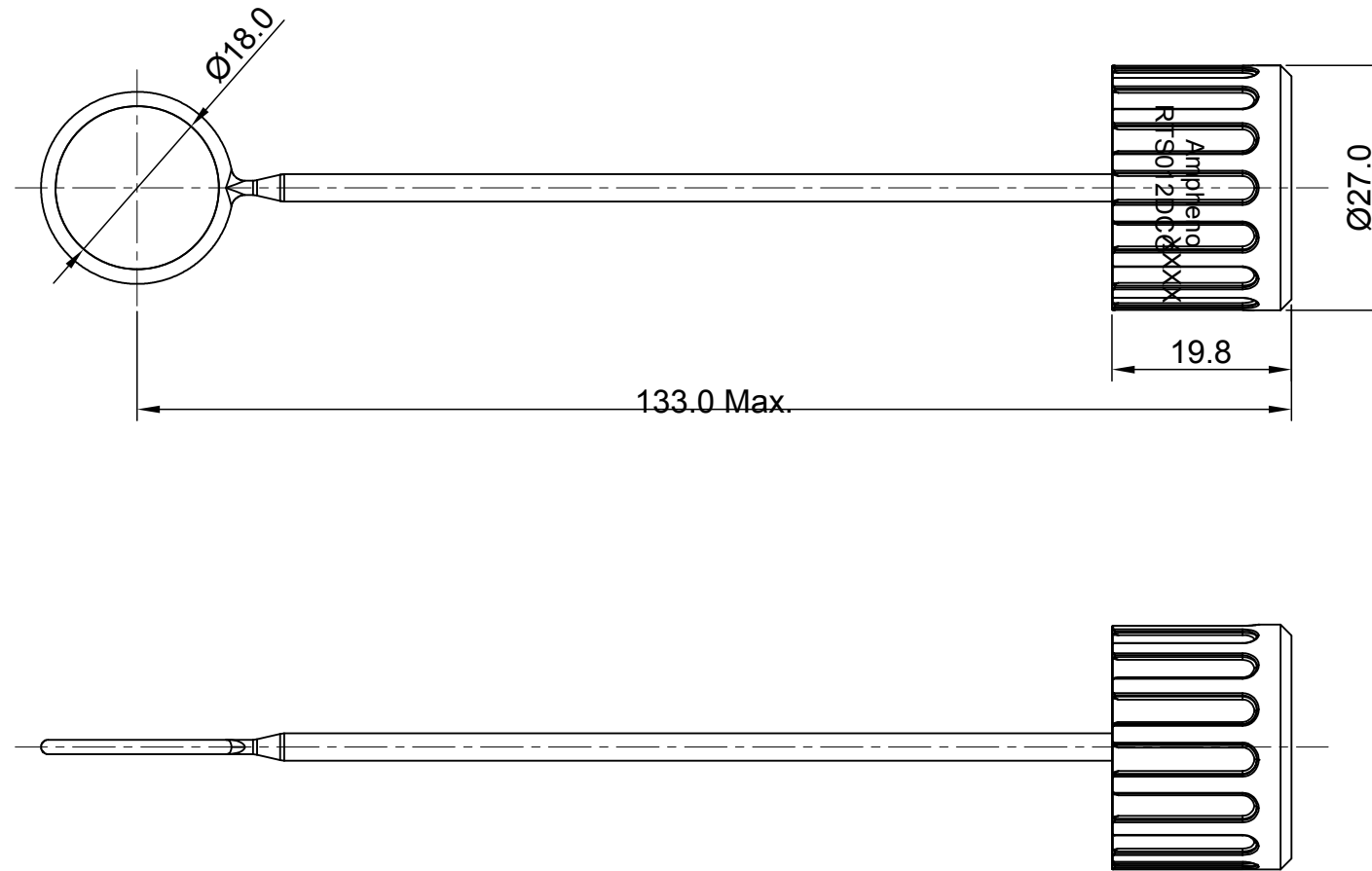


REVISIONS					
REV	ECO	DESCRIPTION	DATE	BY	APPR
A1		FIRST RELEASED	Apr.05,2016	Drack	Tommy



PART NUMBER	
-40°C ~ 105°C	-40°C ~ 125°C
RTS012DCG	RTS012DCG03

NOTES : (UNLESS OTHERWISE SPECIFIED)

- MATERIAL :  
SHELL : THERMOPLASTIC , UL94 V-0.  
SEAL GASKET : NBR OR SR.
- SPECIFICATIONS :  
2.1, OPERATING TEMPERATURE : SEE TABLE.  
2.2, IP-CLASS : IP67.  
2.3, MATING CYCLES DURABILITY : 500 CYCLES MIN.  
2.4, RoHS COMPLIANT.
- ALL DIMENSIONS ARE FOR REFERENCE USE ONLY.

QUANTITY	PART NUMBER	DESCRIPTION	ITEM
<b>MATERIALS LIST</b>			
UNLESS OTHERWISE SPECIFIED		<b>Amphenol</b>	
1) All dimensions are in metric (mm).		DRAWN: Drack DATE: Apr.05,2016	
2) PL DEC ±0.15		CHECKED:	
3) PL DEC ±0.08		ENGINEER:	
3) Note reference = X		APPROVAL:	
MATERIAL SPECIFICATIONS:		CUSTOMER:	
PROCESS SPECIFICATIONS:		THIS DRAWING IS SUPPLIED FOR INFORMATION ONLY. DESIGN FEATURES, SPECIFICATIONS AND PERFORMANCE DATA SHOWN HEREON ARE THE PROPERTY OF THE AMPHENOL CORPORATION. NO RIGHTS OF REPRODUCTION ARE IMPLIED. ALL DIMENSIONS ARE SUBJECT TO NORMAL MANUFACTURING VARIATIONS.	
NEXT ASSY:		SCALE: NONE	
		SINE SYSTEMS - www.amphenol-sine.com 44724 Morley Drive Clinton Township, MI 48036	
		ECO-MATE, DUST CAP, RECEPTACLE SIZE 12	
		SIZE: B TYPE: C- DWG NO: RTS012DCGxx REVISION: A1	
		SHEET 1 OF 1	

TITLE: ECO-MATE DUST CAP RECEPTACLE SIZE 12  
DWG NO: RTS012DCGxx  
REV: A1  
SH: 1  
OF: 1