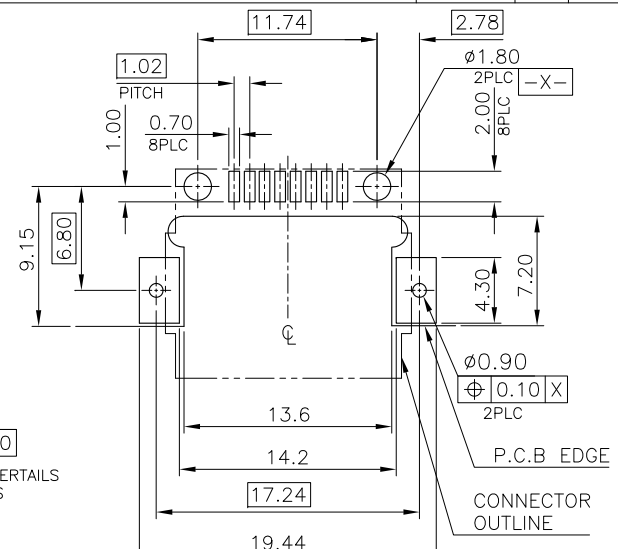
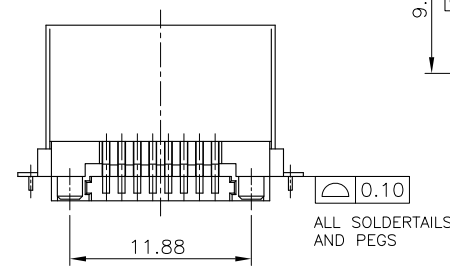
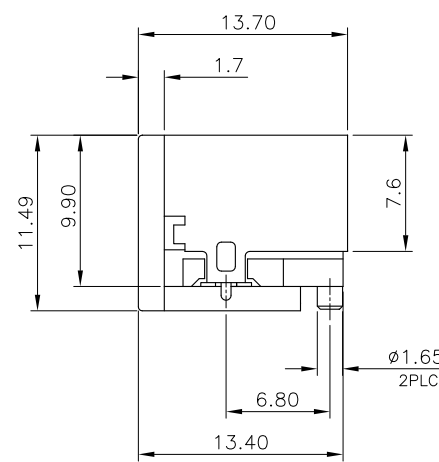
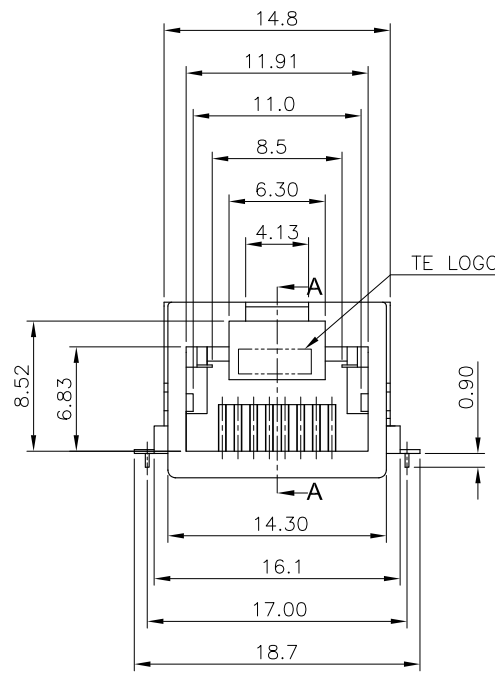
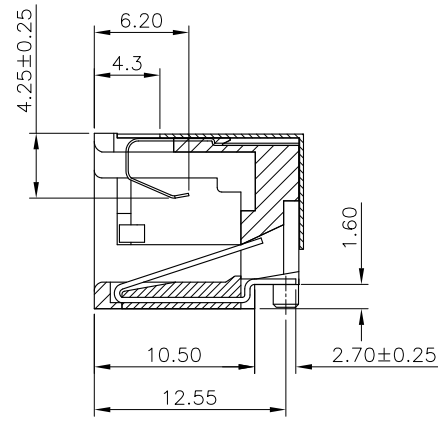
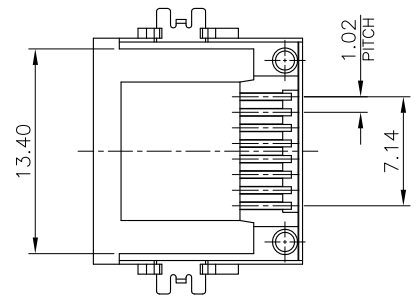


LOC	DIST	REVISIONS					
DW		P	LTR	DESCRIPTION	DATE	DWN	APVD
		B		ECR-12-012115	26OCT12	EL	WK



RECOMMENDED PCB LAYOUT  
 RECOMMENDED PCB THICKNESS: 1.6mm.  
 TOLERANCE: ±0.05 (TOP VIEW)



SECTION A-A

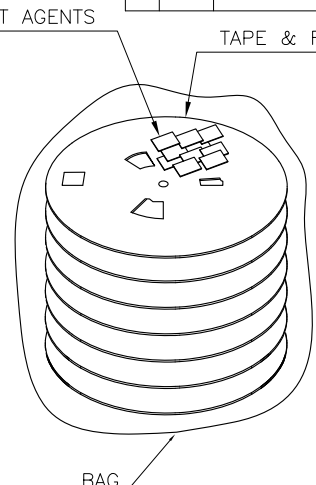
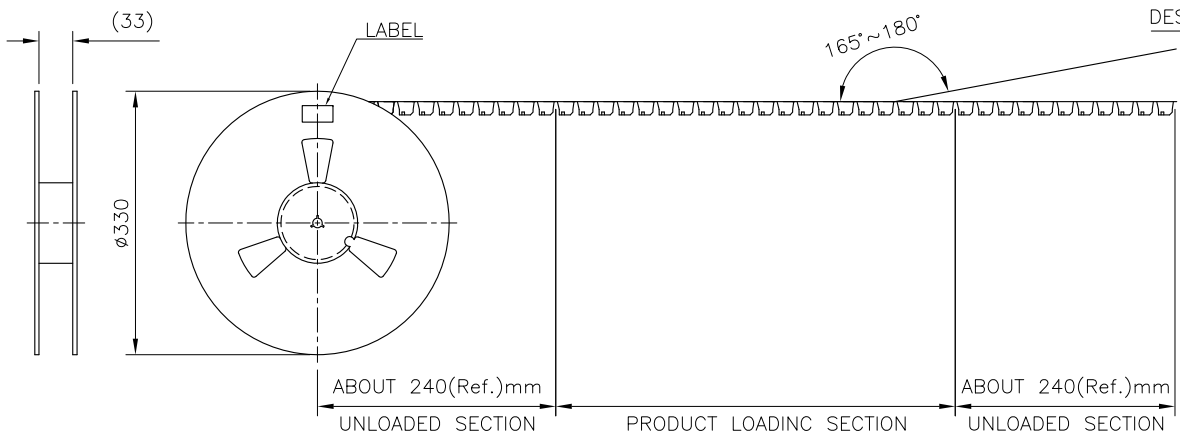
REEL	MOON GRAY	1.27um [50u"]	1-1775399-8
		0.76um [30u"]	1-1775399-7
		0.38um [15u"]	1-1775399-6
		0.15um [6u"]	1-1775399-5
TRAY	MOON GRAY	1.27um [50u"]	1-1775399-4
		0.76um [30u"]	1-1775399-3
		0.38um [15u"]	1-1775399-2
		0.15um [6u"]	1-1775399-1
OBSOLETE	REEL	BLACK	1.27um [50u"]
			1-1775399-8
			0.76um [50u"]
			1-1775399-7
			0.38um [15u"]
			1-1775399-6
			0.15um [6u"]
			1-1775399-5
			1.27um [50u"]
			1-1775399-4
			0.76um [50u"]
			1-1775399-3
			0.38um [15u"]
			1-1775399-2
			0.15um [6u"]
			1-1775399-1
PACKAGE	HSG COLOR	MIN. GOLD THICKNESS	PART NUMBER

- NOTE:
- MATERIAL:
    - HOUSING: PA9T, WITH 30% GF, UL94V-0, COLOR: SEE TABLE.
    - INSERT HOUSING: PA46, WITH 30% GF, UL94V-0, COLOR: SEE TALBE.
    - CONTACTS: PHOSPHOR BRONZE.
    - SPRING: SUS.
    - SHELL: BRASS.
  - FINISH:
    - CONTACTS: (SEE TABLE) GOLD PLATED ON CONTACT AREA, GOLD FLASH ON SOLDER TAIL, 1.27um [50u"] MIN. NICKEL UNDERPLATED OVERALL.
    - SHELL: 0.508um [20u"] MIN. NICKEL PLATED.
  - REFLOW SOLDER CAPABLE TO 245°C PER TEC-109-201, CONDITION A.

THIS DRAWING IS A CONTROLLED DOCUMENT.		DWN	O. HU	09JUN2006	TE Connectivity MODULAR JACK, RJ45, SINGLE RECEPTACLE
DIMENSIONS: mm		CHK	S. HOU	09JUN2006	
TOLERANCES UNLESS OTHERWISE SPECIFIED:		APVD	W.J. KE	09JUN2006	
0 PLC ± - 1 PLC ± 0.3 2 PLC ± 0.2 3 PLC ± 0.15 4 PLC ± - ± 3°		PRODUCT SPEC		NAME	
MATERIAL SEE NOTE		FINISH SEE NOTE		108-57535	SIZE
		WEIGHT		2.66 GRAMS	CAGE CODE
		CUSTOMER DRAWING		A3	DRAWING NO
		SCALE		-	RESTRICTED TO
		SHEET		1 OF 2	REV
				B	

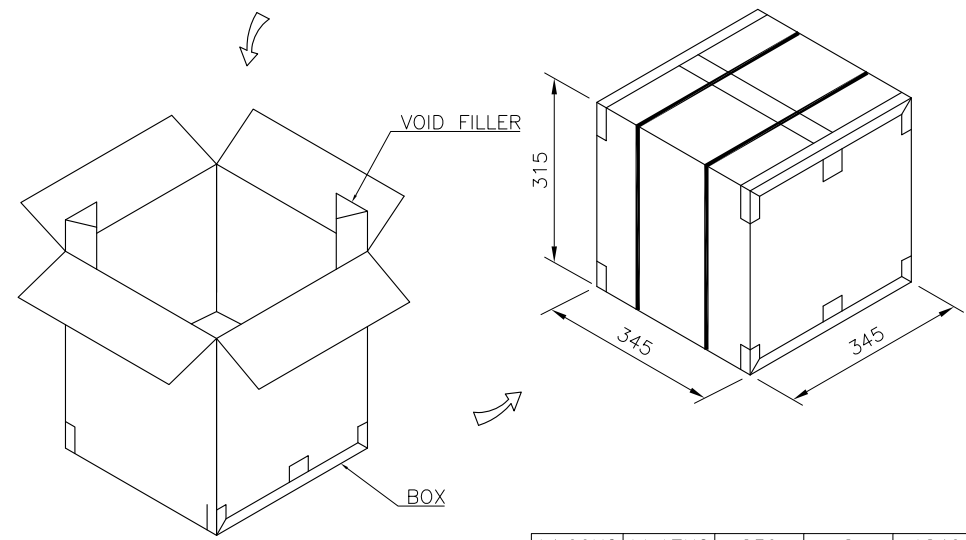
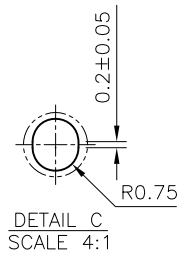
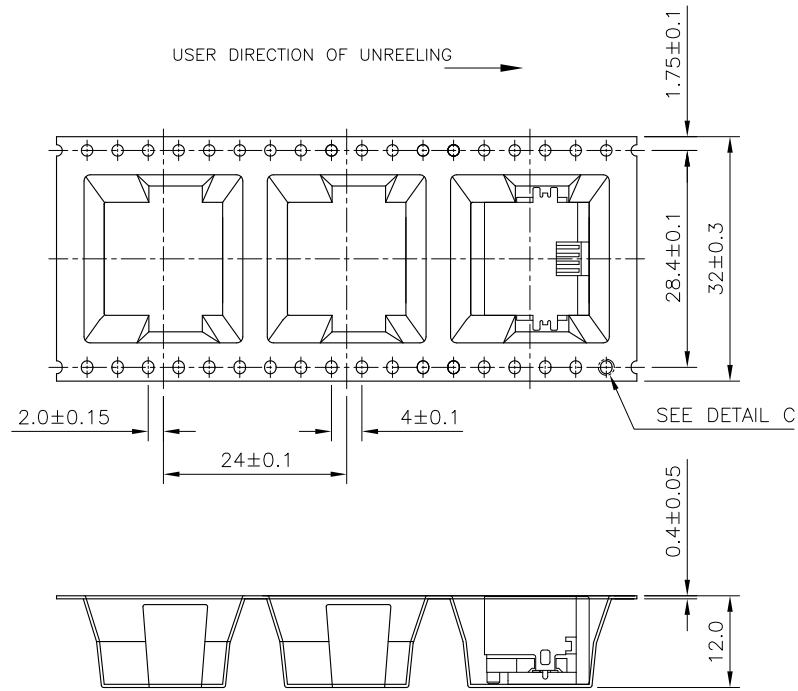
THIS DRAWING IS UNPUBLISHED. RELEASED FOR PUBLICATION  
 © COPYRIGHT 2011 BY TYCO ELECTRONICS CORPORATION. ALL RIGHTS RESERVED.

LOC DW	DIST	REVISIONS			
P	LTR	DESCRIPTION	DATE	DWN	APVD
		SEE SHEET 1.			



- NOTE:
- PACKAGING MATERIAL:
    - COVER TAPE: COMPOSITE OF POLYETHYLENE TEREPHTHALATE (PET)
    - CARRIER: POLYSTYRENE (PS)
    - CARRIER REEL: POLYSTYRENE
    - BAG: PET
    - BOX: CORRUGATED FIBER.
  - EACH BAG SHALL BE INCLUDED:
    - \*DESICCANT
  - PEELING STRENGTH: 0.1~1.3N(1~130 GRAMS) FOR 12~56mm WIDE CARRIER TAPES
  - PEELING SPEED: 300mm/MINUTES.

USER DIRECTION OF UNREELING →



14.00KG	11.17KG	230	8	1840
GROSS WEIGHT	NET WEIGHT	PCS/ REEL	REEL/ BOX	PCS/ BOX

THIS DRAWING IS A CONTROLLED DOCUMENT.		DWN	-		
DIMENSIONS: mm		CHK	-		
TOLERANCES UNLESS OTHERWISE SPECIFIED:		APVD	-		
0 PLC ± -		PRODUCT SPEC	-		
1 PLC ± 0.3		APPLICATION SPEC	-		
2 PLC ± 0.2		WEIGHT	-		
3 PLC ± 0.15		CUSTOMER DRAWING	-		
4 PLC ± -		SCALE	-		
ANGLES ± 3'		SHEET	2 of 2		
MATERIAL		FINISH	-		
-		REV	B		

**STE** TE Connectivity

MODULAR JACK, RJ45, SINGLE RECEPTACLE

SIZE	CAGE CODE	DRAWING NO	RESTRICTED TO
A3	00779	C=1775399	-