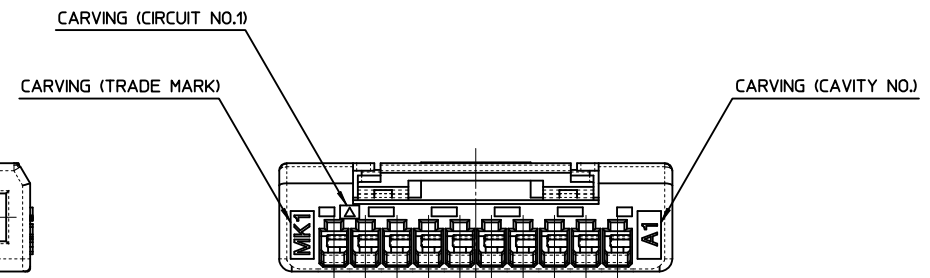
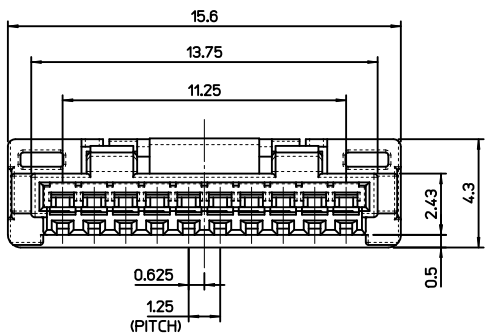
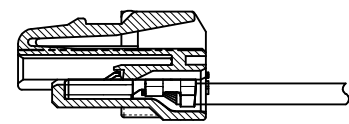


MATED WITH HEADER ASS'Y (REFERENCE)

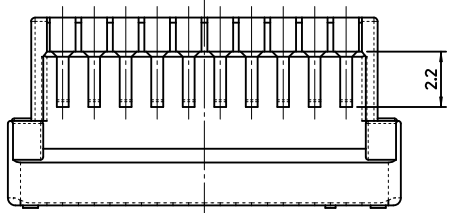
ISOMETRIC VIEW



- NOTE
- MATED WITH : 104099-1017
 - MATERIAL : THERMOPLASTIC, HOLOGEN FREE
UL94V-0, COLOR OF NATURAL
 - APPLICABLE TERMINAL : 502381-0000, 104521-6001



TERMINAL ASSEMBLY (REFERENCE)



<TABLE>

| | |
|---|-------------------------------|
| 1041051000 | NATURAL |
| ORDER NO. | COLOR |
| SCALE 5:1 | DESIGN UNITS METRIC |
| THIRD ANGLE PROJECTION | |
| TITLE 1.25 W/B ST. CONN. 10P HOUSING | |
| MOLEX INCORPORATED | |
| MATERIAL NO. 1041051000 | DOCUMENT NO. SD-104105-001 |
| SIZE A3 | SHEET NO. 1 OF 1 |

| | | | |
|---|---------------------------------------|-------------|------------|
| RELEASED EC NO: KOR2011-0072 DRWN: HTSONG CHKD: SHCHU APPR: YUNSIKKIM | 2011/01/10 | 2011/01/10 | 2011/01/10 |
| | QUALITY SYMBOLS | DESCRIPTION | |
| | | =0 | |
| | | =0 | |
| | GENERAL TOLERANCES (UNLESS SPECIFIED) | | |
| | mm | INCH | |
| 4 PLACES | ± --- | ± --- | |
| 3 PLACES | ± --- | ± --- | |
| 2 PLACES | ± 0.25 | ± --- | |
| 1 PLACE | ± 0.25 | ± --- | |
| ANGULAR ± 1 ° | | | |
| DRAFT WHERE APPLICABLE MUST REMAIN WITHIN DIMENSIONS | | | |
| REV | DATE | | |