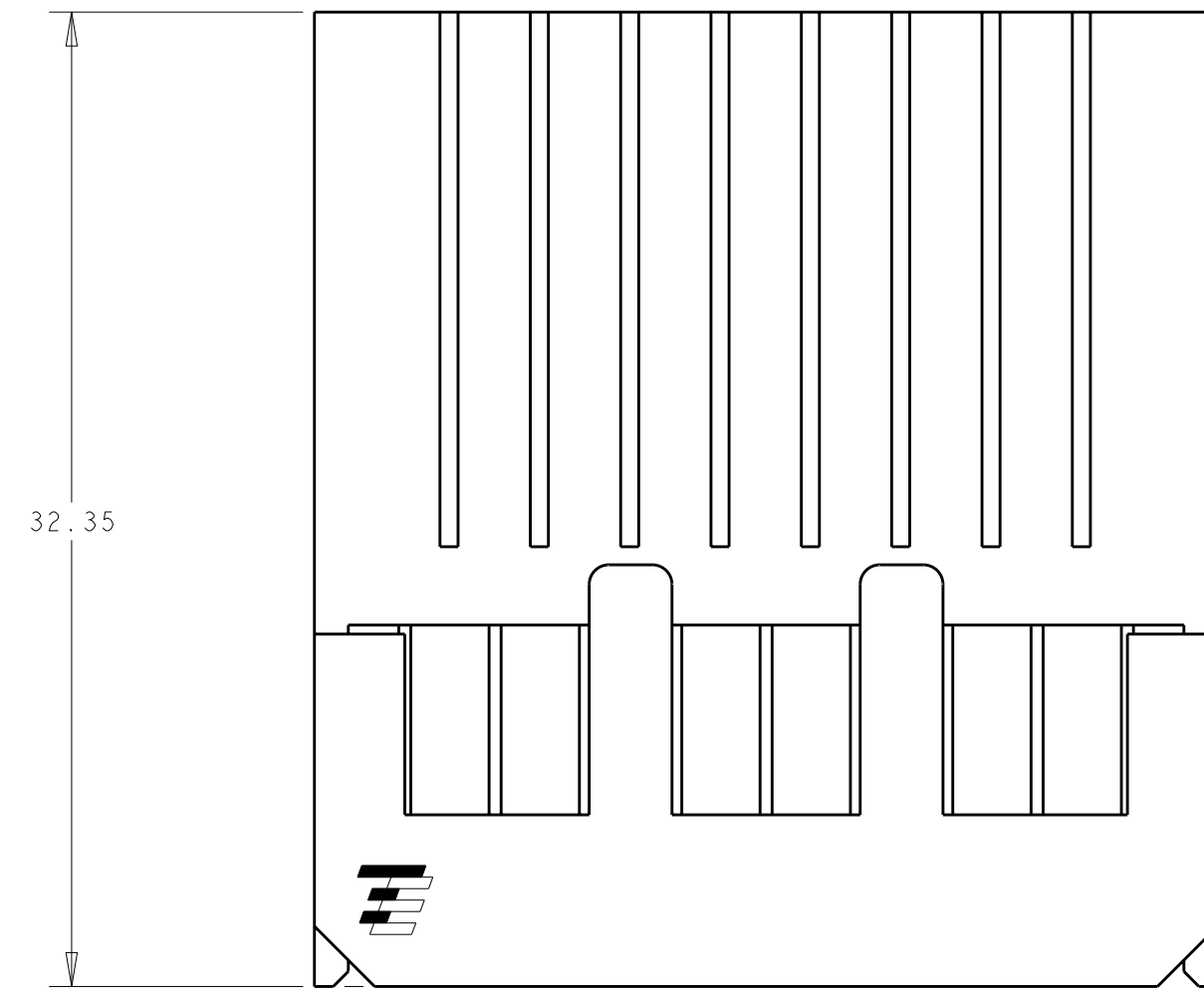
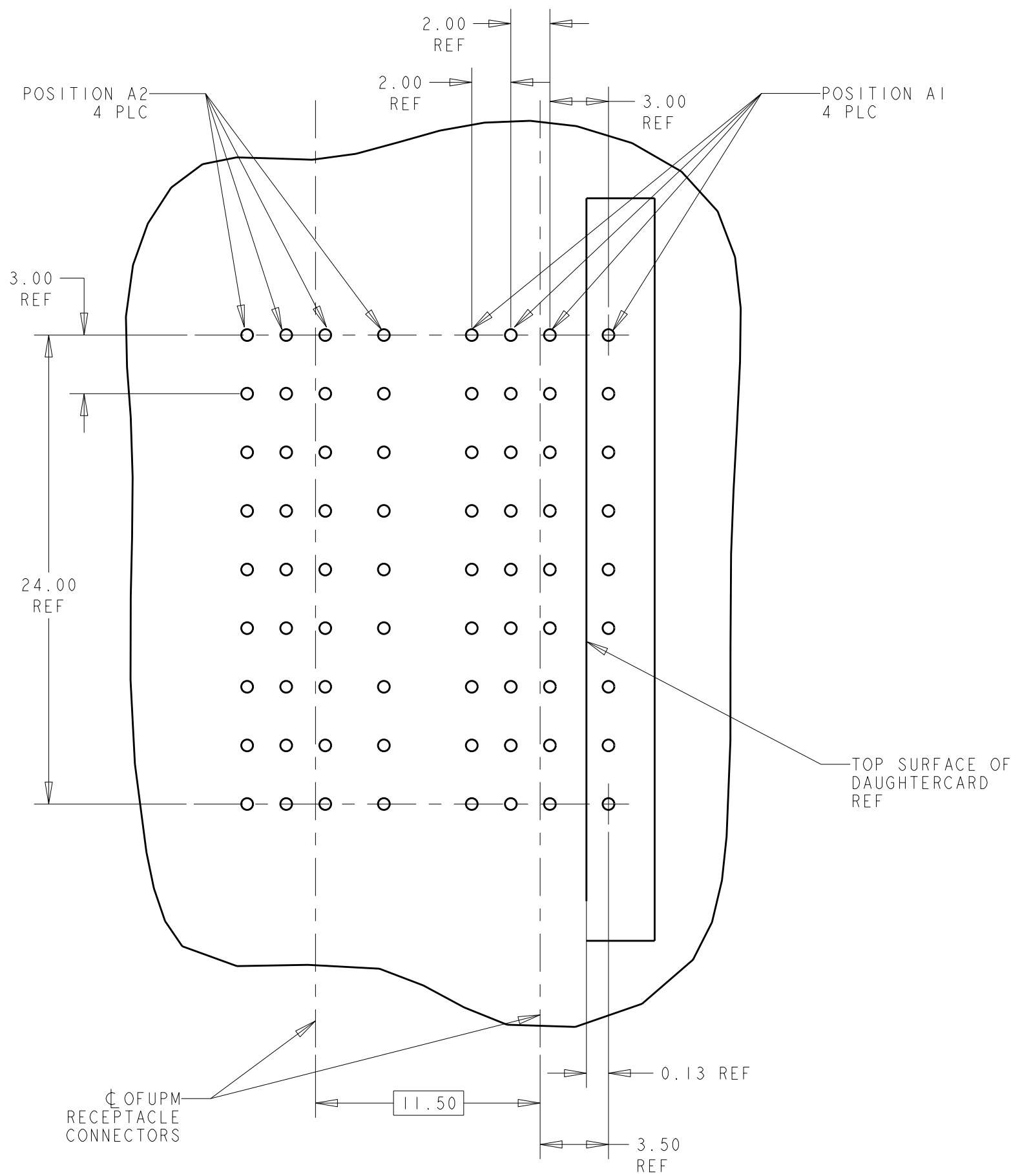
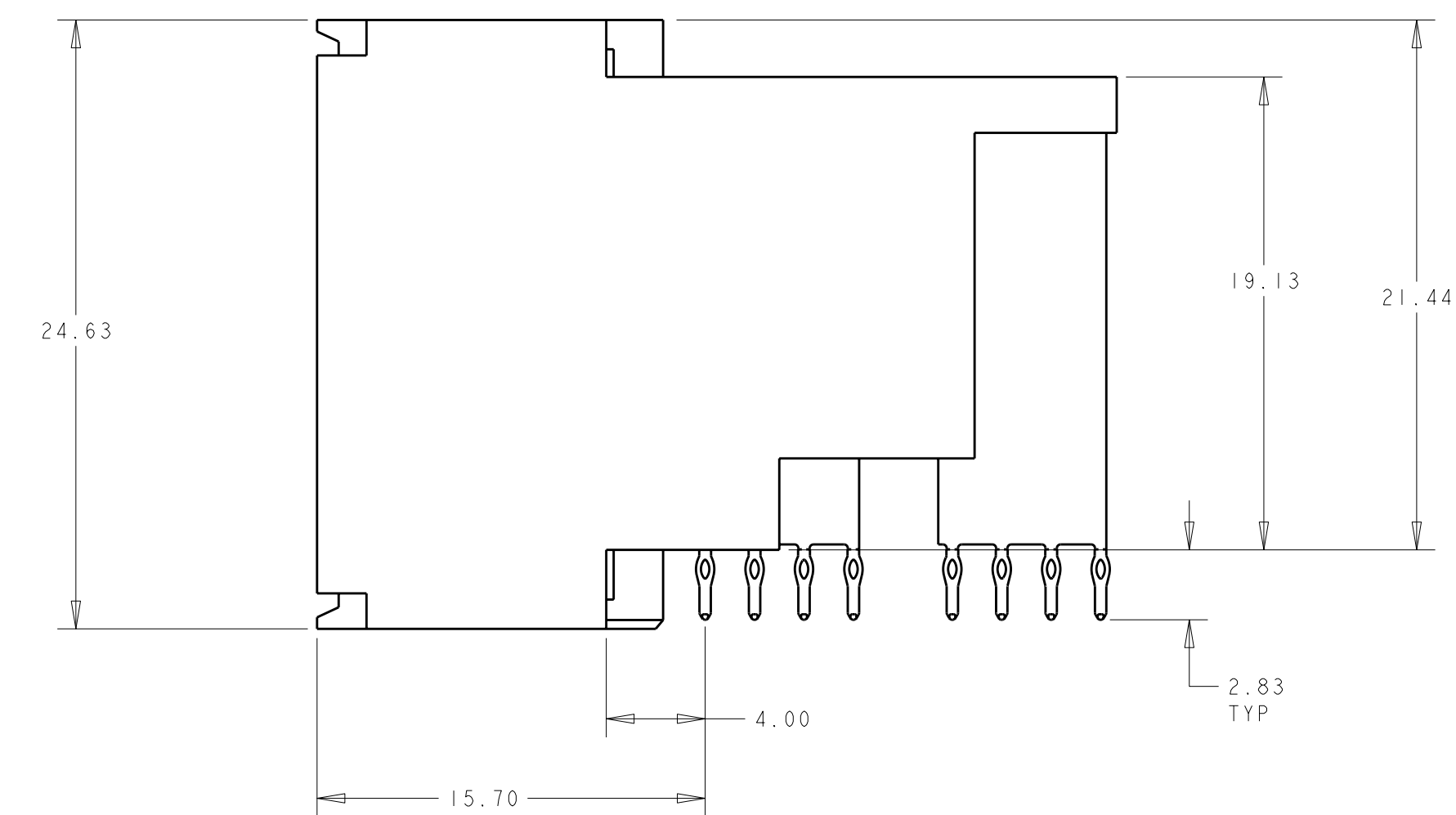
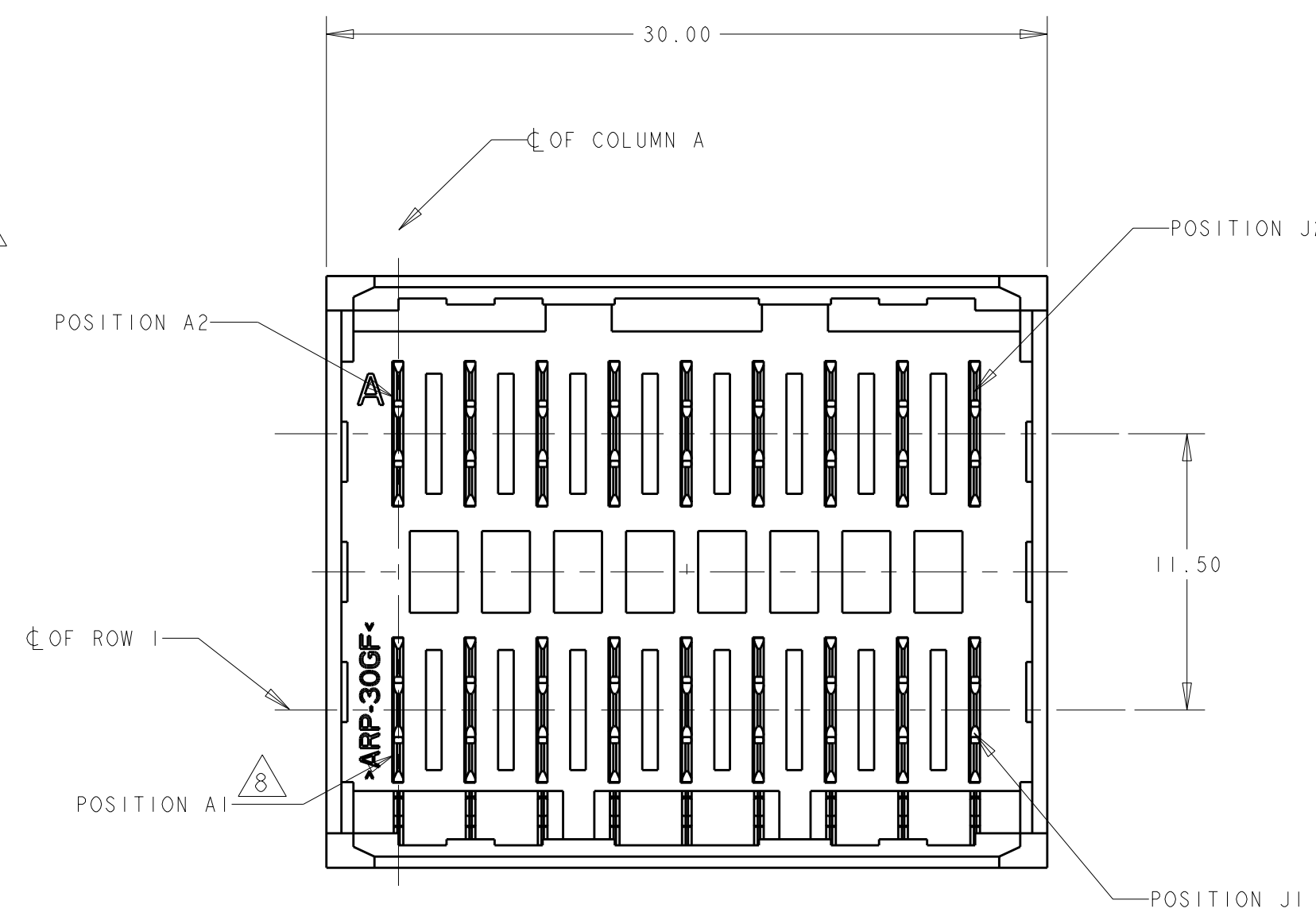
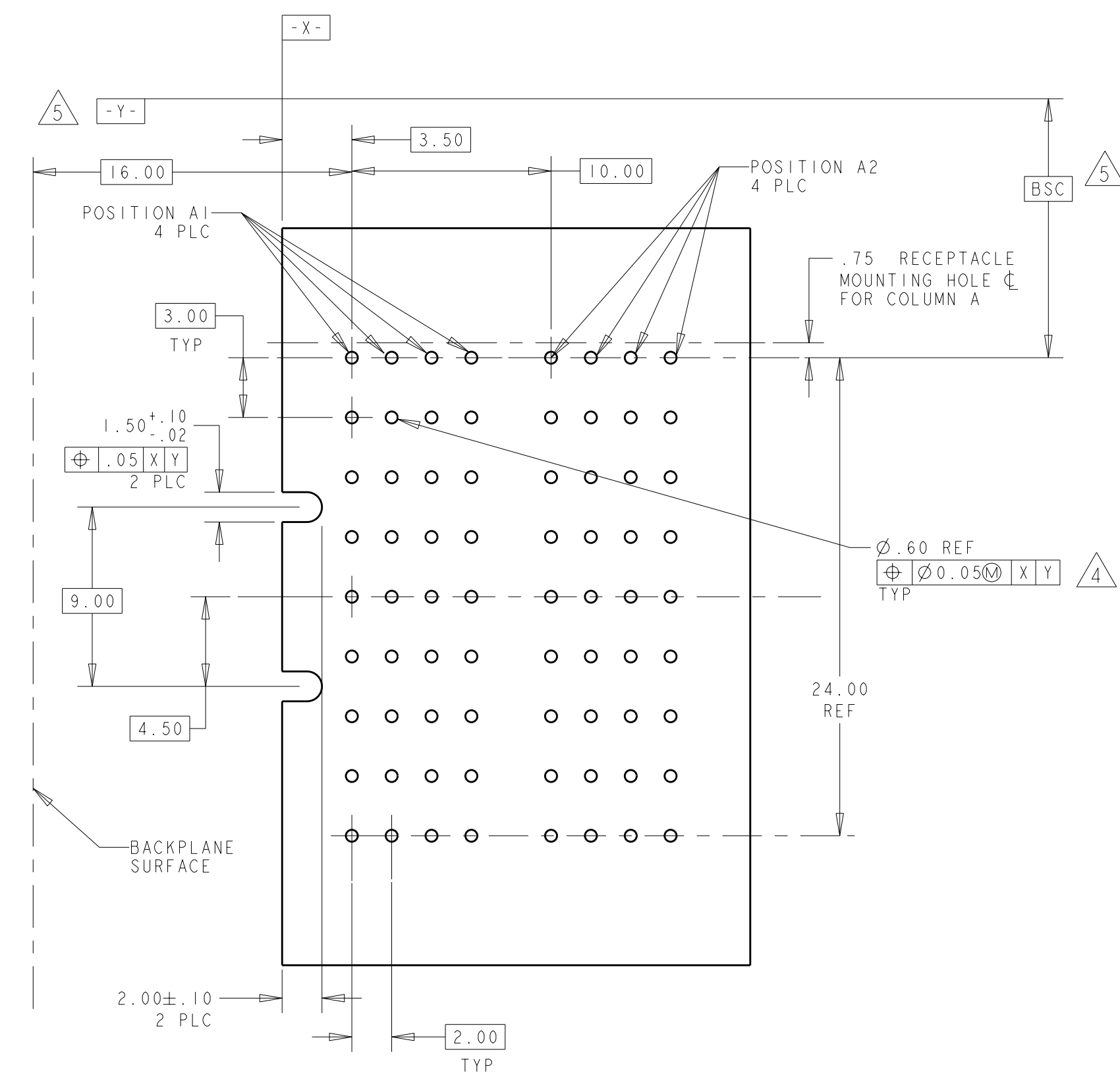
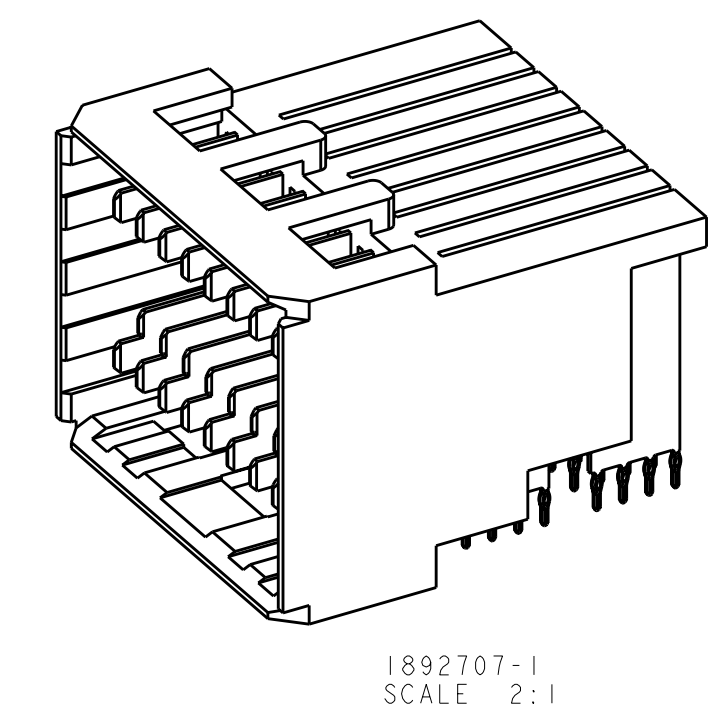
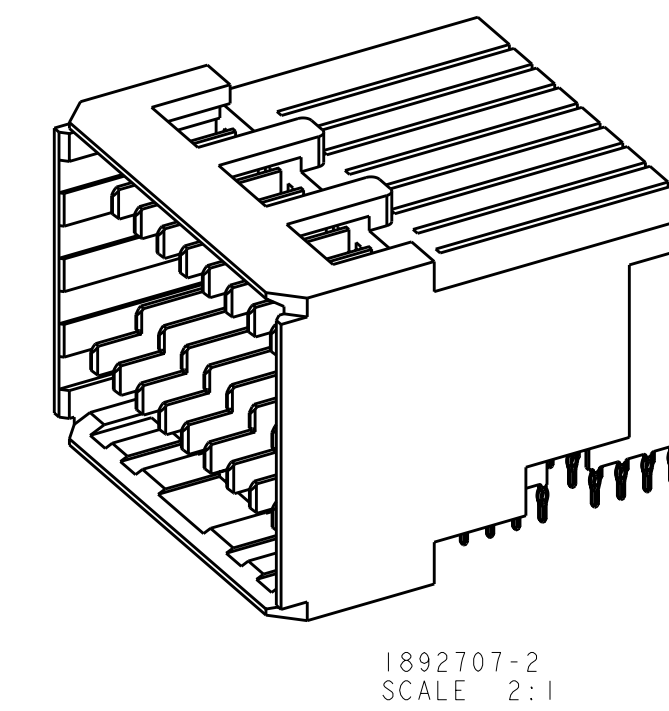


LOC	DIST	REVISIONS					
ES	00	P	LT#	DESCRIPTION	DATE	DWN	APVD
		1		PROPOSAL DRAWING	24JUN2009	OL	SY
		2		REVISED BASE NUMBER	03JULY2009	OL	SY
		A		REV PER ECR-09-015886	15JULY2009	OL	SY

MATING RECEPTACLE PCB LAYOUT 3



- 1 MATERIAL: HOUSING: POLYESTER. COLOR: BLACK, UL 94 V-0  
CONTACT: COPPER ALLOY.
- 2 FINISH: CONTACT MATING AREA: 0.00076 mm MIN GOLD PLATE OVER 0.00127 mm MIN NICKEL, OR 0.0005 mm MIN GOLD OVER 0.00064 mm PALLADIUM-NICKEL OVER 0.00127 mm MIN NICKEL.  
COMPLIANT TAIL AREA: 0.0005 mm MIN MATTE TIN PLATE OVER 0.00127 mm NICKEL UNDERPLATE.
- 3 TAILS OF MATING UPM STYLE RECEPTACLE ARE OFFSET BY .75 mm FROM TAILS OF THIS CONNECTOR. SEE CUSTOMER DRAWING 120992 FOR RECEPTACLE EXAMPLE. SEE APPLICATION SPEC 114-1103 FOR MORE DETAILED DESCRIPTION OF THE TAIL OFFSETS.
- 4 PC BOARD HOLE SPECIFICATIONS:  
 DRILLED HOLE SIZE: 0.700±0.02 mm  
 FINISHED HOLE SIZE: 0.60±0.05 mm  
 PLATING THICKNESS:  
 0.025 - 0.050 mm COPPER  
 0.004 - 0.010 mm HASL TIN  
 0.0005 mm MIN IMMERSION TIN  
 0.0002 - 0.0005 mm OSP  
 0.0001mm MIN IMMERSION SILVER  
 0.0001-0.0005 mm IMMERSION GOLD OVER 0.004-0.005 mm NICKEL
- 5 DATUM AND BASIC DIMENSIONS ESTABLISHED BY CUSTOMER.
- 6 MINIMUM REQUIRED PC BOARD THICKNESS IS 1.44mm.
- 7 CONTACT AREA LUBRICATED WITH BELLCORE APPROVED LUBRICANT. TECHNICAL REFERENCE GR-12178- CORE, ISSUE 1 NOVEMBER 1995.
- 8 POSITION A1 IS AT MATERIAL ID.



RECOMMENDED PCB LAYOUT 6

A1, B1, C1, D1, E1, F1, G1, H1, J1	A2, B2, C2, D2, E2, F2, G2, H2, J2	1892717-2
ALL		1892717-1
LONG PIN LOCATION	SHORT PIN LOCATION	PART NO

DIMENSIONS: mm 9 PLC ±.25 8 PLC ±.25 5 PLC ±.25 4 PLC ±.25 ANGLES ±1°		TOLERANCES UNLESS OTHERWISE SPECIFIED: FINISH <span style="border: 1px solid black; padding: 2px;">2</span>		DWN ORANDO LI 24JUN2009 CBY SUNY ZHAO 24JUN2009 APVD STEVEN YAO 24JUN2009 NAME ASSEMBLY, RIGHT ANGLE HEADER MINIPAK HDE 2X9 POSITION PRODUCT SPEC 108-2289 APPLICATION SPEC WEIGHT CUSTOMER DRAWING		Tyco Electronics Shanghai, P.R.China. 200233 SCALE 5:1 SHEET 1 OF 1 REV A	
---	--	--	--	--	--	---	--