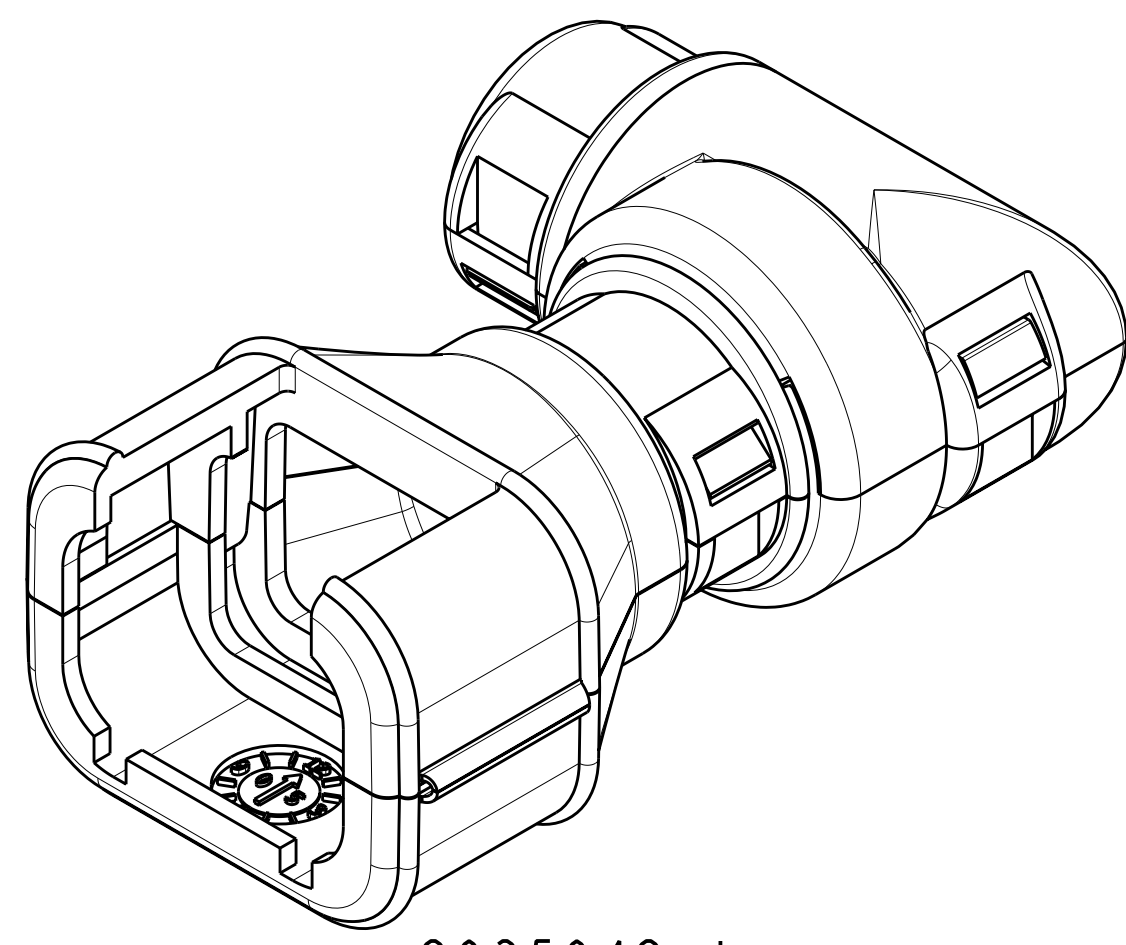
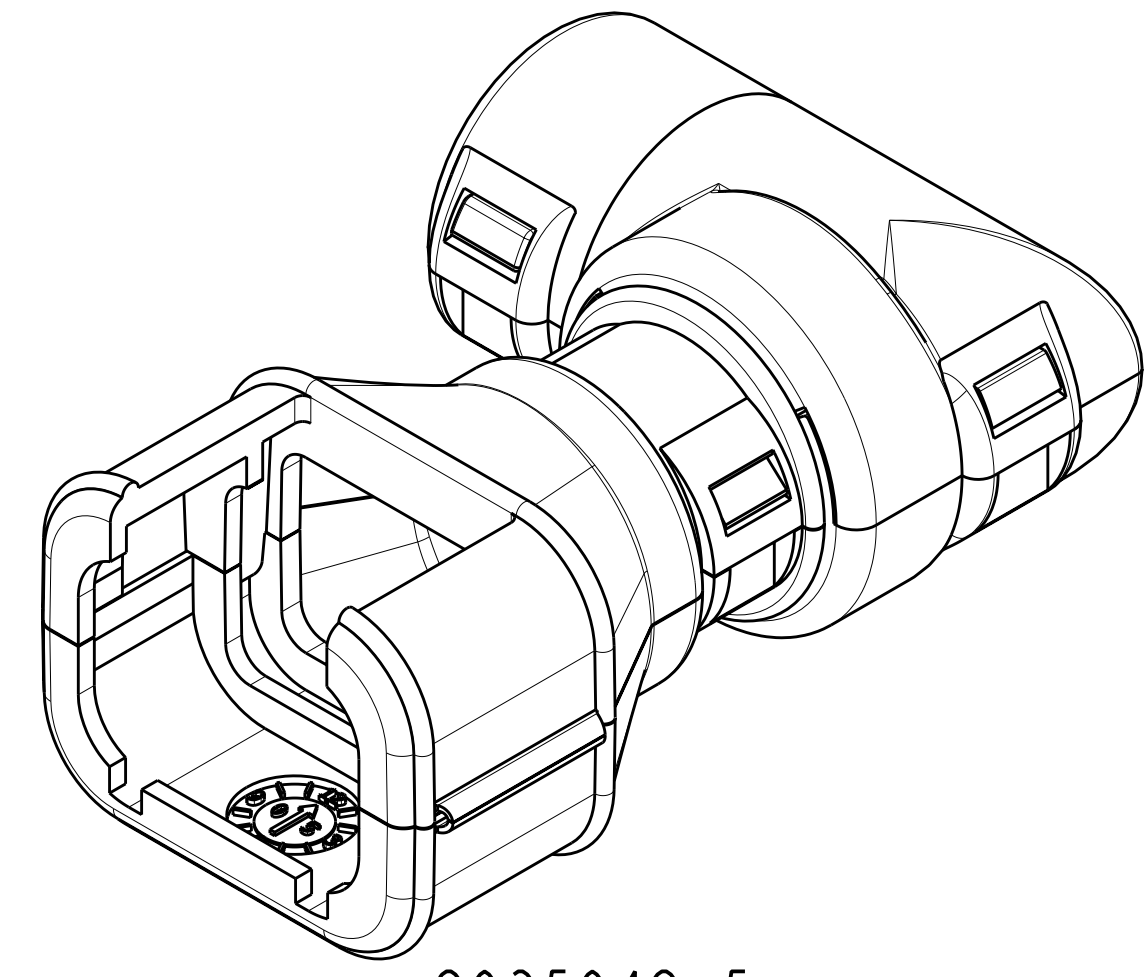


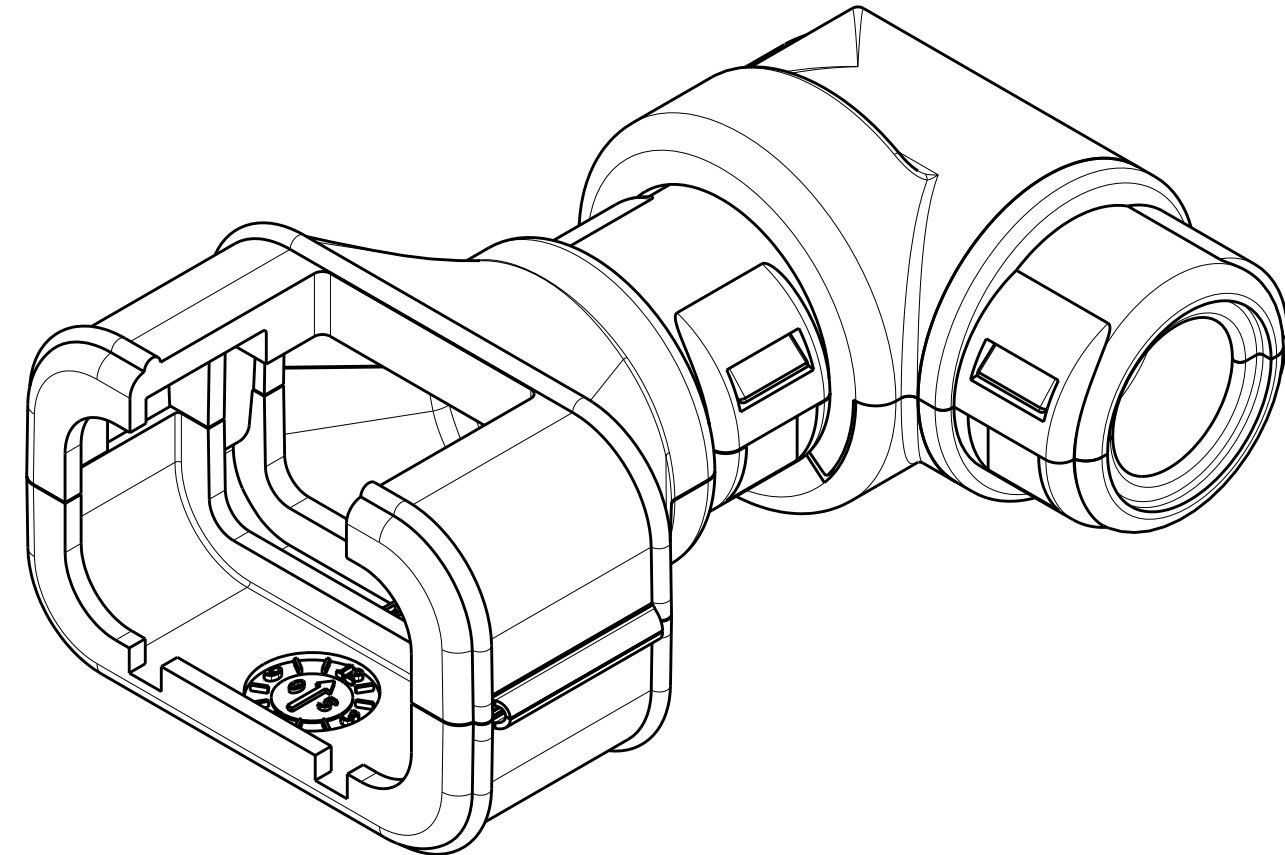
LOC	DIST	REVISIONS			
P	LTN	DESCRIPTION	DATE	DWN	APVD
B		REVISED PER ECO-09-009390	16APR2009	DD	RB
C		REVISED PER ECO-11-017736	30SEP2011	DD	RB



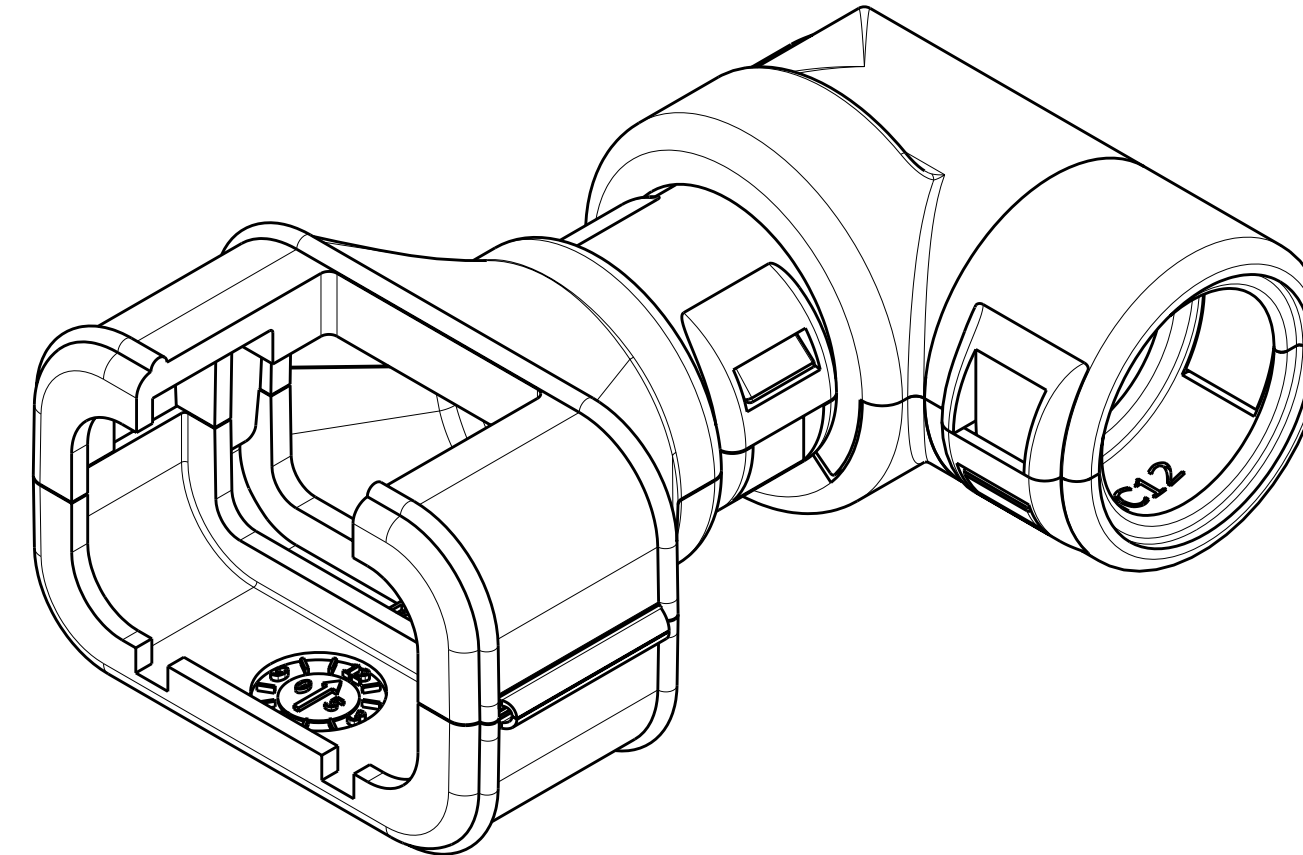
2035048-1
SCALE 3:1



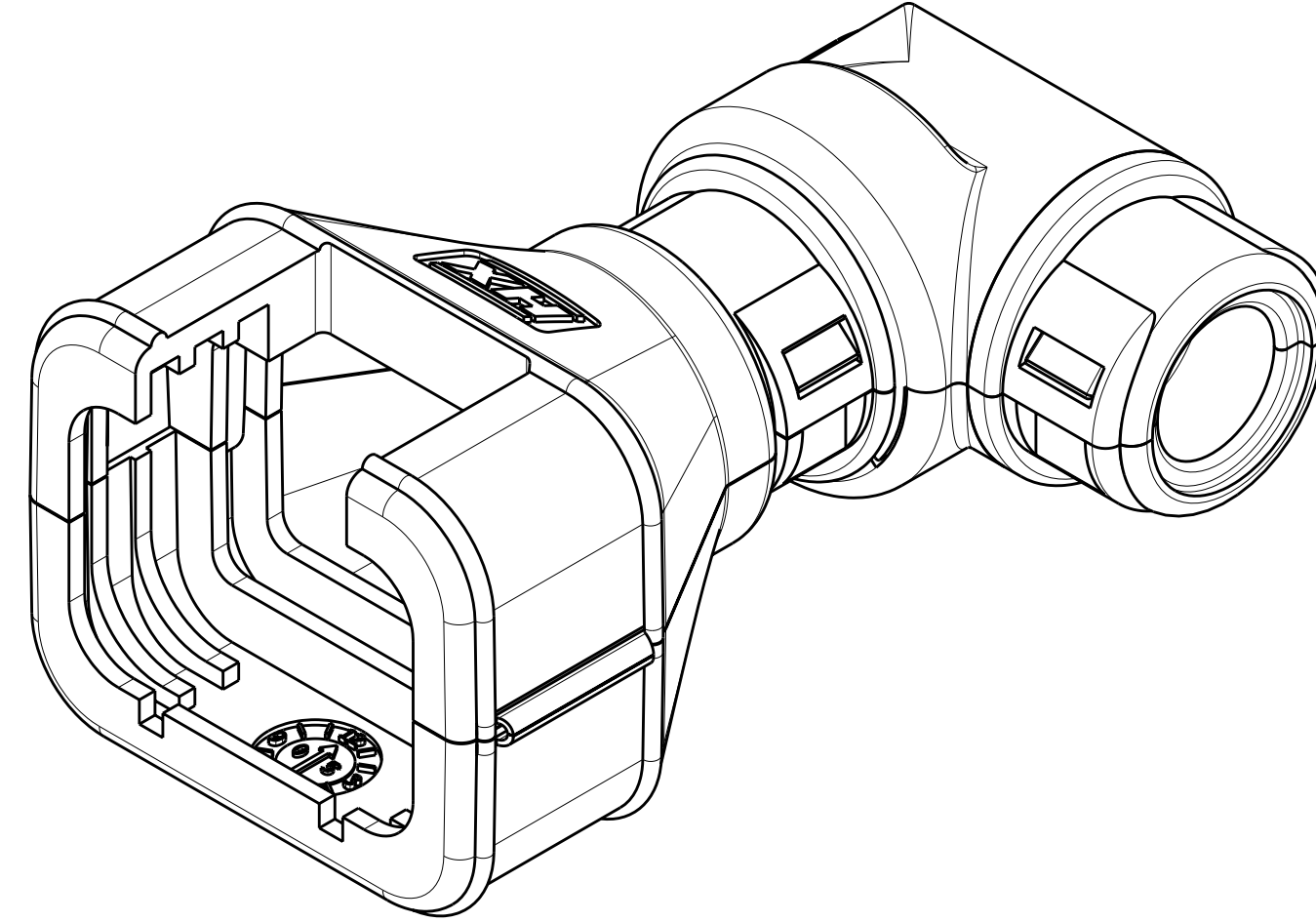
2035048-5
SCALE 3:1



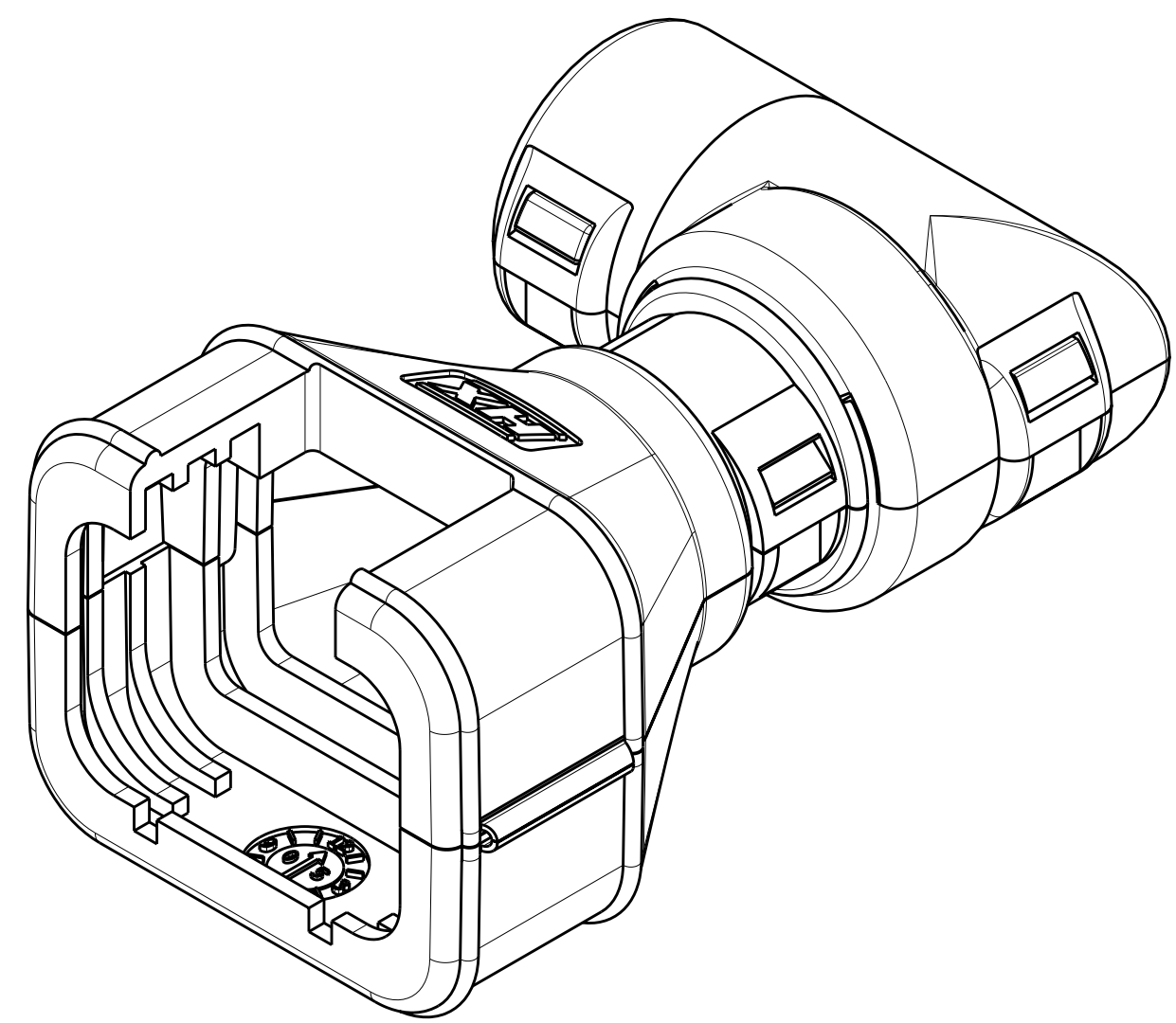
2035048-2
SCALE 3:1



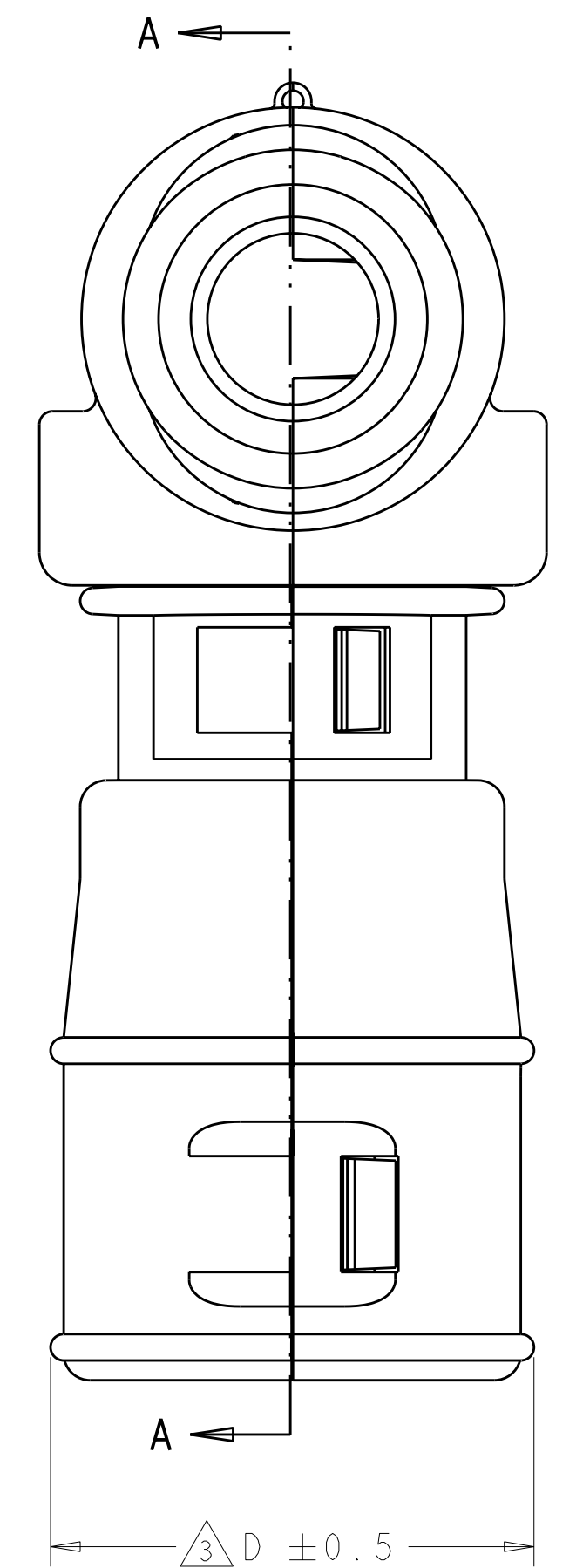
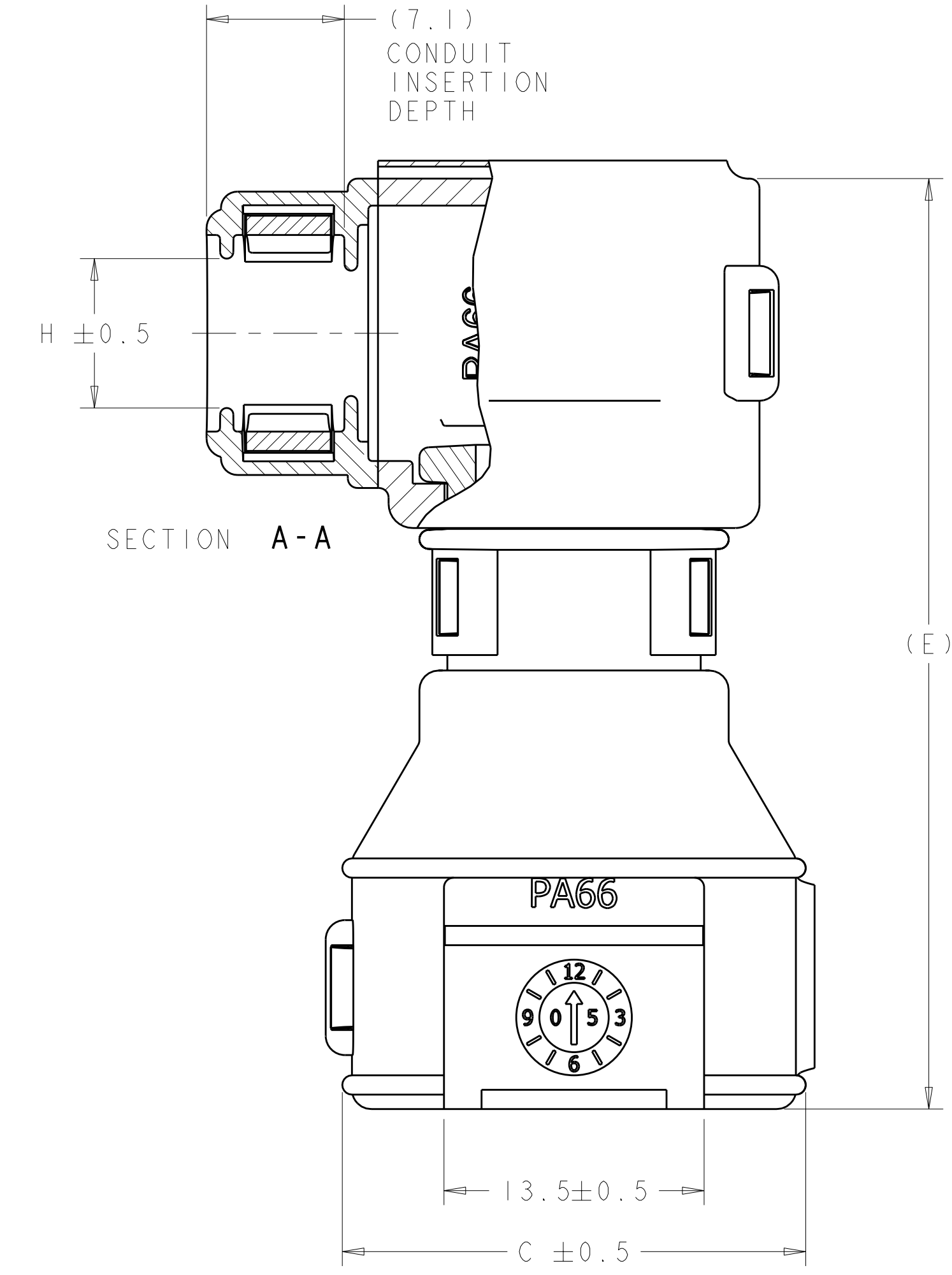
2035048-6
SCALE 3:1



2035048-3
SCALE 3:1



2035048-7
SCALE 3:1



- ⚠ BACKSHELL IS NOT CURRENTLY TOOLED FOR PRODUCTION.
- 2. ELBOW DESIGN ALLOWS FOR 360° EXIT ROTATION.
- ⚠ DIMENSION TO BE MEASURED WHEN THE COVER IS CLOSED.

TE PART NUMBER	ASSY POSN	NOMINAL CONDUIT SIZE		NOMINAL DIMENSIONS			
		NC	NW	C	D	(E)	H
2035048-1	2	08	7.5	23.9	18.3	48.3	7.8
2035048-2	3	08	7.5	28.5	18.3	48.3	7.8
2035048-3	4	08	7.5	29.1	23.6	52.3	7.8
2035048-4	6	⚠ NOT CURRENTLY TOOLED					
2035048-5	2	12	10	23.9	18.3	48.3	11.0
2035048-6	3	12	10	28.5	18.3	48.3	11.0
2035048-7	4	12	10	29.1	23.6	52.3	11.0
2035048-8	6	⚠ NOT CURRENTLY TOOLED					
2035048-9	8	⚠ NOT CURRENTLY TOOLED					

THIS DRAWING IS A CONTROLLED DOCUMENT.

DIMENSIONS: mm

TOLERANCES UNLESS OTHERWISE SPECIFIED:

9 PLC	±	
1 PLC	±0.5	
2 PLC	±	
3 PLC	±	
4 PLC	±	
ANGLES	±	
FINISH		

MATERIAL: NYLON 6/6

APPROVALS:

DWN	J. MARKEY	28MAR2008
CHK	J. MARKEY	28MAR2008
APVD	J. MARKEY	28MAR2008

NAME: BACKSHELL, AMPSEAL 16, 90 DEGREE EXIT

PRODUCT SPEC: -

APPLICATION SPEC: -

WEIGHT: -

CUSTOMER DRAWING

SCALE: 4:1

SHEET 1 OF 1

REV C