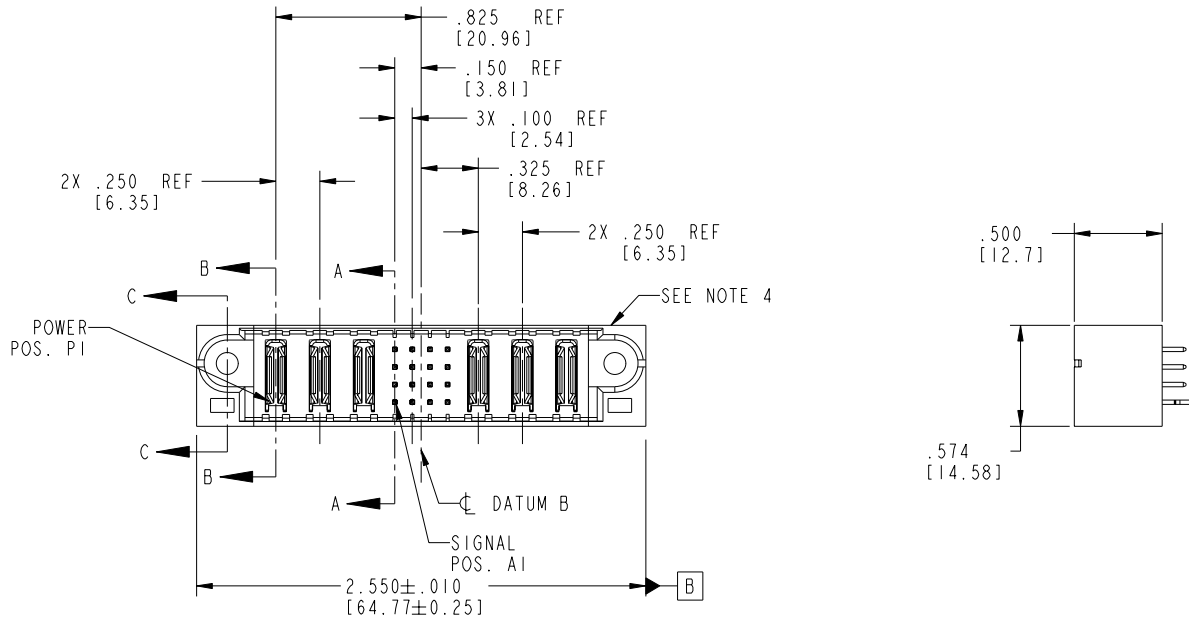


Tous droits strictement réservés. Reproduction ou communication à des tiers interdite sous quelque forme que ce soit sans autorisation écrite du propriétaire. Propriété de c FCI. Droits de reproduction FCI.

All rights strictly reserved. Reproduction or issue to third parties in any form whatever is not permitted without written authority from the proprietor. Property of FCI. Copyright FCI.

PRODUCT NO.	ROWS	POWER			SIGNAL				POWER			E2	
		E1	P1	P2	P3	1	2	3	4	P4	P5		P6
51710-014	D C B A												
Note: ③													



CODE	DIM "M" MATING LENGTH	CONTACT TYPE
PA	N/A [N/A]	POWER
E	.270 [6.86]	SIGNAL
HA	N/A [N/A]	HOLD-DOWN
H	.220 [5.59]	SIGNAL

mat'l code				SEE NOTE 2		tolerances unless otherwise specified		CUSTOMER		 www.fciconnect.com	
ltr	ecn no.	dr	date	linear	.XX±.01/0.X±0.3	projection		COPY		title	
A	DG05-0147	SJ	6/7/05		.XXX±.005/0.XX±0.13					3P + 16S + 3P	
B	DG05-0255	SW	07/28/05		.XXX±.0020/0.XX±0.051			INCH/MM		product family	
C	DG06-0011	CS	01/09/06	angles	0°±2°	scale		1:1		PwrBlade	
		dr	CSHENG	6/7/05			size		A		code
		enr	STEVEN WANG	6/7/05			dwg no		51710-014		213
		chr	VICTOR LIN	6/7/05			sheet		1 of 4		
		appd	JOSEPH HSIA	6/7/05			cage code		22526		4
sheet index	revision	C	C	C	C						
	sheet	1	2	3	4						

Pro/E

PDM: Rev:C

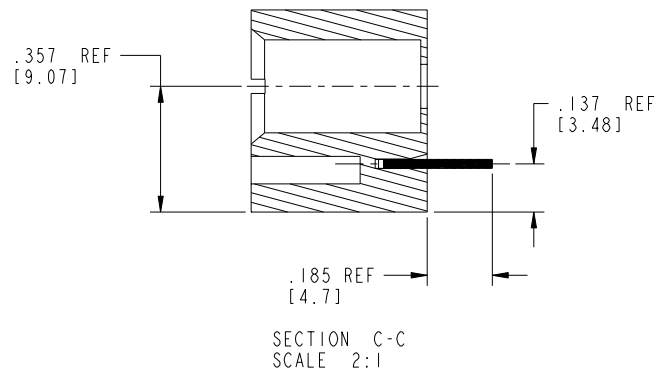
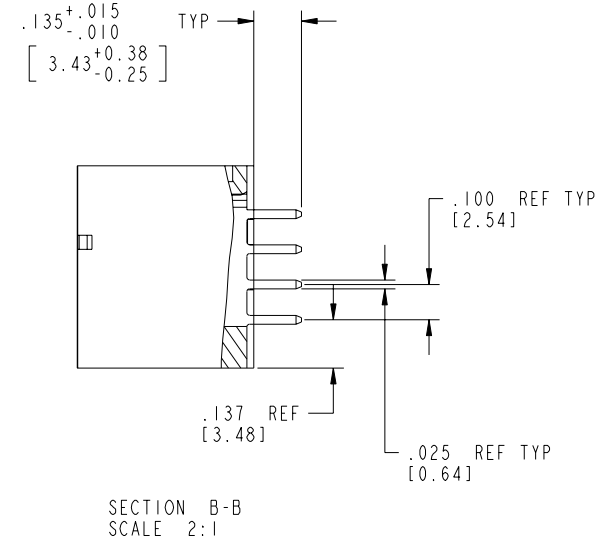
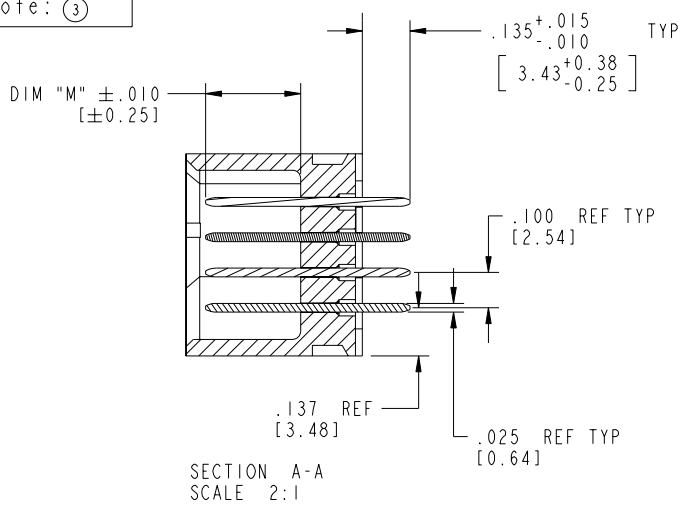
STATUS Released

Printed: Oct 08, 2006

Tous droits strictement réservés. Reproduction ou communication à des tiers interdite sous quelque forme que ce soit sans autorisation écrite du propriétaire. Propriété de FCI. Droits de reproduction FCI.

All rights strictly reserved. Reproduction or issue to third parties in any form whatever is not permitted without written authority from the proprietor. Property of FCI. Copyright FCI.

PRODUCT NUMBER
51710-014__
Note: ③



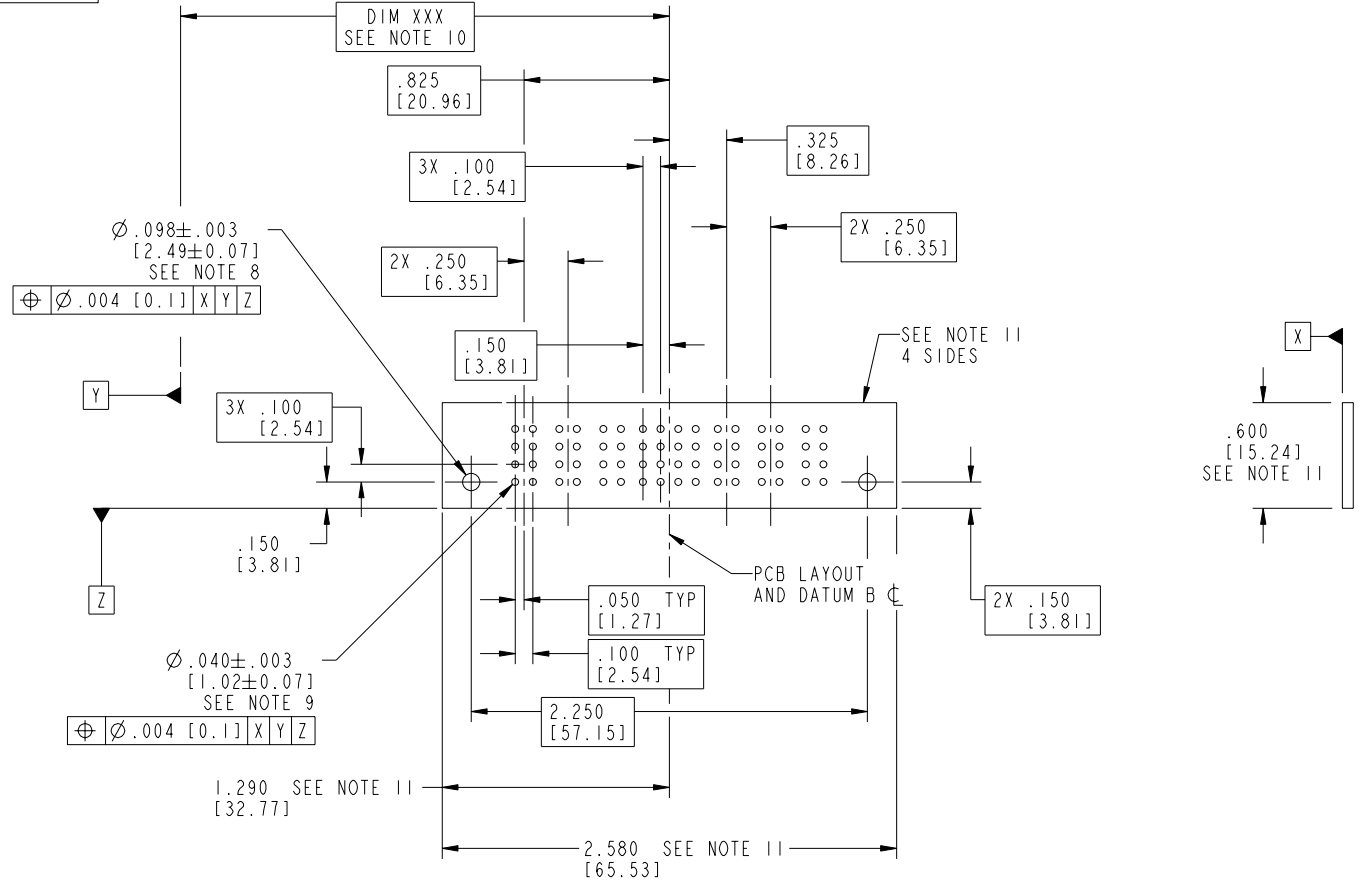
mat'l code SEE NOTE 2				tolerances unless otherwise specified		CUSTOMER		 www.fciconnect.com	
ltr	ecn no.	dr	date	linear	.XX±.01/0.XX±0.3	COPY		projection	
C				angles	.XXX±.005/0.XX±0.13			title	
				dr	.XXX±.0020/0.XX±0.051	INCH/MM		product family	
				enr	0°±2°	scale		PwrBlade	
				chr	CSHENG 6/7/05	1:1		code	
				appd	STEVEN WANG 6/7/05	A		213	
sheet index	revision sheet				VICTOR LIN 6/7/05	51710-014		sheet	
					JOSEPH HSIA 6/7/05			2 of 4	

cage code 22526

Tous droits strictement réservés. Reproduction ou communication à des tiers interdite sous quelque forme que ce soit sans autorisation écrite du propriétaire. Propriété de c FCI. Droits de reproduction FCI.

All rights strictly reserved. Reproduction or issue to third parties in any form whatever is not permitted without written authority from the proprietor. Property of FCI. Copyright FCI.

PRODUCT NUMBER
51710-014_-
Note: ③



mat'l code		SEE NOTE 2		tolerances unless otherwise specified		CUSTOMER		 www.fciconnect.com	
ltr	ecn no.	dr	date	linear	.XX±.01/0.X±0.3	COPY		title	
C					.XXX±.005/0.XX±0.13	projection		3P + 16S + 3P	
				angles	.XXX±.0020/0.XX±0.051			VERTICAL STB HEADER	
				dr	0°±2°	INCH/MM		product family	
				enr	CSHENG 6/7/05	A		PwrBlade	
				chr	STEVEN WANG 6/7/05	scale		code	
				appd	VICTOR LIN 6/7/05	1:1		213	
					JOSEPH HSIA 6/7/05			sheet	
sheet index	revision sheet							3 of 4	

cage code 22526

Pro/E

PDM: Rev:C

STATUS Released

Printed: Oct 08, 2006

Tous droits strictement réservés. Reproduction ou communication a des tiers interdite sous quelque forme que ce soit sans autorisation écrite du propriétaire. Propriété de c FCI. Droits de reproduction FCI.



All rights strictly reserved. Reproduction or issue to third parties in any form whatever is not permitted without written authority from the proprietor. Property of FCI. Copyright FCI.

PRODUCT NUMBER
51710-014__
Note: ③

- NOTES:
- DIMENSIONS AND TOLERANCES ARE IN ACCORDANCE WITH ASME Y14.5M, 1994 UNLESS OTHERWISE SPECIFIED.
- CONNECTOR NOTES:
- HOUSING MATERIAL: UL 94 V-0 GLASS FILLED HIGH-TEMP THERMOPLASTIC
POWER CONTACT MATERIAL: COPPER ALLOY
SIGNAL PIN MATERIAL: COPPER ALLOY
- PLATING:
51710-014,51710-014LF,PLATING SPEC SEE PRINT:100064183.
 - MANUFACTURER'S NAME, P/N, AND DATE CODE TO APPEAR ON THIS SURFACE.
 - PRODUCT SPECIFICATION GS-12-149
APPLICATION SPECIFICATION BUS-20-067.
 - PACKAGED IN TRAYS.
- PCB NOTES:
- ALL HOLE DIAMETERS ARE FINISHED HOLE SIZE.
 - MOUNTING HOLES, WHERE APPLICABLE, ARE UNPLATED.
 - $\varnothing .0453 \pm .0010$ [1.151 \pm 0.025] DRILLED HOLES PLATED WITH .0003 [0.008] MIN SnPb OVER .001 [0.03] TO .003 [0.08] Cu PLATING TO ACHIEVE $\varnothing .040 \pm .003$ [1.02 \pm .07] HOLE.
 - "DIM XXX" TO BE DETERMINED BY THE CUSTOMER.
 - CONNECTOR KEEP-OUT ZONE.

mat'l code				SEE NOTE 2				tolerances unless otherwise specified				CUSTOMER				 www.fciconnect.com					
ltr		ecn no.		dr		date		linear		.XX±.01/0.X±0.3		projection		COPY		title		3P + 16S + 3P		code	
C								.XXX±.005/0.XX±0.13		XXXX±.0020/0.XXX±0.051				INCH/MM		product family		PwrBlade		213	
								angles		0°±2°		scale		A		size		dwg no		sheet	
								dr		CSHENG 6/7/05		1:1		A		51710-014		4 of 4			
								enr		STEVEN WANG 6/7/05											
								chr		VICTOR LIN 6/7/05											
								appd		JOSEPH HSIA 6/7/05											
sheet index		revision sheet																			

cage code 22526 4

Pro/E