

VS-25-DEVNET


Order No.: 1652240

<http://eshop.phoenixcontact.de/phoenix/treeViewClick.do?UID=1652240>

D-SUB complete connector, for DeviceNet, shell size 3, plug, screw connection, unshielded, connection direction straight, IP67 degree of protection

DeviceNet™

Commercial data

GTIN (EAN)	 4 017918 929169
sales group	D503
Pack	1 pcs.
Customs tariff	85369010
Catalog page information	Page 24 (PC-2005)

Product notes

WEEE/RoHS-compliant since:
10/31/2006



<http://www.download.phoenixcontact.com>
Please note that the data given here has been taken from the online catalog. For comprehensive information and data, please refer to the user documentation. The General Terms and Conditions of Use apply to Internet downloads.

Technical data

Mechanical characteristics

Number of positions	5
Type of connection	Screw connection
Conductor cross-section	0.2 mm ² ... 2.5 mm ²
Connection cross-section AWG	24 ... 12
Cable exit	Angled
Type of cable	Round cable

Ambient temperature (operation)	-40 °C ... 80 °C
---------------------------------	------------------

Material data

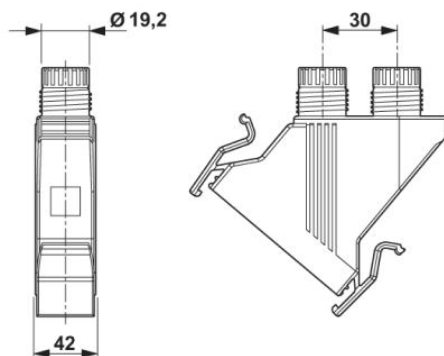
Inflammability class acc. to UL 94	V0
Housing material	PA
Contact carrier material	PA
Contact material	Cu alloy
Contact surface material	Gold-plated
Degree of protection	IP67

Electrical characteristics

Number of positions	5
Rated current	8 A
Surge voltage category	III
Pollution degree	3
Rated voltage (III/3)	250 V
Rated current	8 A

Diagrams/Drawings

Dimensioned drawing



D-SUB connector

Address

PHOENIX CONTACT Deutschland GmbH
Flachmarktstr. 8
32825 Blomberg, Germany
Phone +49 5235 3 12000
Fax +49 5235 3 41200
<http://www.phoenixcontact.de>



© 2011 Phoenix Contact
Technical modifications reserved;