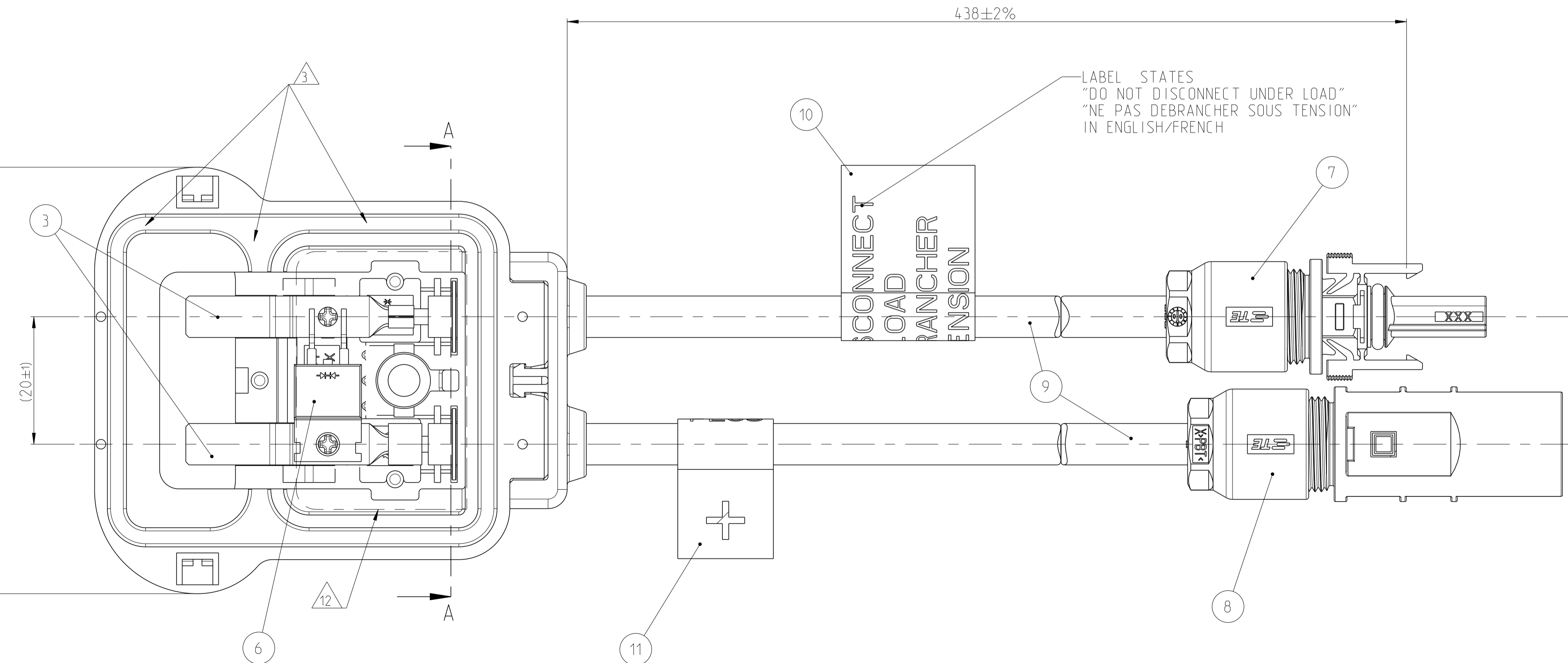
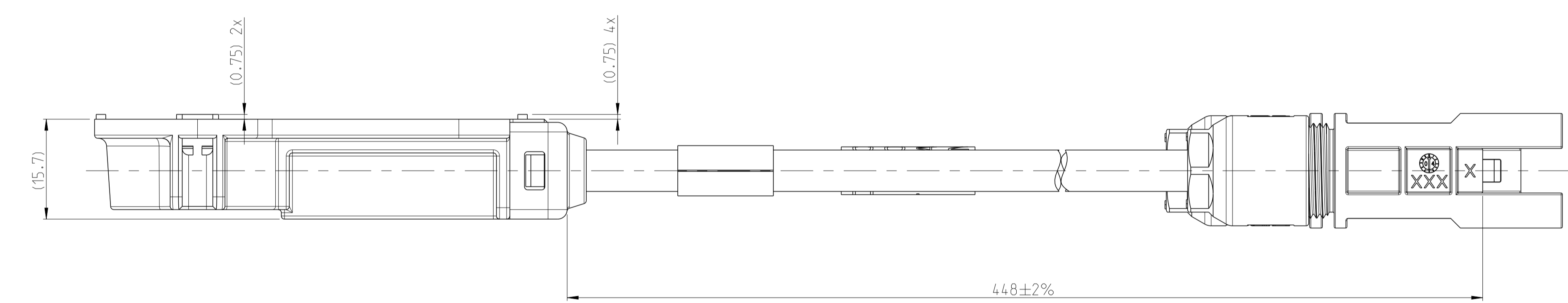
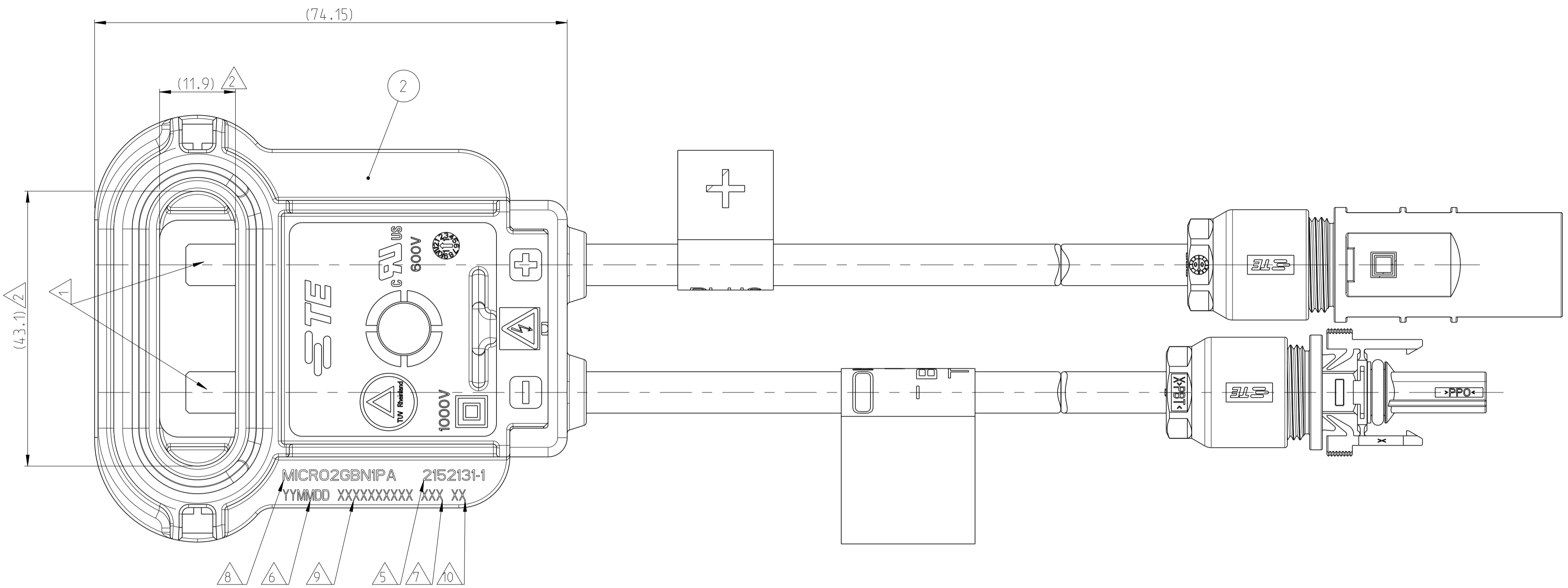
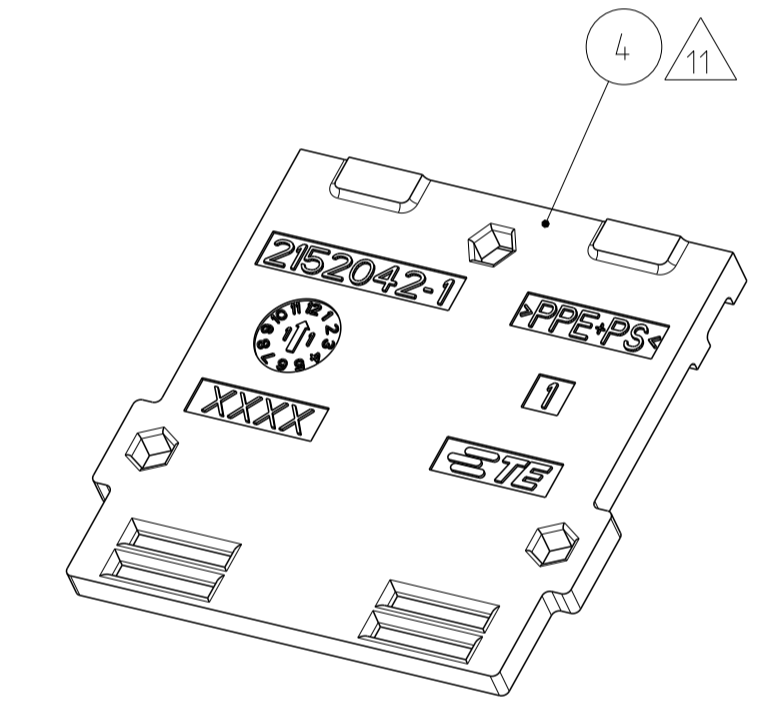


LOC	DIST	REVISIONS					
		P	LTN	DESCRIPTION	DATE	OWN	APVD
		B1		LASER PRINTER ADDED	10OCT2012	V.P	T.J
		C		BOTTOM COVER REMOVED FROM HOUSING	13FEB2015	KR	TD

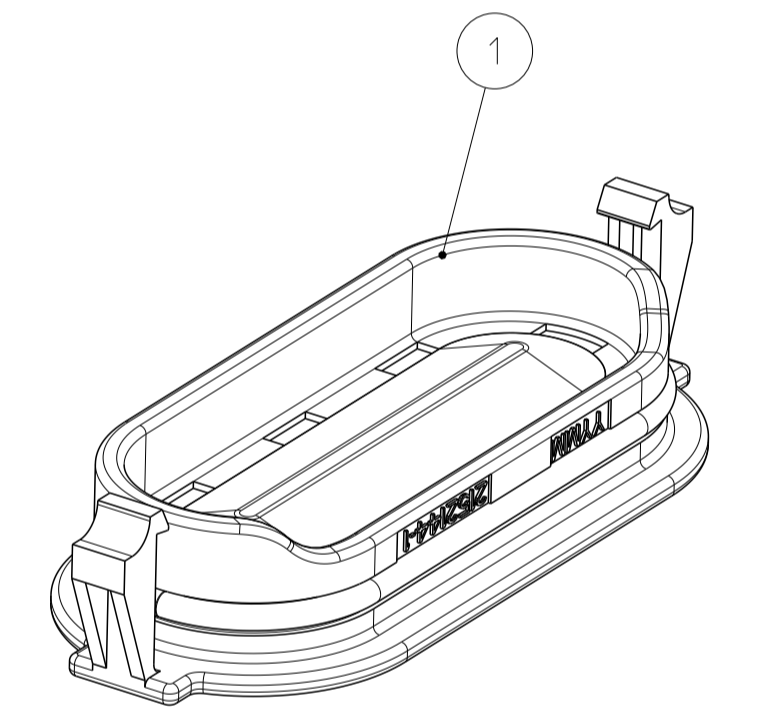


**MATERIAL:**  
 HOUSING: MODIFIED POLYPHENYLENE ETHER, COLOR: BLACK, UL94 5VA, F1 RATED.  
 CONTACT COVER: MODIFIED POLYPHENYLENE ETHER, COLOR: BLACK, UL94 5VA, F1 RATED.  
 CONNECTOR: POLYPHENYLENE OXIDE, COLOR: BLACK, UL94V-0, F1 RATED.  
 TERMINAL: TIN PLATED COPPER ALLOY.  
 DIODE VOLTAGE: 150VDC MAX.  
 CABLE: 4.0MM<sup>2</sup> DOUBLE INSULATED PV CABLE (UL & TUV APPROVED).

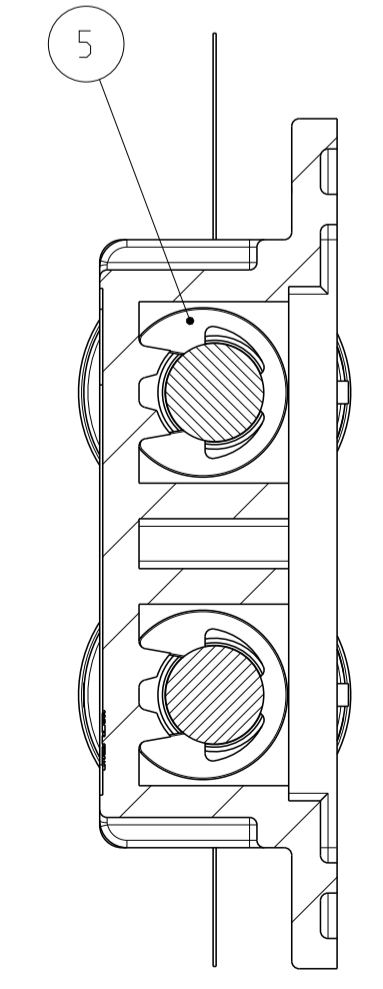
- REQUIREMENTS/RATINGS:**  
 ROHS COMPLIANT.  
 OPERATION TEMPERATURE: -40° TO +90°C  
 VOLTAGE: 1000 VDC TUV:600V UL.  
 CURRENT: 8 AMP MAX.
- △ THIS AREA TO BE FILLED WITH SHIN-ETSU KE-210F (OR EQUIVALENT) POTTING COMPOUND BY CUSTOMER, PRIOR TO FIELD INSTALLATION.
  - △ SEALANT GROOVE TO BE FILLED WITH DOW CORNING PV-804 ADHESIVE (OR EQUIVALENT) PRIOR TO PLACEMENT ON MOUNTING SURFACE.
  - △ CONTACT COVER INSTALLED AFTER POTTING CAVITY IS FILLED.
  - △ PART NUMBER.
  - △ PRODUCTION DATE (YYMMDD).
  - △ MANUFACTURING LOCATION CODE.
  - △ MODEL CODE ACCORDING TO TE-SPEC. 404-74000-1.
  - △ CONSECUTIVE SERIAL NUMBER.
  - △ TEST EQUIPMENT NUMBER.
  - △ BOTTOM COVER SHIPPED UNASSEMBLED TO HOUSING.
  - △ THIS AREA TO BE FILLED WITH POTTING COMPOUND BY CUSTOMER PRIOR TO FIELD INSTALLATION. POTTING VOLUME = 5.00 cm<sup>3</sup>.



BOTTOM COVER



CONTACT COVER  
Scale 2:1



Section A-A

PIECES	ITEM-NO.	DESCRIPTION	SURFACE COLOUR	MATERIAL
1	13	PV4 SOCKET CONNECTOR PRE-ASSEMBLED, PLUS CODED	-	-
1	12	PV4 PIN CONNECTOR PRE-ASSEMBLED, MINUS CODED	-	-
1	11	LABEL "PLUS", PN 1718078-1	WHITE	POLYESTER
1	10	LABEL (DO NOT DISCONNECT UNDER LOAD), PN 1718077-4	WHITE	POLYESTER
AR	AR	SOLAR CABLE DUAL RATED (TUV/UL) 4mm <sup>2</sup> /12 AWG, PN 1983530-2	BLACK	-
-	1	CONNECTOR (PIN), NEUTRAL CODED, PN 6-1394461-2	BLACK	PPE+PS
-	1	CONNECTOR (SOCKET), MINUS CODED, PN 1394462-4	BLACK	PPE+PS
1	6	BYPASS DIODE, SMD	-	-
2	5	E-RING	PLAIN	STAINLESS STEEL
1	4	COVER BOTTOM	BLACK	PPE+PS
2	3	CONTACT	TIN PLATED	CuSn
1	2	HOUSING MAIN NG, WITH STANDOFFS	BLACK	PPE+PS
1	1	CONTACT COVER	BLACK	PPE+PS

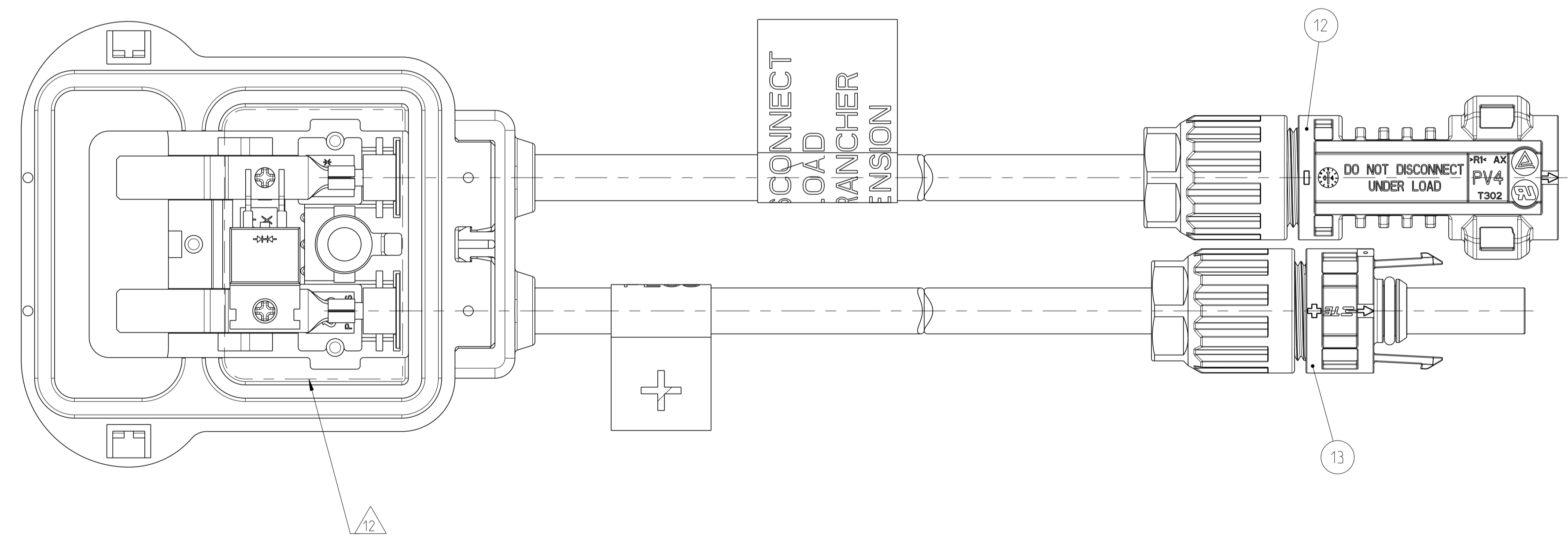
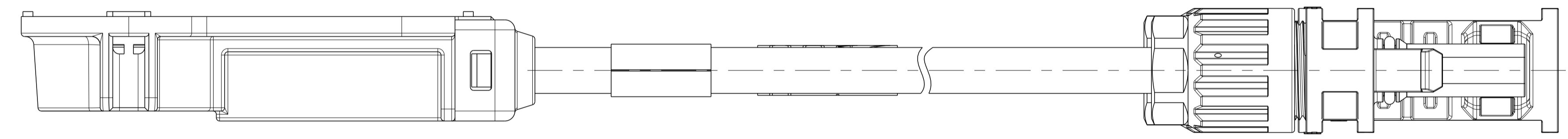
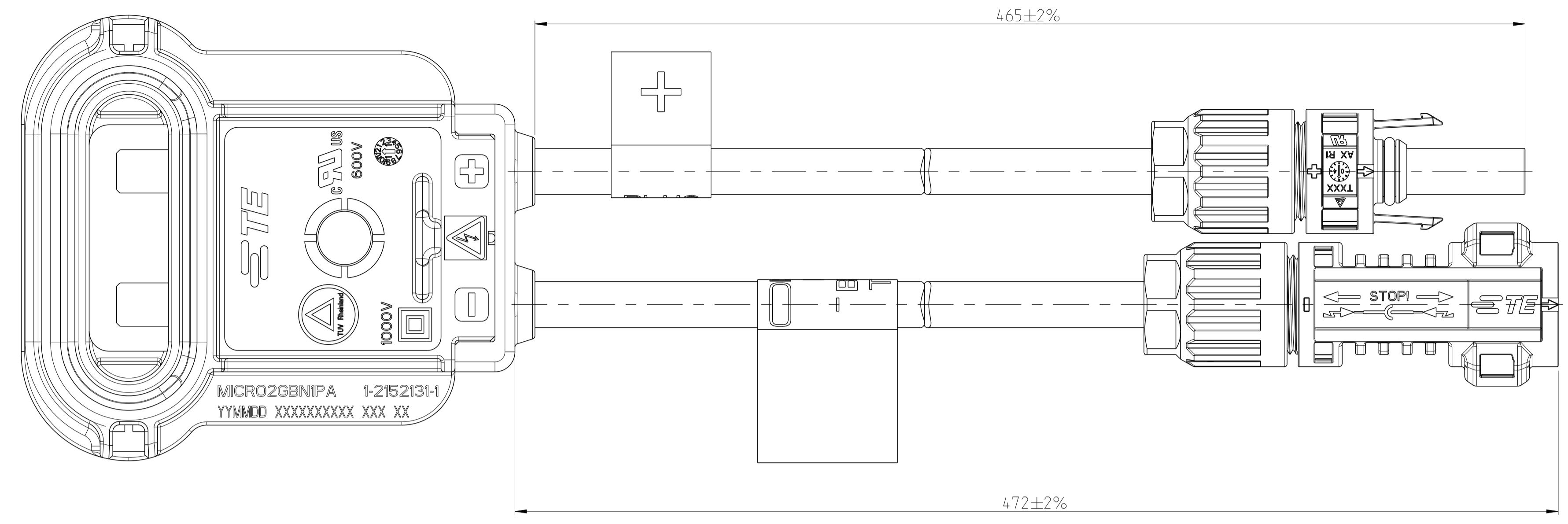
THIS DRAWING IS A CONTROLLED DOCUMENT. OWN: K. SALZMANN 13OCT2011  
 CHK: A.W. OBER 13OCT2011  
 APVD: A.W. OBER 13OCT2011

**TE** TE Connectivity

ASSEMBLY HOUSING  
 MICRO SOLARLOK NEXT GEN.

SIZE: A1 CAGE CODE: 00779 DRAWING NO: C=2152131  
 WEIGHT: - RESTRICTED TO: -  
 Customer Drawing SCALE: 2:1 SHEET: 1 OF 2 REV: C

LOC	DIST	REVISIONS					
		P	LTN	DESCRIPTION	DATE	DMN	APVD
A1	-	-	-	SEE SHEET 1	-	-	-



MISSING DIMENSION AND NOTES. PLEASE SEE SHEET No.1

1- -1 AS SHOWN

THIS DRAWING IS A CONTROLLED DOCUMENT.		DMN K.SALZMANN 130CT2011	TE Connectivity NAME ASSEMBLY HOUSING MICRO SOLARLOK NEXT GEN.
DIMENSIONS:		CHK A.W.ÖBER 130CT2011	
mm	TOLERANCES UNLESS OTHERWISE SPECIFIED:	APVD A.W.ÖBER 130CT2011	SIZE A1
0 PLC # 1 PLC # 2 PLC # 3 PLC # 4 PLC # ANGLES # FINISH #	0 PLC # 1 PLC # 2 PLC # 3 PLC # 4 PLC # ANGLES # FINISH #	PRODUCT SPEC	CAGE CODE 00779
MATERIAL		APPLICATION SPEC	DRAWING NO C=2152131
		WEIGHT	RESTRICTED TO
		Customer Drawing	SCALE 2:1 SHEET 2 OF 2 REV C