



### TS4995 1.2W fully differential audio power amplifier with selectable standby and 6db fixed gain - Evaluation board user guidelines

#### Introduction

This application note describes the DEMO TS4995, an evaluation board specifically designed for the TS4995 differential audio amplifier. In this document, you will find:

- a brief description of the TS4995 differential audio amplifier,
- a description of the evaluation board,
- a detailed list of evaluation board components,
- the layout of the evaluation board.

#### About the TS4995

The TS4995 is fully differential structure power audio amplifier which is capable of delivering 1.2W of continuous RMS output power into an 8Ω load at 5V. Due to its differential inputs, it exhibits outstanding noise immunity.

An external standby mode control reduces the supply current to less than 10nA. A STBY MODE pin allows the standby to be active High or Low. An internal thermal shutdown protection is also provided, making the device capable of sustaining short-circuits.

The TS4995 features an internal fixed gain at 6dB which reduces the number of external components on the application board, and the flip-chip package with 9 bumps allows maximum space saving.

Its key features are:

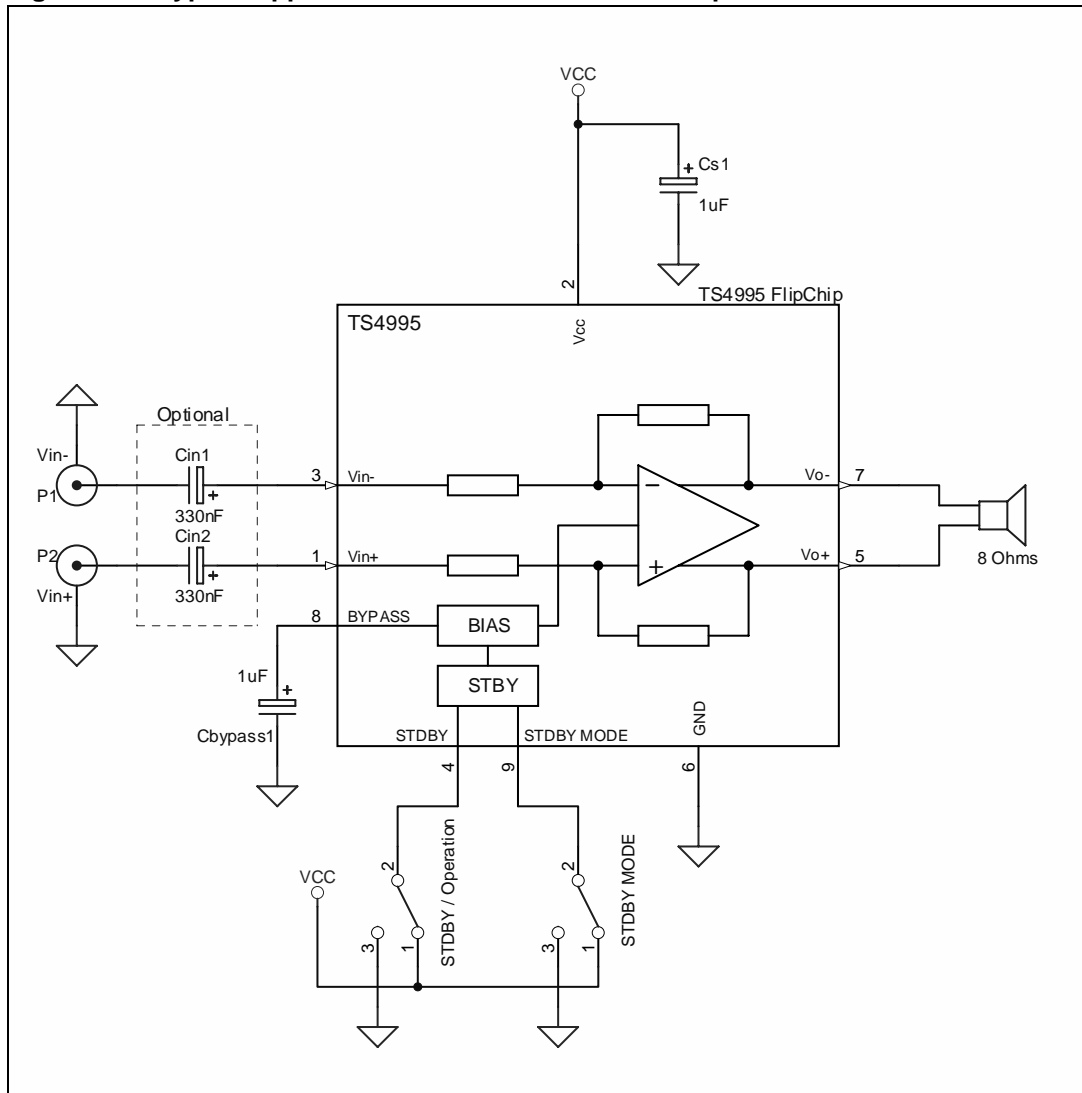
- Differential inputs
- 90dB PSRR @ 217Hz with grounded inputs
- Operating range from  $V_{CC} = 2.5V$  to 5.5V
- 1.2W rail to rail output power @  $V_{CC}=5V$ , THD+N=1%, F=1kHz, with 8Ω load
- 6dB integrated fixed gain
- Ultra-low consumption in standby mode (10nA)
- Selectable standby mode (active low or active high)
- Ultra-fast startup time: 10ms typ. at  $V_{CC}=3.3V$
- Available in 9-bump flip-chip (300mm bump diameter)
- Ultra-low pop & click

*Figure 1 on page 2* shows a typical application for the TS4995 amplifier.

For more detailed information about the TS4995, refer to the datasheet.

# 1 Typical application

Figure 1. Typical application for the TS4995 audio amplifier



## 2 Description of the evaluation board

The DEMO TS4995 is an evaluation board designed to help you evaluate the TS4995 low power differential audio amplifier.

This section explains how to evaluate the amplifier in a typical application configuration. Using the board, you can:

- set the amplifier in standby/operation mode,
- select standby mode (active low or active high),
- modify the input configuration from capacitor coupled to common mode feedback.

The Cn4 connector is used to select between standby or operation mode; and the Cn5 connector is used for standby to select between active low or active high. For example, in [Figure 2](#), the jumper that connects pin 2 and pin 3 of the Cn4 connector puts the device in standby mode, while the jumper that connects pin1 and pin 2 of the Cn5 connector determines that the standby is active high.

When the amplifier is used in common mode feedback input configuration, the input capacitors are shorted by placing jumpers on connectors Cn2 and Cn3.

**Figure 2. Evaluation board schematic diagram**

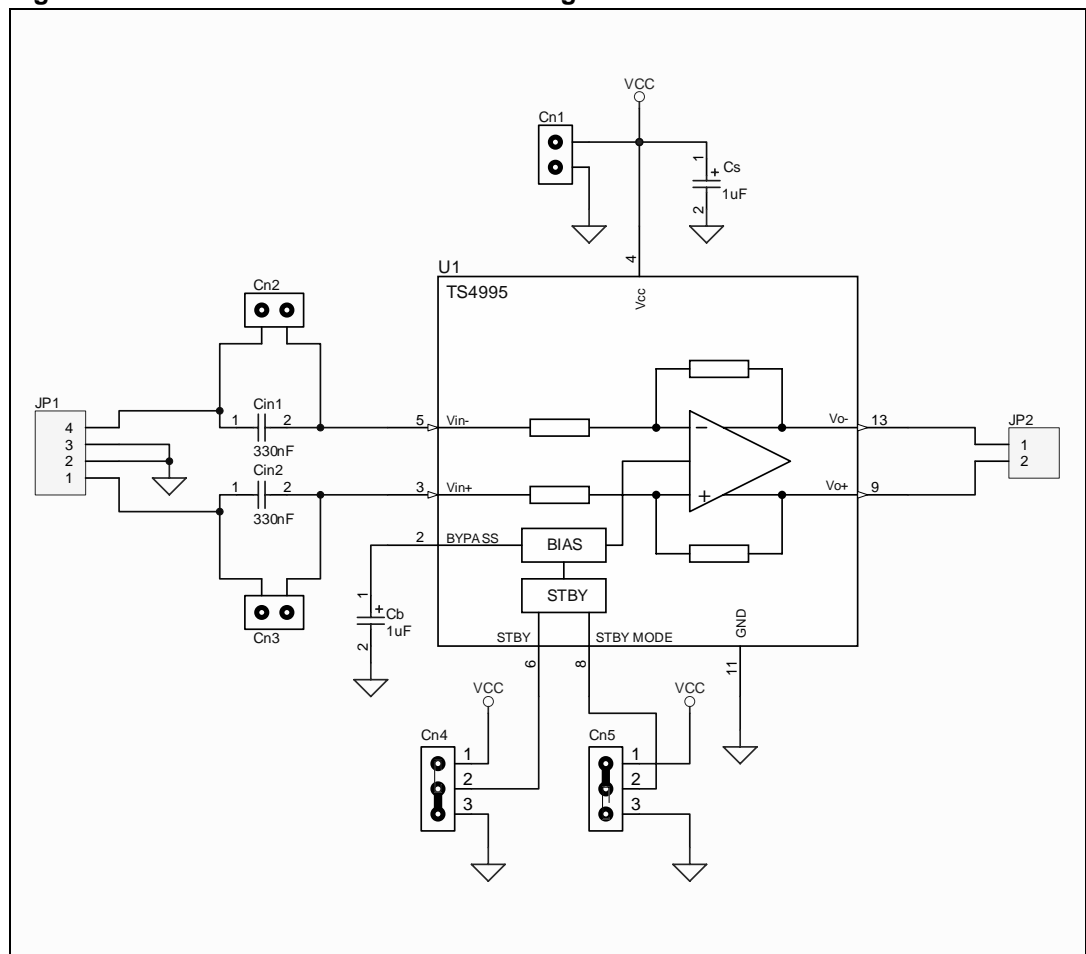
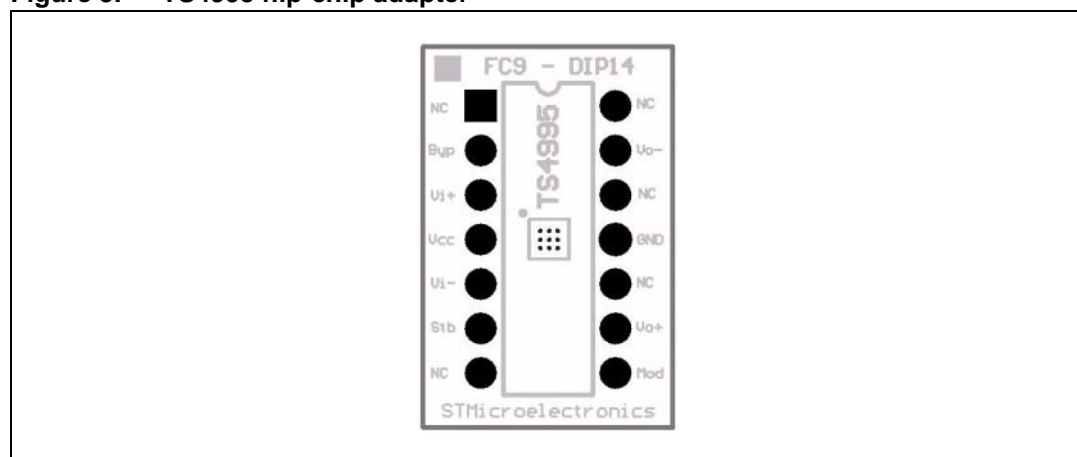


Table 1. Evaluation board bill of materials

Designation	Quantity	Description
U1	1	DIP14 socket with plugged flipchip to DIP adapter with the TS4995 audio amplifier
C1, C2	2	330nF/63V, ceramic capacitors
Cb, Cs	2	1 $\mu$ F/50V, electrolytic capacitor
---	2	Jumper, 2.54mm pitch (placed on Cn4 and Cn5 connectors)
Cn1, Cn2, Cn3	1	2 pins header, 2.54mm pitch
Cn4, Cn5	2	3 pins header, 2.54mm pitch
JP1	1	4 pins header, 2.54mm pitch
JP2	1	2 pins header, 2.54mm pitch

Figure 3. TS4995 flip-chip adapter



### 3 Evaluation board connectors

Connector(s)	Description
<b>Cn1</b>	Power connector ( $V_{CC}$ , GND). Power supply voltage from 2.5V to 5.5V.
<b>Cn2</b>	Connector used to short-circuit input capacitor $C_{in1}$ by placing jumper on it when the amplifier is used with common mode feedback input.
<b>Cn3</b>	Connector used to short-circuit input capacitor $C_{in2}$ by placing jumper on it when the amplifier is used with common mode feedback input.
<b>Cn4</b>	Standby control connector (GND, Standby, $V_{CC}$ ).
<b>Cn5</b>	Standby mode control connector ( $V_{CC}$ , Standby, GND). Allows you to select standby mode active high or low.
<b>JP1</b>	Input signal connector ( $V_{in-}$ , $V_{in+}$ , 2 x GND).
<b>JP2</b>	Output signal connector ( $V_{o-}$ , $V_{o+}$ ).

**Caution:** When you apply the power supply through Cn1, **DO NOT** invert the polarity because it would destroy the amplifier at U1.

## 4 Evaluation board layout

The following schematics show the layers and the top view of the evaluation board.

Figure 4. PCB top layer

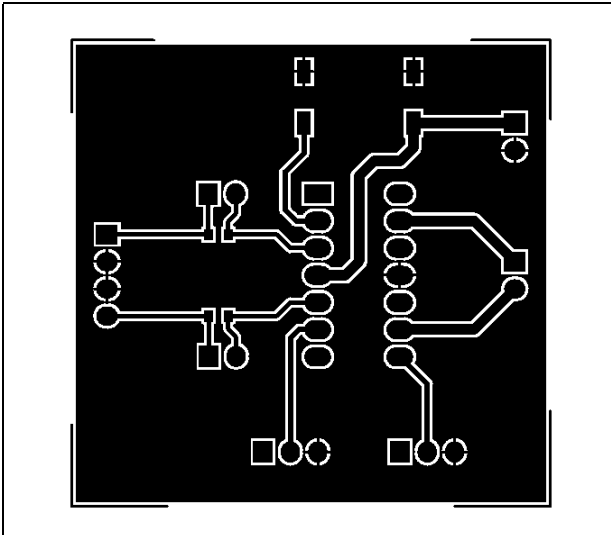


Figure 5. PCB bottom layer

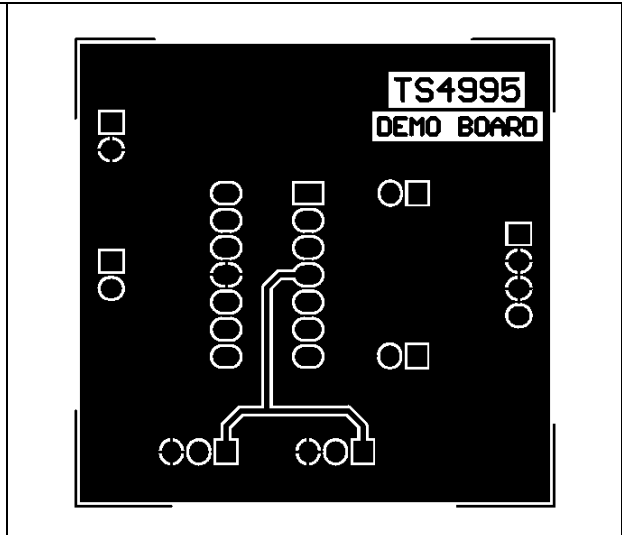
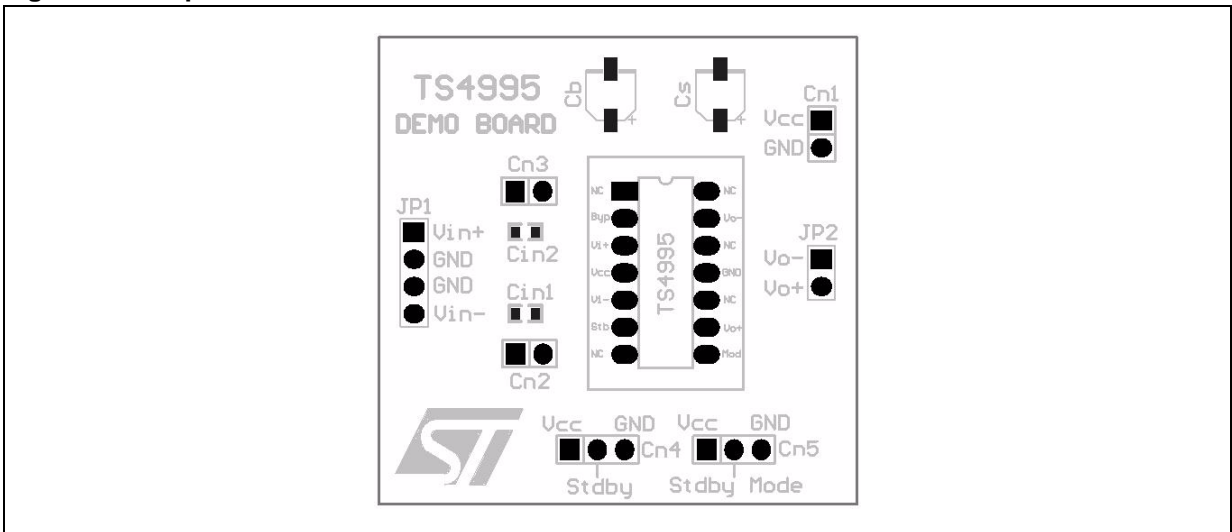


Figure 6. Top view of evaluation board



**Please Read Carefully:**

Information in this document is provided solely in connection with ST products. STMicroelectronics NV and its subsidiaries ("ST") reserve the right to make changes, corrections, modifications or improvements, to this document, and the products and services described herein at any time, without notice.

All ST products are sold pursuant to ST's terms and conditions of sale.

Purchasers are solely responsible for the choice, selection and use of the ST products and services described herein, and ST assumes no liability whatsoever relating to the choice, selection or use of the ST products and services described herein.

No license, express or implied, by estoppel or otherwise, to any intellectual property rights is granted under this document. If any part of this document refers to any third party products or services it shall not be deemed a license grant by ST for the use of such third party products or services, or any intellectual property contained therein or considered as a warranty covering the use in any manner whatsoever of such third party products or services or any intellectual property contained therein.

**UNLESS OTHERWISE SET FORTH IN ST'S TERMS AND CONDITIONS OF SALE ST DISCLAIMS ANY EXPRESS OR IMPLIED WARRANTY WITH RESPECT TO THE USE AND/OR SALE OF ST PRODUCTS INCLUDING WITHOUT LIMITATION IMPLIED WARRANTIES OF MERCHANTABILITY, FITNESS FOR A PARTICULAR PURPOSE (AND THEIR EQUIVALENTS UNDER THE LAWS OF ANY JURISDICTION), OR INFRINGEMENT OF ANY PATENT, COPYRIGHT OR OTHER INTELLECTUAL PROPERTY RIGHT.**

**UNLESS EXPRESSLY APPROVED IN WRITING BY AN AUTHORIZED ST REPRESENTATIVE, ST PRODUCTS ARE NOT RECOMMENDED, AUTHORIZED OR WARRANTED FOR USE IN MILITARY, AIR CRAFT, SPACE, LIFE SAVING, OR LIFE SUSTAINING APPLICATIONS, NOR IN PRODUCTS OR SYSTEMS WHERE FAILURE OR MALFUNCTION MAY RESULT IN PERSONAL INJURY, DEATH, OR SEVERE PROPERTY OR ENVIRONMENTAL DAMAGE. ST PRODUCTS WHICH ARE NOT SPECIFIED AS "AUTOMOTIVE GRADE" MAY ONLY BE USED IN AUTOMOTIVE APPLICATIONS AT USER'S OWN RISK.**

Resale of ST products with provisions different from the statements and/or technical features set forth in this document shall immediately void any warranty granted by ST for the ST product or service described herein and shall not create or extend in any manner whatsoever, any liability of ST.

ST and the ST logo are trademarks or registered trademarks of ST in various countries.

Information in this document supersedes and replaces all information previously supplied.

The ST logo is a registered trademark of STMicroelectronics. All other names are the property of their respective owners.

© 2007 STMicroelectronics - All rights reserved

STMicroelectronics group of companies

Australia - Belgium - Brazil - Canada - China - Czech Republic - Finland - France - Germany - Hong Kong - India - Israel - Italy - Japan - Malaysia - Malta - Morocco - Singapore - Spain - Sweden - Switzerland - United Kingdom - United States of America

[www.st.com](http://www.st.com)