

# HDP Series Micro Mini Side Actuated Surface Mount Detect Switches



## Features/Benefits

- Low profile
- Side actuation
- Right and left options available
- Low actuation force
- Lead free and halogen free

## Typical Applications

- Consumer electronics
- Computers
- Medical devices
- Mobile Communications
- ATCA and MicroTCA devices

## Specifications

CONTACT RATING: 1 mA 5 VDC  
 MECHANICAL AND ELECTRICAL LIFE: 100,000 cycles min.  
 CONTACT RESISTANCE: < 500 m Ω initial.  
 INSULATION RESISTANCE: > 100 M Ω  
 OPERATING TEMPERATURE: -20°C to + 70°C  
 STORAGE TEMPERATURE: -30°C to + 80°C  
 PACKAGING: tape & reel; 2,500 per reel.  
 TRAVEL:  
 Pre-travel 0.15 mm min.  
 "ON" starting position 2.96 +/- 0.25 mm  
 Total: 1.3 mm  
 Mechanical: 1.9 mm

## Materials

BASE: PA 46 (UL94HB) - halogen free  
 ACTUATOR: PA 46 (UL94HB) - halogen free  
 HDP001R - black body/actuator  
 HDP001L - grey body/actuator  
 MOVABLE CONTACTS: Stainless Steel, Silver over nickel plate.  
 FIXED CONTACTS/TERMINALS: Phosphor Bronze, Silver plate.

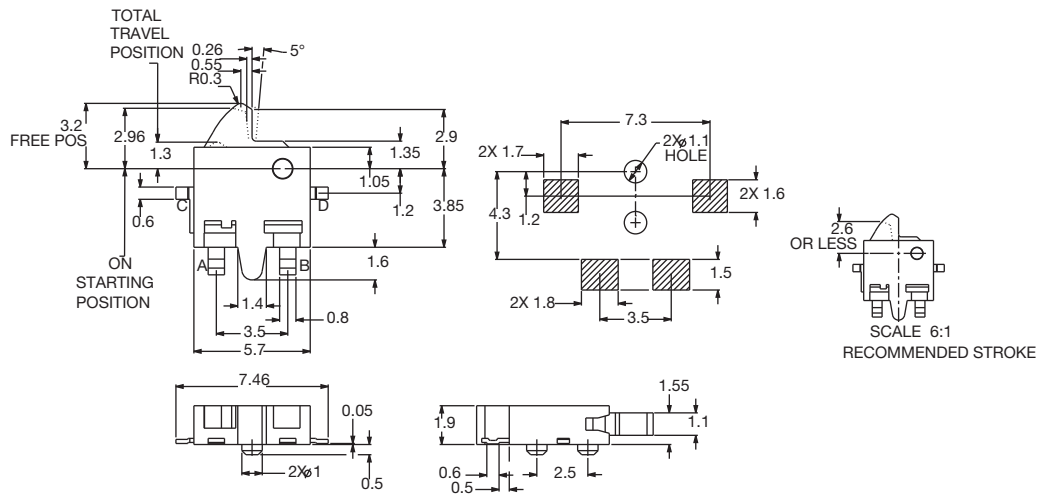
**NOTE:** Specifications and materials listed above are for switches with standard options. For information on specific and custom switches, consult Customer Service Center.

## Build-A-Switch

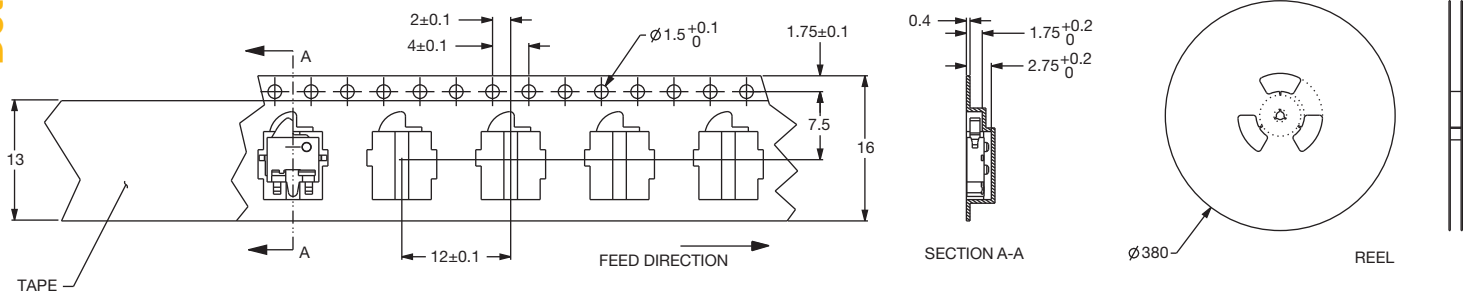
Complete part numbers for HDP Series are shown below.



PART NUMBER	PACKAGING	SCHEMATIC
<b>HDP001R</b>	TAPE & REEL	
Black body/ actuator		



Detect

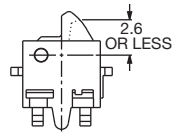
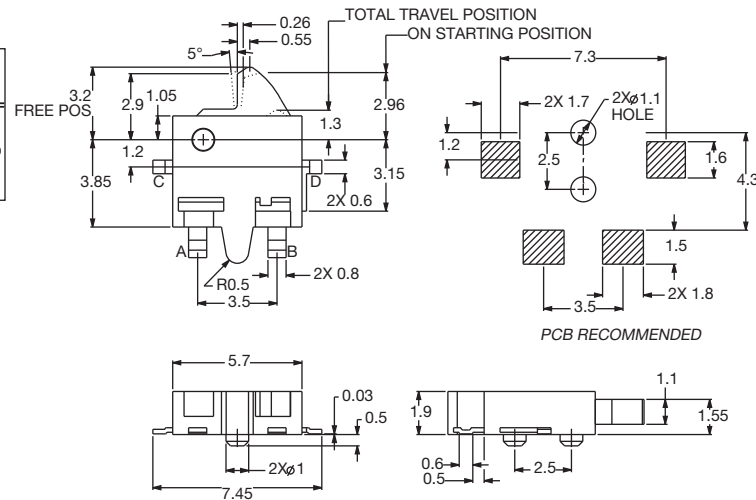


Dimensions are shown: mm  
 Specifications and dimensions subject to change

# HDP Series Micro Mini Side Actuated Surface Mount Detect Switches



PART NUMBER	PACKAGING	SCHEMATIC
<b>HDP001L</b>	TAPE & REEL	
Grey body/ actuator		



SCALE 6:1  
RECOMMENDED STROKE

