

NOTES:

1.0 ELECTRICAL SPECIFICATIONS:

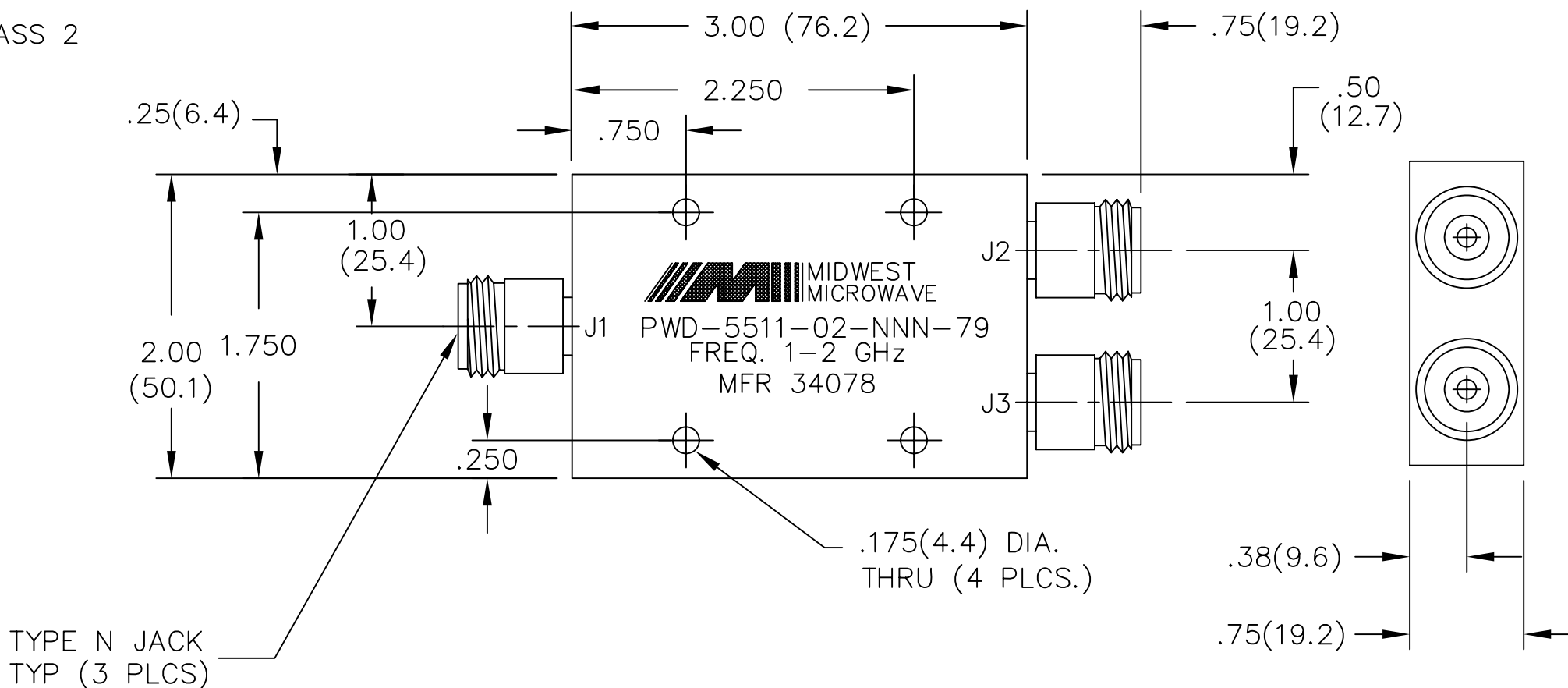
- 1.1 FREQUENCY RANGE: 1.0 to 2.0 GHz
- 1.2 INSERTION LOSS: 0.4dB MAX.
- 1.3 ISOLATION: 20dB MIN.
- 1.4 VSWR (MAX): 1.25:1
- 1.5 OUTPUT UNBALANCE:
  - 1.5.1 AMPLITUDE: 0.20dB MAX.
  - 1.5.2 PHASE: 2° MAX.
- 1.6 MAXIMUM INPUT POWER: 3 WATTS

2.0 FINISHING

GREY OVER MIL-E-15090 TYPE II, CLASS 2  
 OVER MIL-C-5541 CLASS 3A  
 MEETS MIL-F-14072  
 MEETS MIL-E-5400

3.0 MARKING: MARK UNIT AS SHOWN  
 (REF.: SLK-08092-82-09)

4.0 DIMENSIONS IN PARENTHESIS ARE  
 IN MILLIMETERS.



MODEL NUMBER	PWD-5511-02-NNN-79
REV.	A

REV.	-	A
DESCRIPTION	RELEASED	ECN 19247
DATE	11/20/95	6/2/03

UNLESS OTHERWISE NOTED DIMENSIONS ARE IN INCHES AND TOLERANCES ARE:  3 PLACE DECIMALS ±.005 2 PLACE DECIMALS ±.02 FRACTIONS ±1/64 PARALLELITY: T.I.R. _____ FLATNESS: T.I.R. _____ CONCENTRICITY: T.I.R. _____ ANGLES AND PERPENDICULARITY: ±1°	FSCM NO. <b>34078</b>	<b>MIDWEST MICROWAVE</b>	
	NOTICE: The information contained in this drawing is proprietary and must not be used without the permission of Midwest Microwave		TITLE POWER DIVIDER
DRAWN/DATE A.BEATTY 11/20/95	ENG./DATE J.O'NEIL 11/20/95	DRAWING NUMBER PWD-5511-02-NNN-79	
CHECKED/DATE	APPROVED/DATE	SCALE: 1=1	SHEET 1 of 1