

4

3

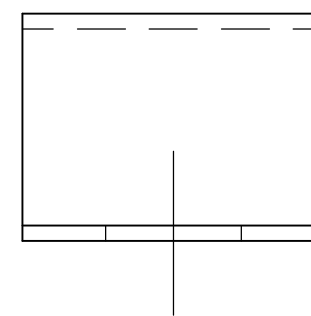
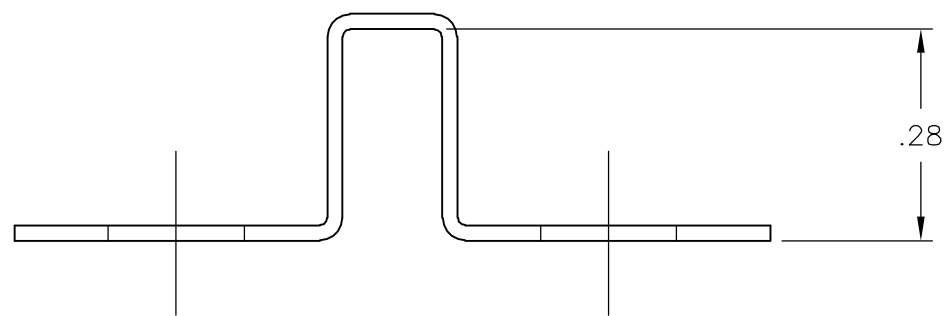
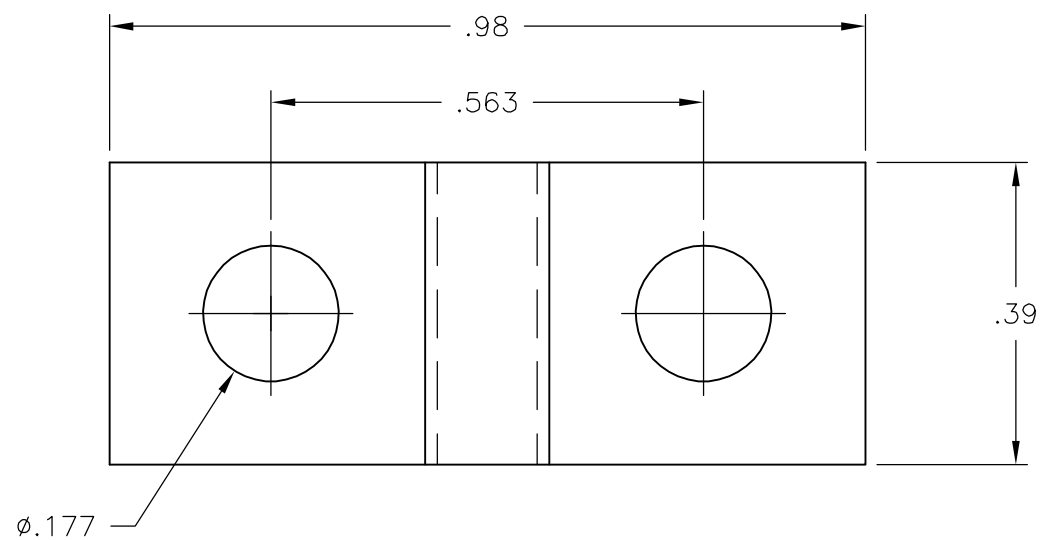
2

1

THIS DRAWING IS UNPUBLISHED. RELEASED FOR PUBLICATION
© COPYRIGHT BY TYCO ELECTRONICS CORPORATION. ALL RIGHTS RESERVED.

LOC	DIST	REVISIONS			
P	LTR	DESCRIPTION	DATE	DWN	APVD
FT	0	A	REVISED PER ECO-07-005435	3/15/07	SS SRY

- ① MATERIAL: .020 THICK, BRASS.
- ② FINISH: BRIGHT TIN PLATE.



1776986-1
PART NUMBER

THIS DRAWING IS A CONTROLLED DOCUMENT.		DWN S SCHLEGEL 1/10/07	Tyco Electronics Corporation Harrisburg, PA 17105-3608														
DIMENSIONS: INCHES		CHK S YODER 1/10/07															
TOLERANCES UNLESS OTHERWISE SPECIFIED:		APVD S YODER 1/10/07	NAME .563 JUMPER, RING TONGUE, LOW BARRIER STYLE														
<table border="0"> <tr><td>0 PLC</td><td>± 0.3</td></tr> <tr><td>1 PLC</td><td>± 0.25</td></tr> <tr><td>2 PLC</td><td>± 0.12</td></tr> <tr><td>3 PLC</td><td>± -</td></tr> <tr><td>4 PLC</td><td>± -</td></tr> <tr><td>ANGLES</td><td>± 3'</td></tr> </table>		0 PLC	± 0.3	1 PLC	± 0.25	2 PLC	± 0.12	3 PLC	± -	4 PLC	± -	ANGLES	± 3'	PRODUCT SPEC -	APPLICATION SPEC -		
0 PLC	± 0.3																
1 PLC	± 0.25																
2 PLC	± 0.12																
3 PLC	± -																
4 PLC	± -																
ANGLES	± 3'																
MATERIAL -	FINISH -	WEIGHT -	SIZE A3	CAGE CODE 00779	DRAWING NO C-1776986	RESTRICTED TO -											
CUSTOMER DRAWING			SCALE 4:1	SHEET 1 OF 1	REV A												