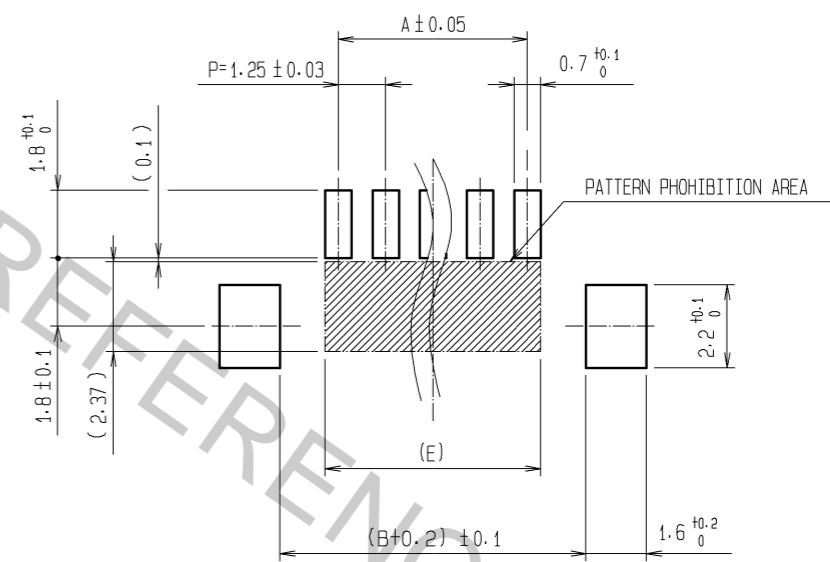


CODE No.	CONTACT	A	B	C	D	E	F
CL536-0401-2-21	2	1.25	4.15	7.15	5.65	1.95	2.2
CL536-0402-5-21	3	2.5	5.4	8.4	6.9	3.2	3.45
CL536-0403-8-21	4	3.75	6.65	9.65	8.15	4.45	3.1
CL536-0404-0-21	5	5.0	7.9	10.9	9.4	5.7	4.35
CL536-0405-3-21	6	6.25	9.15	12.15	10.65	6.95	5.6
CL536-0406-6-21	7	7.5	10.4	13.4	11.9	8.2	6.85
CL536-0407-9-21	8	8.75	11.65	14.65	13.15	9.45	8.1
CL536-0408-1-21	9	10.0	12.9	15.9	14.4	10.7	9.35
CL536-0409-4-21	10	11.25	14.15	17.15	15.65	11.95	10.6
CL536-0410-3-21	11	12.5	15.4	18.4	16.9	13.2	11.85
CL536-0411-6-21	12	13.75	16.65	19.65	18.15	14.45	13.1
CL536-0413-1-21	14	16.25	19.15	22.15	20.65	16.95	15.6
CL536-0414-4-21	15	17.5	20.4	23.4	21.9	18.2	16.85

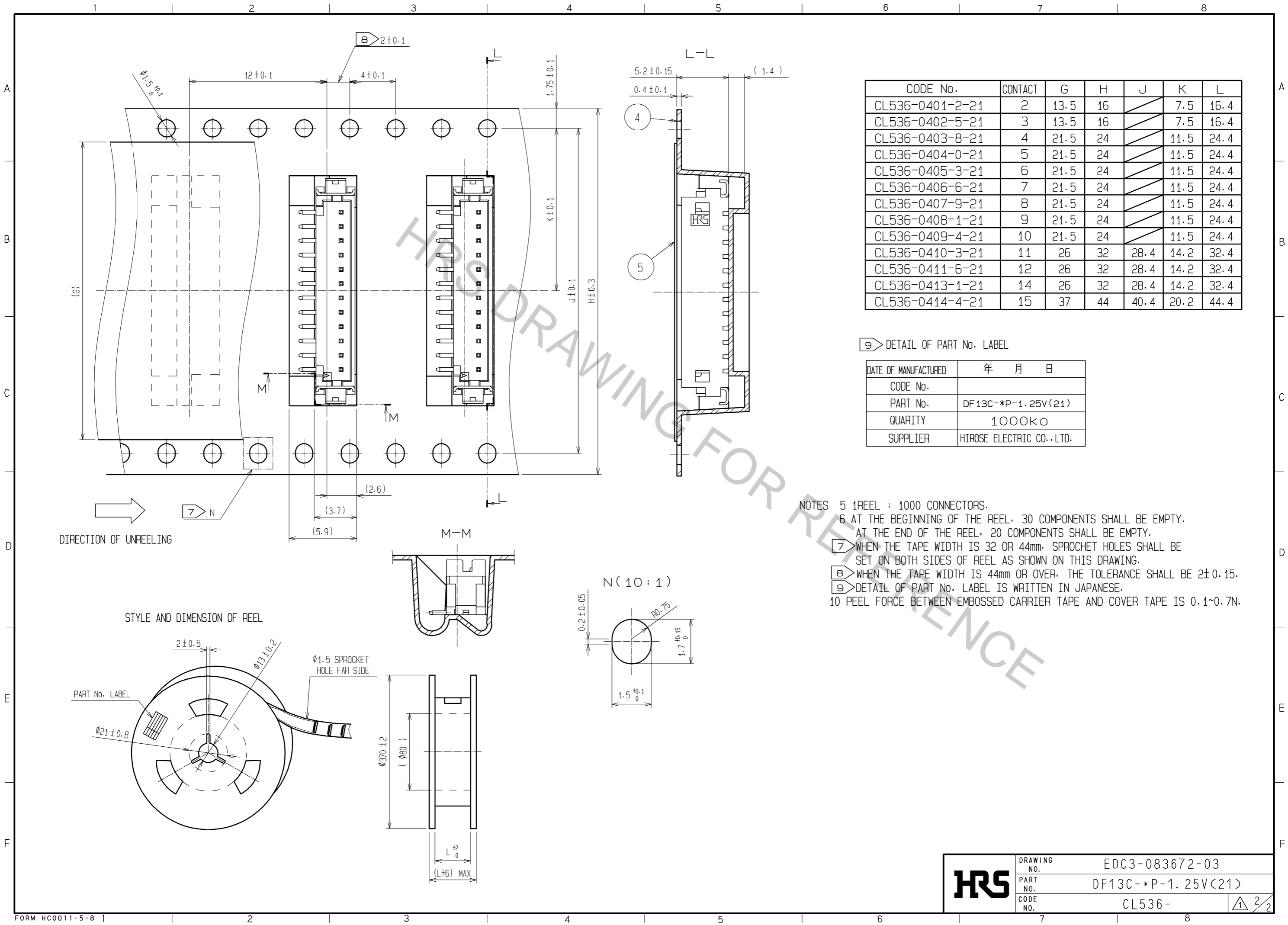
RECOMMENDED PATTERN



- NOTES
- 1 WHEN THIS CONNECTOR MATES WITH DF13-*S-1.25C, THE MATING LENGTH IS 5.8mm.
 - 2 WHEN THIS CONNECTOR HAS TWO OR THREE CONTACTS, THE LOCK SHALL BE SET AT THE CENTER OF HOUSING. IF MORE THAN FOUR, THE TWO LOCKS SHALL BE SET AS SHOWN ON THIS DRAWING.
 - 3 LEAD CO-PLANARITY INCLUDING REINFORCED METAL FITTINGS SHALL BE WITHIN 0.1mm.
 - 4 AREA TO PICK AND PLACE.

NO.	MATERIAL	FINISH	REMARKS	NO.	MATERIAL	FINISH	REMARKS
3	PHOSPHOR BRONZE	SURFACE: TIN PLATED 1μm min.		5	POLYESTER		COVER TAPE·CLEAR
2	BRASS	SURFACE: TIN PLATED 1μm min.		4	PS		EMBOSSD CARRIER TAPE·CLEAR
1	POLYAMIDE	UL94V-0·(BEIGE)					

UNITS mm		SCALE 5 : 1	COUNT 8	DESCRIPTION OF REVISIONS DIS-H-005399	DESIGNED TS. KUMAZAWA	CHECKED HK. UMEHARA	DATE 10.12.14
APPROVED : TY. OMA 05.10.31				DRAWING NO. EDC3-083672-03			
CHECKED : HK. UMEHARA 05.10.31				PART NO. DF13C-*P-1.25V(21)			
DESIGNED : TS. KUMAZAWA 05.10.31				CODE NO. CL536-			
DRAWN : AK. MIURA 05.10.27							



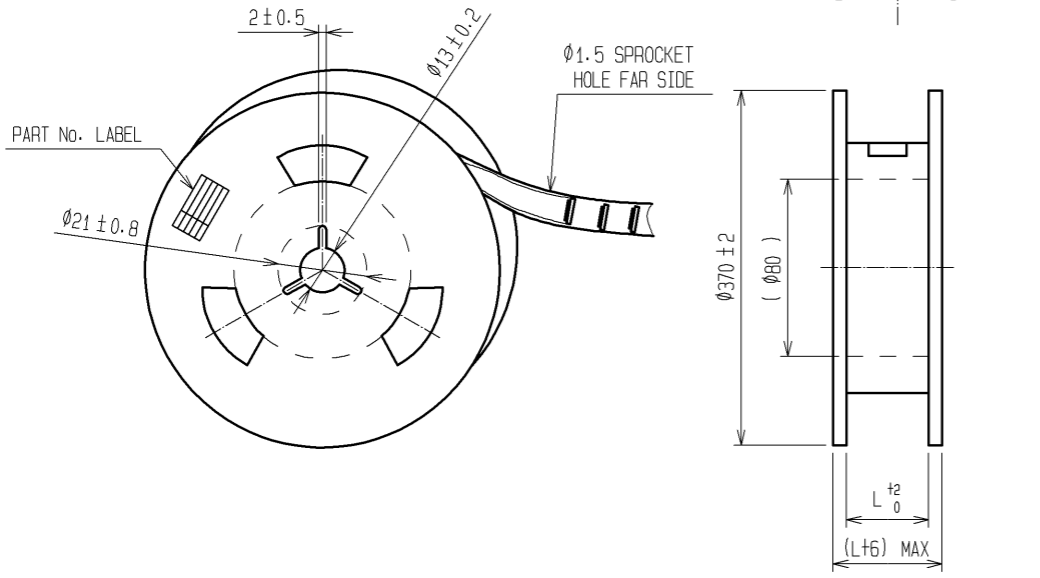
CODE No.	CONTACT	G	H	J	K	L
CL536-0401-2-21	2	13.5	16	/	7.5	16.4
CL536-0402-5-21	3	13.5	16	/	7.5	16.4
CL536-0403-8-21	4	21.5	24	/	11.5	24.4
CL536-0404-0-21	5	21.5	24	/	11.5	24.4
CL536-0405-3-21	6	21.5	24	/	11.5	24.4
CL536-0406-6-21	7	21.5	24	/	11.5	24.4
CL536-0407-9-21	8	21.5	24	/	11.5	24.4
CL536-0408-1-21	9	21.5	24	/	11.5	24.4
CL536-0409-4-21	10	21.5	24	/	11.5	24.4
CL536-0410-3-21	11	26	32	28.4	14.2	32.4
CL536-0411-6-21	12	26	32	28.4	14.2	32.4
CL536-0413-1-21	14	26	32	28.4	14.2	32.4
CL536-0414-4-21	15	37	44	40.4	20.2	44.4

9) DETAIL OF PART No. LABEL

DATE OF MANUFACTURED	年 月 日
CODE No.	
PART No.	DF13C-*P-1.25V(21)
QUANTITY	1000K0
SUPPLIER	HIROSE ELECTRIC CO.,LTD.

- NOTES
- 5 1REEL : 1000 CONNECTORS.
 - 6 AT THE BEGINNING OF THE REEL, 30 COMPONENTS SHALL BE EMPTY.
AT THE END OF THE REEL, 20 COMPONENTS SHALL BE EMPTY.
 - 7 WHEN THE TAPE WIDTH IS 32 OR 44mm, SPROCKET HOLES SHALL BE SET ON BOTH SIDES OF REEL AS SHOWN ON THIS DRAWING.
 - 8 WHEN THE TAPE WIDTH IS 44mm OR OVER, THE TOLERANCE SHALL BE 2 ± 0.15 .
 - 9) DETAIL OF PART No. LABEL IS WRITTEN IN JAPANESE.
 - 10 PEEL FORCE BETWEEN EMBOSSED CARRIER TAPE AND COVER TAPE IS $0.1\sim 0.7N$.

STYLE AND DIMENSION OF REEL



HRS	DRAWING NO.	EDC3-083672-03
	PART NO.	DF13C-*P-1.25V(21)
	CODE NO.	CL536-