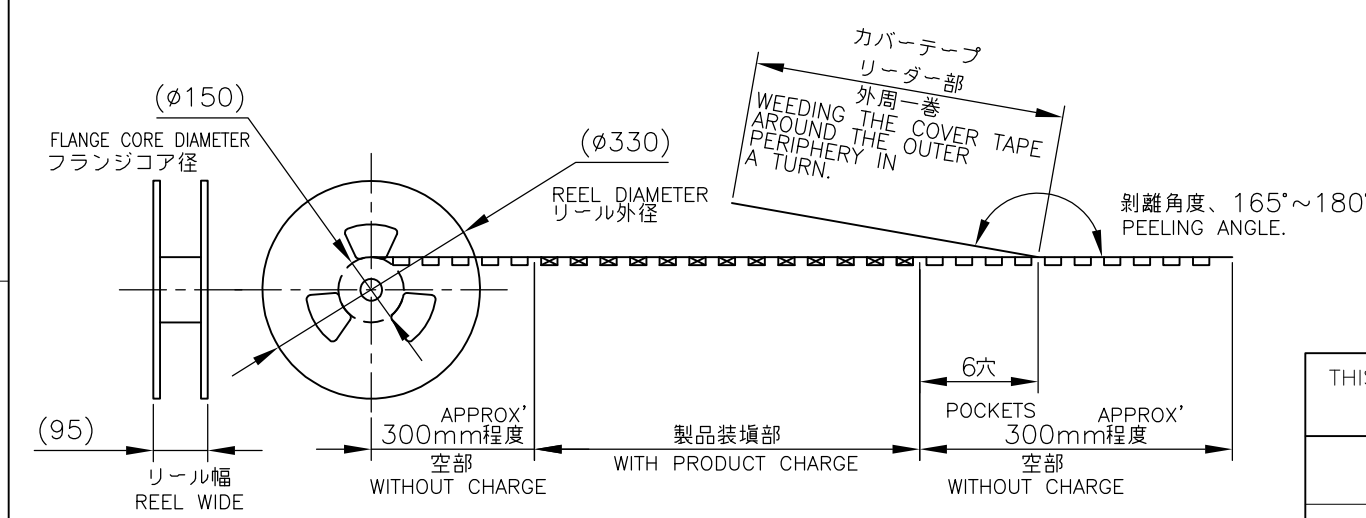
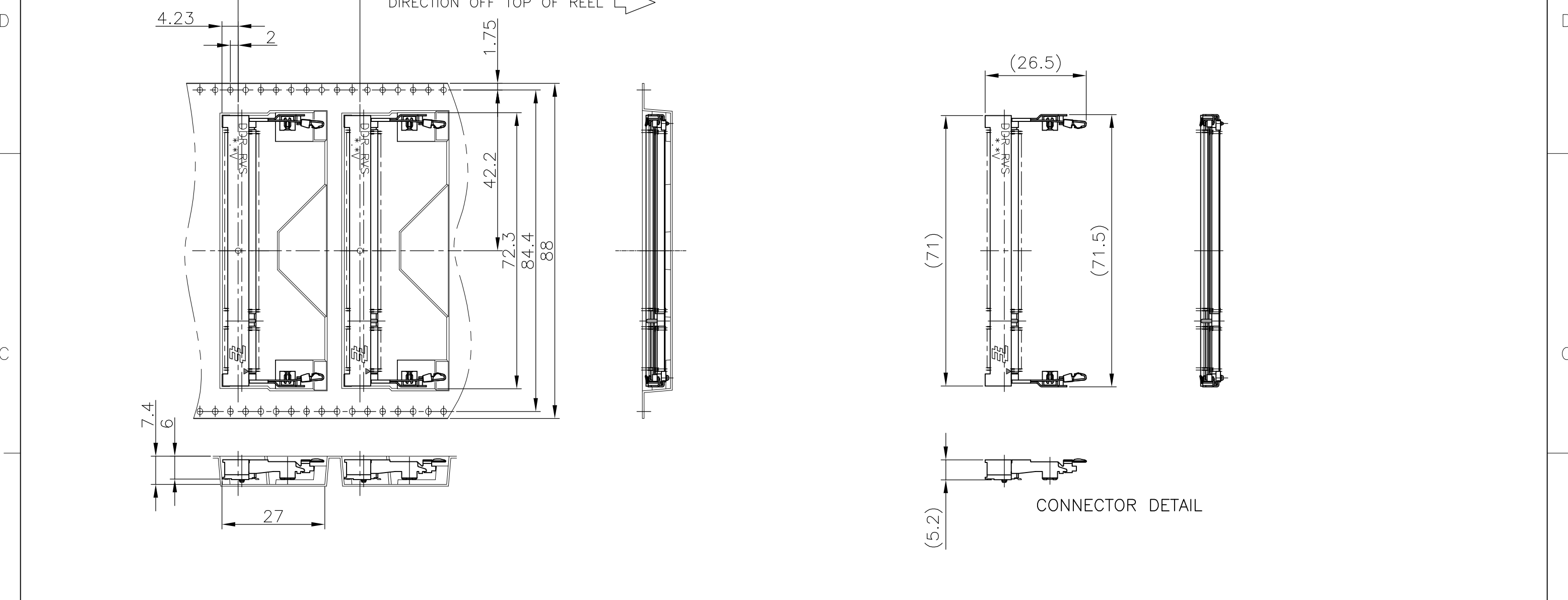


THIS DRAWING IS UNPUBLISHED. RELEASED FOR PUBLICATION DEC ,2001.
 © COPYRIGHT 2001 By - ALL RIGHTS RESERVED.

LOC	DIST	REVISIONS					
		P	LTR	DESCRIPTION	DATE	DWN	APVD
J			D2	REVISED PER ECO-11-005033	11MAR11	RK	HMR



鉛フリー
LEAD FREE

1.8V (DDR2)	150EA/REEL	1565712-4	1565918-4
2.5V (DDR1)	150EA/REEL	1565712-3	1565918-1
POWER SUPPLY (TYPE)	QTY	CONNECTOR P/N	P/N

THIS DRAWING IS A CONTROLLED DOCUMENT.

DWN B.WONG 20JUL10	TE Connectivity EMBOSS ASSEMBLY DDR1 & DDR2 SODIMM SOCKET 200P STANDARD PROFILE REVERSE TYPE
CHK C.WANG 20JUL10	
APVD S.YAO 20JUL10	
NAME 名称	
DIMENSIONS: 単位: 耗 mm	PRODUCT SPEC 製品規格 108-5701
TOLERANCES UNLESS OTHERWISE SPECIFIED: 一般公差	APPLICATION SPEC 取付適用規格
0 PLC ± 0.3	SIZE A3
1 PLC ± 0.3	CAGE CODE 00779
2 PLC ± 0.3	DRAWING NO C-1565918
3 PLC ± 0.3	RESTRICTED TO
4 PLC ± 0.3	
ANGLES ± 5'	
MATERIAL 材料	WEIGHT
FINISH 仕上	CUSTOMER DRAWING
	SCALE 尺度 1:1
	SHEET 1 OF 1
	REV D2